

4

3

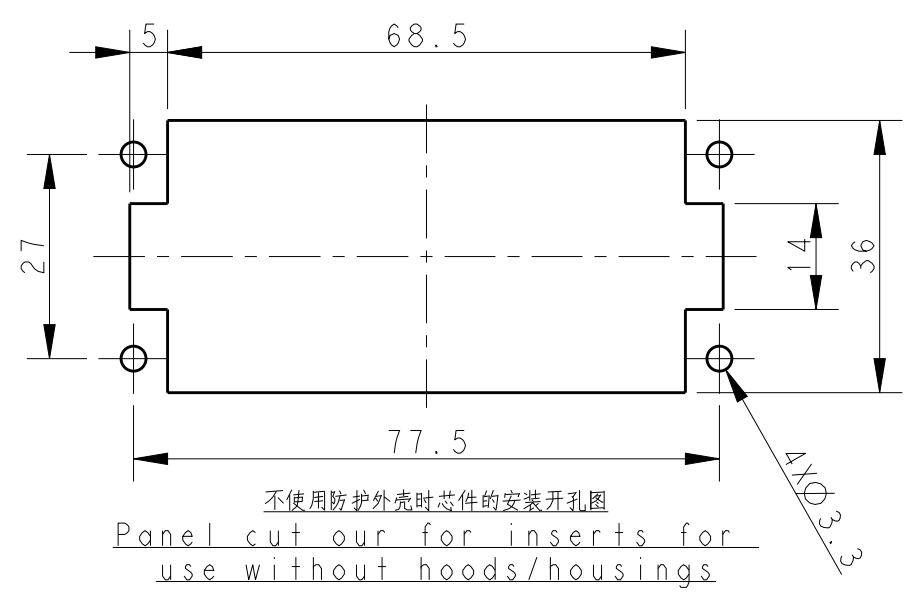
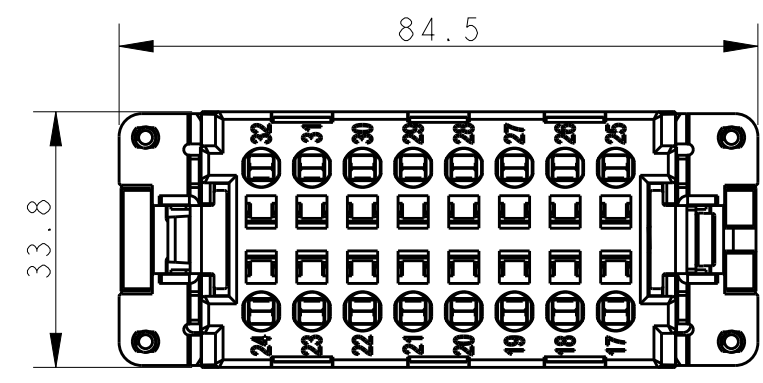
2

1

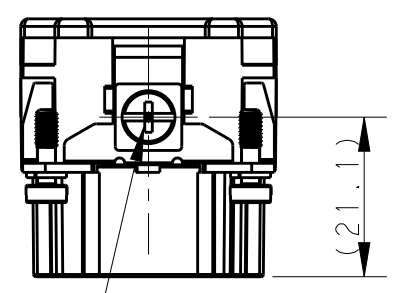
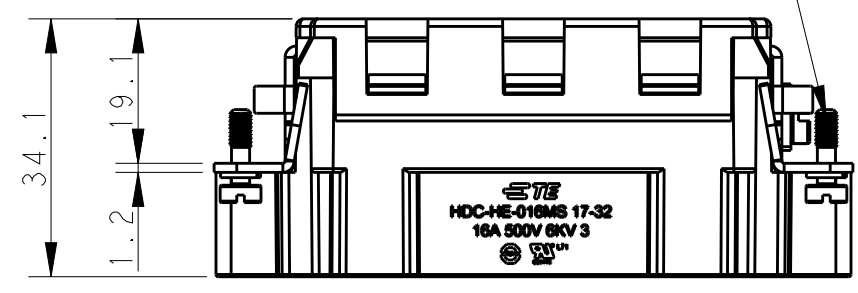
THIS DRAWING IS UNPUBLISHED. RELEASED FOR PUBLICATION 20
© COPYRIGHT 20 BY - ALL RIGHTS RESERVED.

REVISIONS

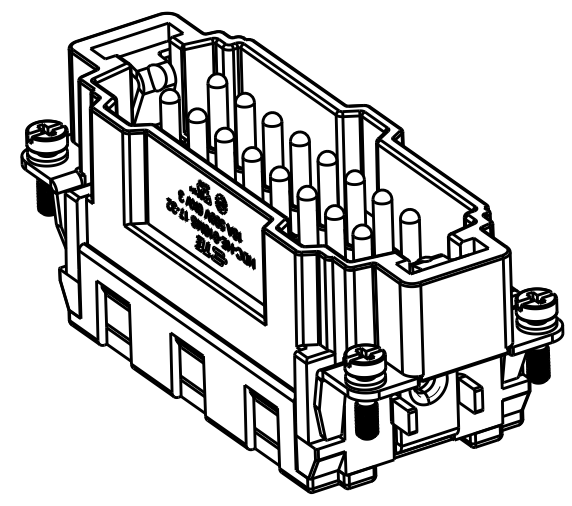
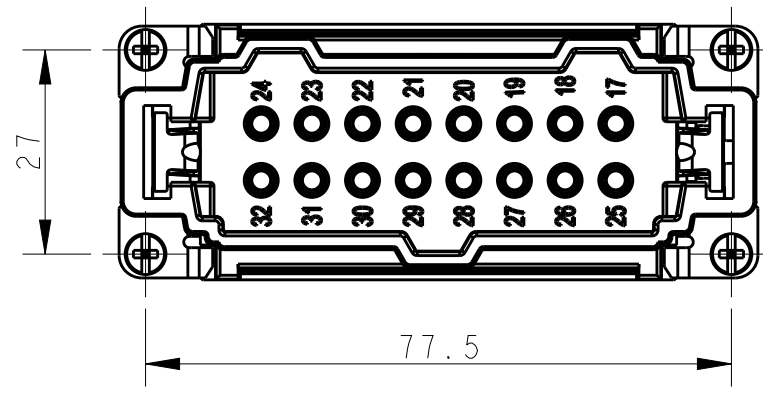
P	LTR	DESCRIPTION	DATE	DWN	APVD
	A	INITIAL RELEASE	20APR2015	CY	CW
	B	ECR-15-013759	09OCT2015	DW	CW



4 X M3 screw, recommended tightening torque 0.5Nm



M4 screw, recommended tightening torque 1.2Nm



NOTES:

- TECHNICAL CHARACTERISTICS:
 INSULATION MATERIAL: PC
 RATED VOLTAGE: 500V
 RATED CURRENT: 16A
 INSULATION RESISTANCE: $\geq 400M\Omega$
 RATED IMPULSE VOLTAGE: 6KV
 POLLUTION DEGREE: 3
 FLAMMABILITY: UL94V-0
 MATING CYCLES: 500 CYCLES
 OPERATION TEMPERATURE: $-40^{\circ}C \sim +125^{\circ}C$
 WIRE RANGE: $0.5mm^2 \sim 2.5mm^2$ (AWG20-AWG14)
 CONTACT TYPE: SPRING CLAMP

注释:

- 技术参数:
 绝缘材料: PC
 额定电压: 500V
 额定电流: 16A
 绝缘电阻: $\geq 400M\Omega$
 脉冲电压: 6KV
 污染等级: 3
 阻燃等级: UL94V-0
 插拔次数: 500 次
 工作温度: $-40^{\circ}C \sim +125^{\circ}C$
 接线范围: $0.5mm^2 \sim 2.5mm^2$ (AWG20-AWG14)
 接线类型: 弹片压接

HE-016-MS 17-32	T2040323101-000
DESCRIPTION	PART NUMBER

THIS DRAWING IS A CONTROLLED DOCUMENT.		DWN	15APR2015	TE TE Connectivity	NAME HE-016-MS 17-32										
DIMENSIONS: mm		CHK	15APR2015												
TOLERANCES UNLESS OTHERWISE SPECIFIED:		APVD	15APR2015												
<table border="0"> <tr><td>0 PLC</td><td>±-</td></tr> <tr><td>1 PLC</td><td>±-</td></tr> <tr><td>2 PLC</td><td>±-</td></tr> <tr><td>3 PLC</td><td>±-</td></tr> <tr><td>4 PLC</td><td>±-</td></tr> <tr><td>ANGLES</td><td>±-</td></tr> </table>		0 PLC	±-			1 PLC	±-	2 PLC	±-	3 PLC	±-	4 PLC	±-	ANGLES	±-
0 PLC	±-														
1 PLC	±-														
2 PLC	±-														
3 PLC	±-														
4 PLC	±-														
ANGLES	±-														
MATERIAL	FINISH	APPLICATION SPEC	114-137044	SIZE	A3										
-	-	WEIGHT	-	CAGE CODE	00779										
-	-	Customer Drawing		DRAWING NO	T2040323101000										
				RESTRICTED TO	-										
				SCALE	1:1										
				SHEET	1 OF 1										
				REV	B										