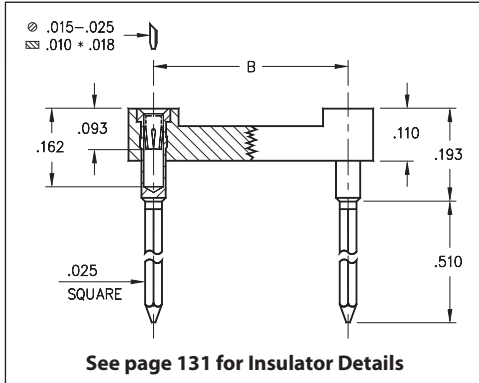
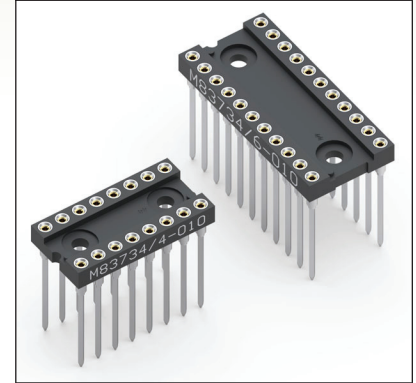


# DUAL-IN-LINE SOCKETS

**SERIES 223...101 • MIL-DTL-83734 APPROVED, 3 LEVEL WRAPOST • CLOSED FRAME**



- Sockets are XY stackable
- Socket pins feature closed end construction eliminating any solder wicking problems
- Hi-Rel, 4-finger BeCu #30 contact is rated at 3 amps. See page 253 for details
- Series 223 uses MM #0038-3 or #0088-3 pins. See page 198 for details
- Insulators are high temperature thermoplastic, suitable for all soldering operations
- For Electrical, Mechanical and Environmental Data, see page 264 for details



Total number of pins				Quantity per tube	ORDERING INFORMATION			
	A	B	C		Mill-Max Part Number		Military Part Number	
6	0.3	0.3	0.4	67	223-XX-306-41-101000	M83734/1-YYY		
8	0.4	0.3	0.4	50	223-XX-308-41-101000	M83734/2-YYY		
14	0.7	0.3	0.4	28	223-XX-314-41-101000	M83734/3-YYY		
16	0.8	0.3	0.4	25	223-XX-316-41-101000	M83734/4-YYY		
18	0.9	0.3	0.4	22	223-XX-318-41-101000	M83734/5-YYY		
20	1.0	0.3	0.4	20	223-XX-320-41-101000	M83734/13-YYY		
22	1.1	0.4	0.5	18	223-XX-422-41-101000	M83734/6-YYY		
24	1.2	0.6	0.7	16	223-XX-624-41-101000	M83734/8-YYY		
28	1.4	0.6	0.7	14	223-XX-628-41-101000	M83734/7-YYY		
32	1.6	0.6	0.7	12	223-XX-632-41-101000	M83734/17-YYY		
36	1.8	0.6	0.7	11	223-XX-636-41-101000	M83734/9-YYY		
40	2.0	0.6	0.7	10	223-XX-640-41-101000	M83734/10-YYY		
64	3.2	0.9	1.0	6	223-XX-964-41-101000	M83734/15-YYY		
<div style="border: 1px solid black; border-radius: 50%; padding: 5px; display: inline-block;">                     XX=Plating Code See Below                 </div>					SEE PAGE 103 FOR COMPLETE MIL-DTL-83734 QPL			
SPECIFY MILL-MAX PLATING CODE XX =					33	83	88	
SPECIFY MILL-MAX PLATING CODE XX =					010	011	012	
(32 PIN ONLY) YYY =					007	008	009	
Sleeve (Pin)					30 μ" min. Au	300 μ" Sn/Pb	300 μ" Sn/Pb	
Contact (Clip)					30 μ" min. Au	30 μ" min. Au	100 μ" Sn/Pb	

