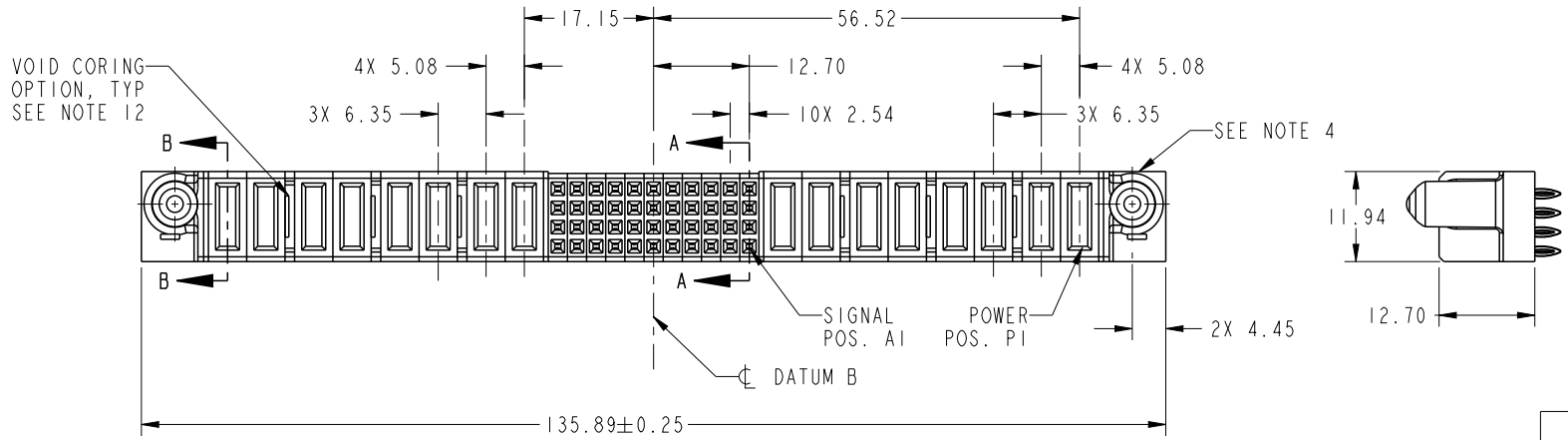


PRODUCT NO. 51940-438-- NOTE: 3	ROWS D C B A	POWER								SIGNAL											POWER							
		E2	P16	15P	P14	P13	P12	P11	P10	P9	11	10	9	8	7	6	5	4	3	2	1	P8	P7	P6	P5	P4	P3	P2



CODE	DIM "M" MATING LENGTH	CONTACT TYPE
PF	[2.34]	POWER
F	[N/A]	SIGNAL
PC	[1.07]	POWER

spec ref	*	dr	Luo Weller	2012/06/04	projection 	MM 	size	A4	scale	1:1		
tolerance std	TOLERANCES UNLESS OTHERWISE SPECIFIED	eng	Luo Weller	2012/09/12			ecn no	-				
SEE NOTE		chr	-	-			rel level	Released				
surface	linear	0.X	±0.5	FCI 	product family	PwrBlade	dwg no	51940-438	rev	A		
		0.XX	±0.25								title	8P + 44S + 8P
		0.XXX	±0.1								cat. no.	Product - Customer Drw
	angular	0°	±2°	www.fci.com					sheet 1 of 4			

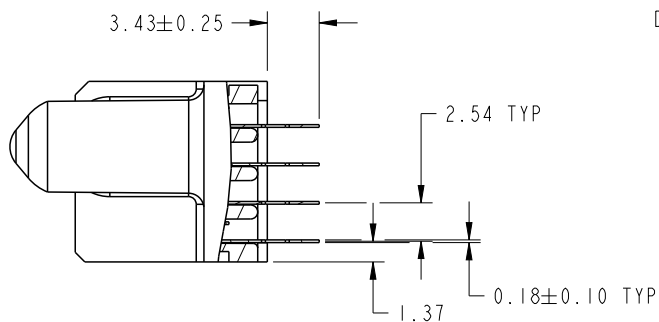


Copyright FCI.

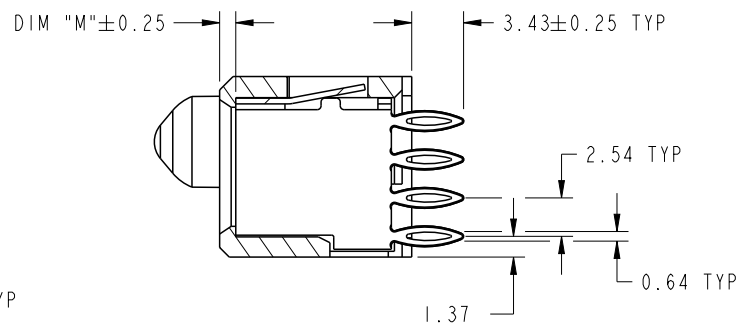
PrdE File - REV C - 2009-06-09

PRODUCT NUMBER

51940-438__
NOTE: 3



SECTION A-A
SCALE 2:1



SECTION B-B
SCALE 2:1

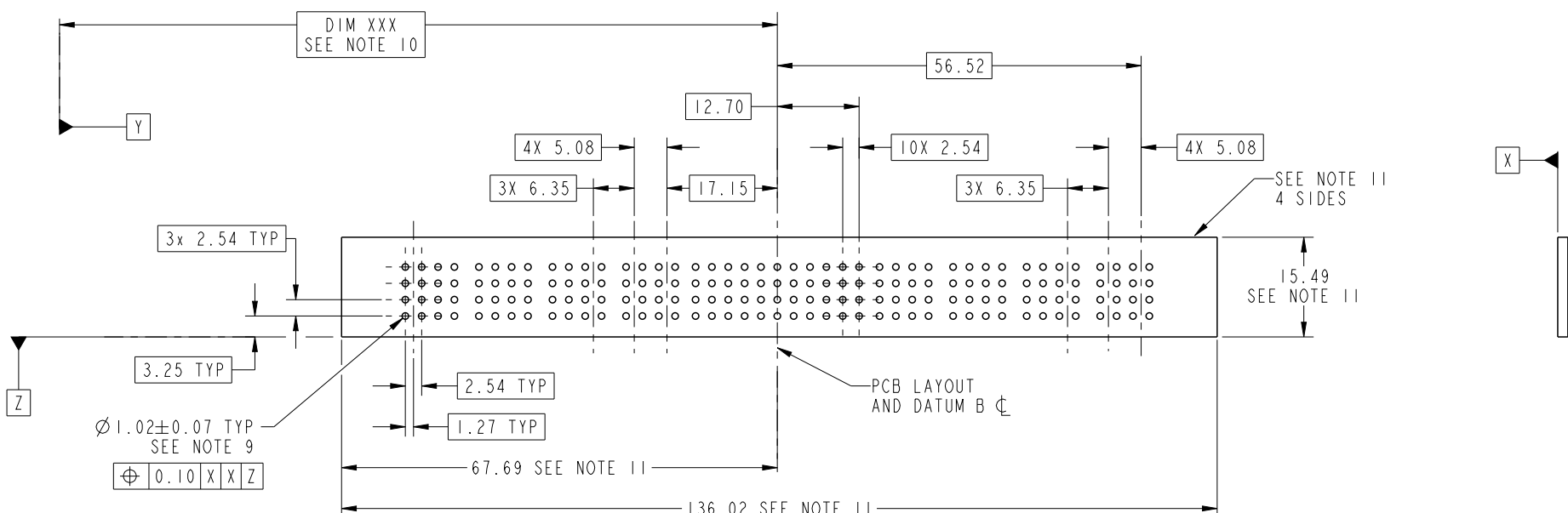


Copyright FCI.

dr	Luo Weller	2012/06/04	projection 	MM 	size	A4	scale	1:1
eng	Luo Weller	2012/09/12			ecn no	-		
chr	-	-			rel level	Released		
appr	Pei-Ming Zheng	2012/09/12	product family	PwrBlade	rev	A		
	title	8P + 44S + 8P		dwg no	51940-438			
www.fci.com	cat. no.	*	Product - Customer Drw		sheet 2 of 4			
			VERTICAL PRESS-FIT RECEPT					

PRODUCT NUMBER

51940-438__
NOTE: 3



RECOMMENDED PCB LAYOUT



Copyright FCI.

dr	Luo Weller	2012/06/04	projection 	MM 	size	A4	scale	1:1		
eng	Luo Weller	2012/09/12			ecn no	-				
chr	-	-			rel level	Released				
appr	Pei-Ming Zheng	2012/09/12	product family	PwrBlade						
	title			8P + 44S + 8P	dwg no		51940-438		rev	A
www.fci.com	cat. no.			*	Product - Customer Drw			sheet 3 of 4		

PRODUCT NUMBER

51940-438__
NOTE: 3

NOTES:

1. DIMENSIONS AND TOLERANCES ARE IN ACCORDANCE WITH ASME Y14.5M, 1994 UNLESS OTHERWISE SPECIFIED.

CONNECTOR NOTES:

- ② HOUSING MATERIAL: UL 94 V-0 GLASS FILLED HIGH-TEMP THERMOPLASTIC
POWER CONTACT MATERIAL: COPPER ALLOY
SIGNAL PIN MATERIAL: COPPER ALLOY
- 3. SEE ITEM 7 & 8 IN PRINT 10064183 FOR PLATING SPEC OF 51940-438 AND 51940-438LF RESPECTIVELY.
- ④ MANUFACTURER'S NAME, DATE CODE AND OPTIONAL P/N TO APPEAR ON THIS SURFACE. THE P/N CAN BE OMITTED IF THERE IS NOT ENOUGH SPACE ON THIS SURFACE.
- 5. PRODUCT SPECIFICATION GS-12-149.
APPLICATION SPECIFICATION BUS-20-067.
- 6. PACKAGED IN TRAYS.
- PCB NOTES:
- 7. ALL HOLE DIAMETERS ARE FINISHED HOLE SIZE.
- ⑧ MOUNTING HOLES, WHERE APPLICABLE, ARE UNPLATED.
- ⑨ $\varnothing 1.151 \pm 0.025$ DRILLED HOLES PLATED WITH
0.008 MIN SnPb OR Sn OVER 0.03
TO 0.08 Cu PLATING TO ACHIEVE
 $\varnothing 1.02 \pm 0.07$ HOLE.
- ⑩ "DIM XXX" TO BE DETERMINED BY THE CUSTOMER.
- ⑪ CONNECTOR KEEP-OUT ZONE.
- 12. THE VOID CORING IN BETWEEN POWER MODULES, SIGNAL MODULES AND END MODULES ARE OPTIONAL AND THE SHAPE MAY BE DIFFERENT FOR OPTIMIZE THE MOLDING PROCESS. THE VOID CORING WILL NOT EFFECT TO PRODUCT FUNCTION.

dr	Luo Weller	2012/06/04	projection 	MM 	size	A4	scale	1:1			
eng	Luo Weller	2012/09/12			ecn no	-					
chr	-	-			product family	PwrBlade	rel level	Released			
appr	Pei-Ming Zheng	2012/09/12			title	8P + 44S + 8P		dwg no	51940-438	rev	A
www.fci.com		cat. no.	*	Product - Customer Drw			sheet 4 of 4				