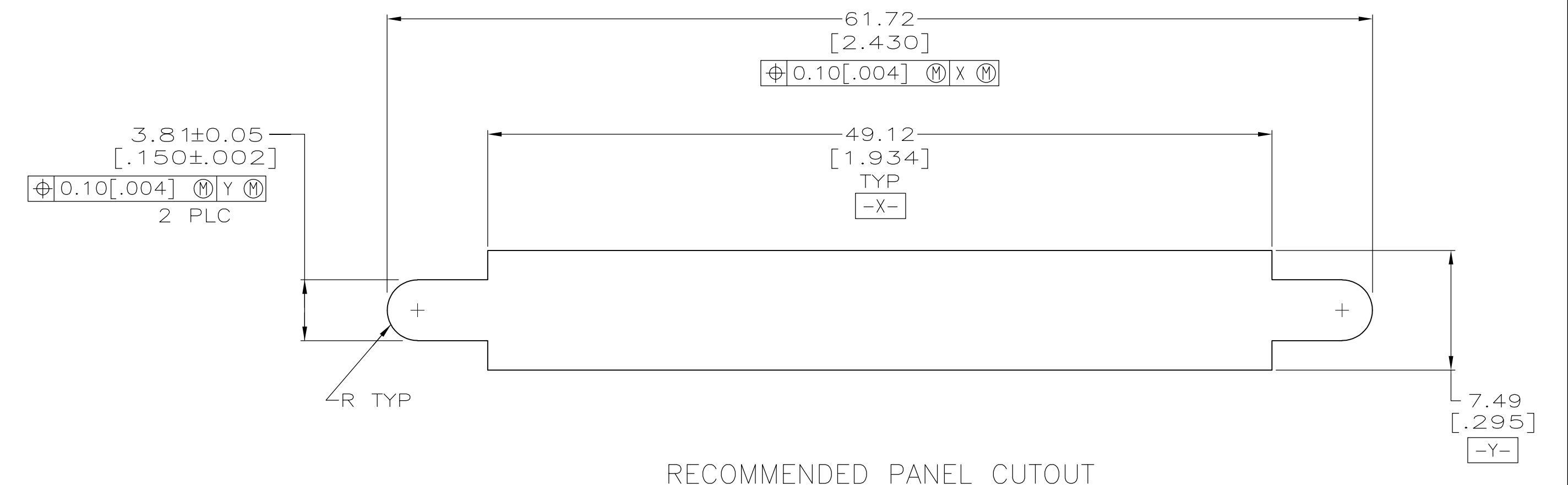
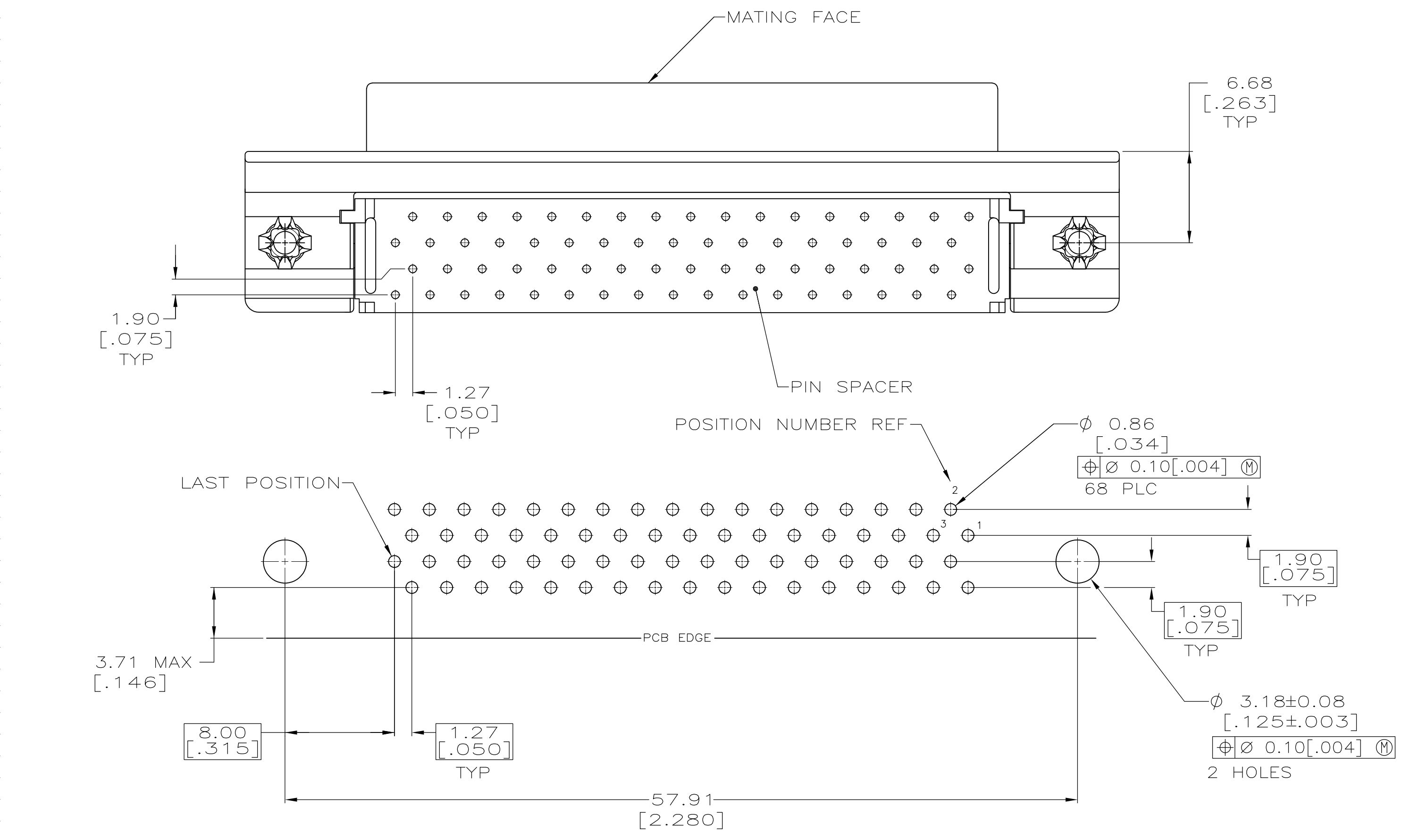


CONTACTS: PHOSPHOR BRONZE  
 HOUSING & PIN SPACER: UL 94V-0 RATED, THERMOPLASTIC, BLACK  
 BRACKET: ZINC  
 SHELL: CARBON STEEL  
 BOARDLOCKS: COPPER ALLOY

CONTACTS: EITHER 0.76μm [.000030] MIN GOLD PLATE FOR A LENGTH OF 0.64 [.025] MAX, 0.13 [.005] MIN FROM MATING END OR GOLD FLASH OVER PALLADIUM NICKEL PLATE, 0.76μm [.000030] MIN TOTAL FOR A LENGTH OF 0.64 [.025] MAX, 0.13 [.005] MIN FROM MATING END. 3.81μm [.000150] MIN TIN ON OPPOSITE END FOR A LENGTH OF 3.84 [.151] MIN, BOTH OVER 1.27μm [.000050] MIN NICKEL.  
 SHELL: 5.08μm [.000200] MIN NICKEL OVER 1.27μm [.000050] MIN COPPER.  
 BRACKET: 2.54μm [.000100] MIN NICKEL OVER 5.08μm [.000200] COPPER.  
 BOARDLOCKS: 3.81μm [.000150] MIN TIN OVER 1.27μm [.000050] MIN NICKEL.



RECOMMENDED PANEL CUTOUT

P.C.BOARD MOUNTING DIMENSIONS  
 CONNECTOR SIDE  
 P.C.BOARD THICKNESS 2.36±0.23 [.093±.009]

**COPYRIGHT 2005  
 TYCO ELECTRONICS CORP  
 ALL RIGHTS RESERVED**

68	5787928-7
NO OF POSN	PART NUMBER

THIS DRAWING IS A CONTROLLED DOCUMENT.		DWN L VARELA - DOCKS 02-14-05		Tyco Electronics Corporation	
DIMENSIONS: mm(INCHES)		CHK S SHUEY 02-14-05		Harrisburg, Pa 17105-3608	
TOLERANCES UNLESS OTHERWISE SPECIFIED:		APVD M WALMSLEY 02-14-05		NAME	
0 PLC ± -	1 PLC ± -	PRODUCT SPEC		RECEPTACLE ASSEMBLY, SHIELDED, RIGHT ANGLE.	
2 PLC ± 0.13 [005]	3 PLC ± -	108-1228		.050 SERIES, AMPLIMITE	
4 PLC ± -	ANGLES ± -	APPLICATION SPEC		SIZE CAGE CODE DRAWING NO	
MATERIAL		114-40029		A1 00779 C=5787928	
FINISH		WEIGHT		SCALE SHEET 1 OF 1 REV B	
CUSTOMER DRAWING		SCALE 4:1		REV B	