

Series **D XX S 24B 6 XX 12 LF**

Number of contacts  
09 , 15 , 25

**Contacts**  
S : Socket

**Plating**  
6 = 500 Mating / Unmating Mini

**Packaging specification**  
Tape & Reel

**See Note RoHS**

### Termination

Code	Type	Foot Print/Pitch	Length of termination	PCB thickness
24B	Straight version	6 / 2.84mm	2.90	2.4

### Mounting Options

RL	Insert M3
RV	Female Screw UNC 4-40
RX	Insert UNC 4-40

### NOTE RoHS iNFORMATION

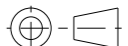
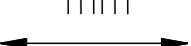

- The "LF" product meet european union Directives and other country regulations asdescribed in GS-22-008.
- The housing will whistand exposure to 260<sup>o</sup> peak temperature for 30 seconds in a convection , infra-red or vapor reflow oven. See application notes/procedures if are available.
- Termination plating spec:1.27 $\mu$  Nickel mini,2.5 to 7.5 $\mu$  Sn(pure mate)
- Shell plating : Nickel bright
- Accessories : Sn pure bright
- Packaging spec ; See GS-14-920

### Product Specification

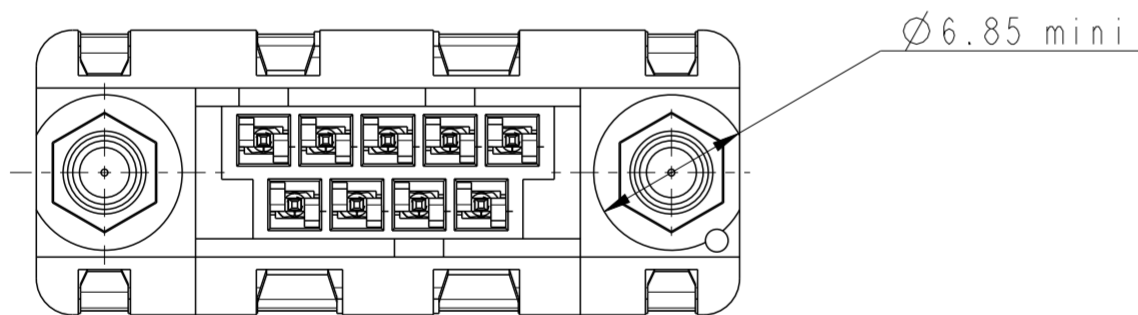
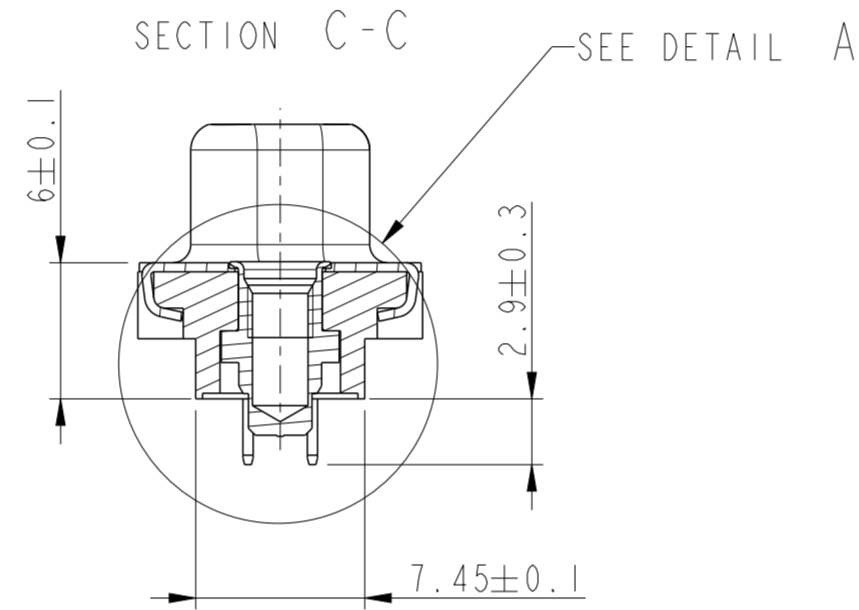
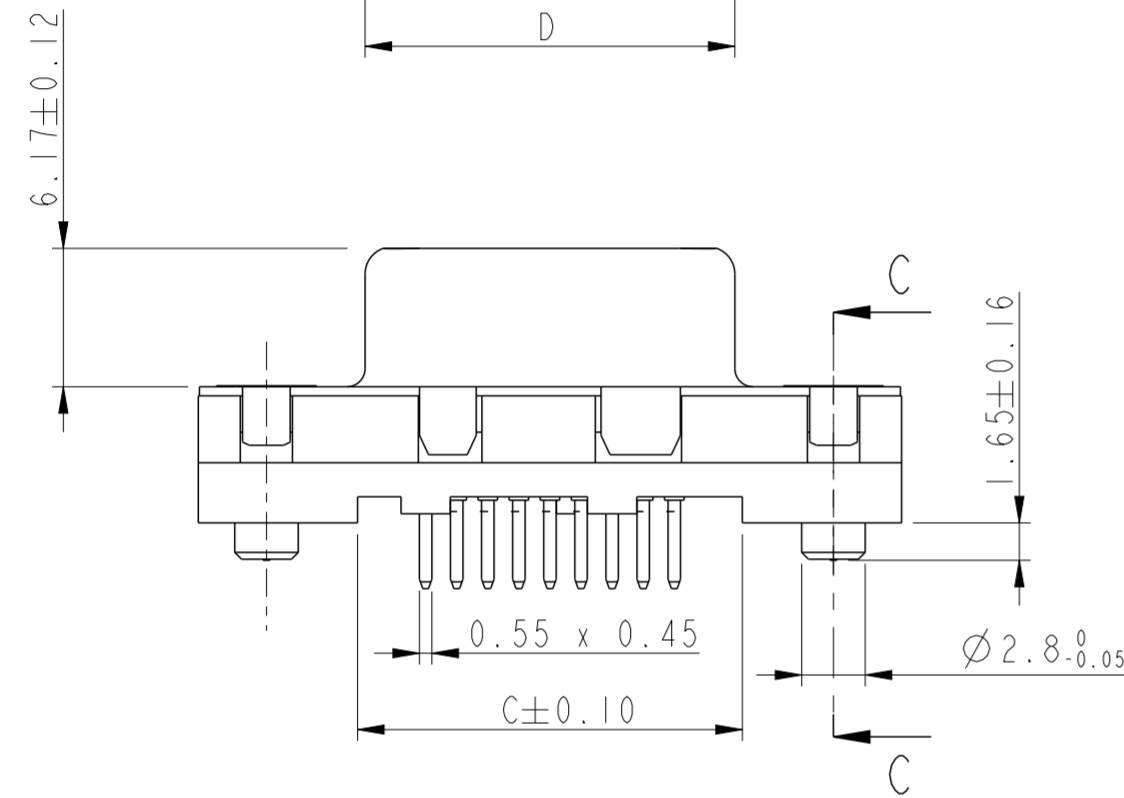
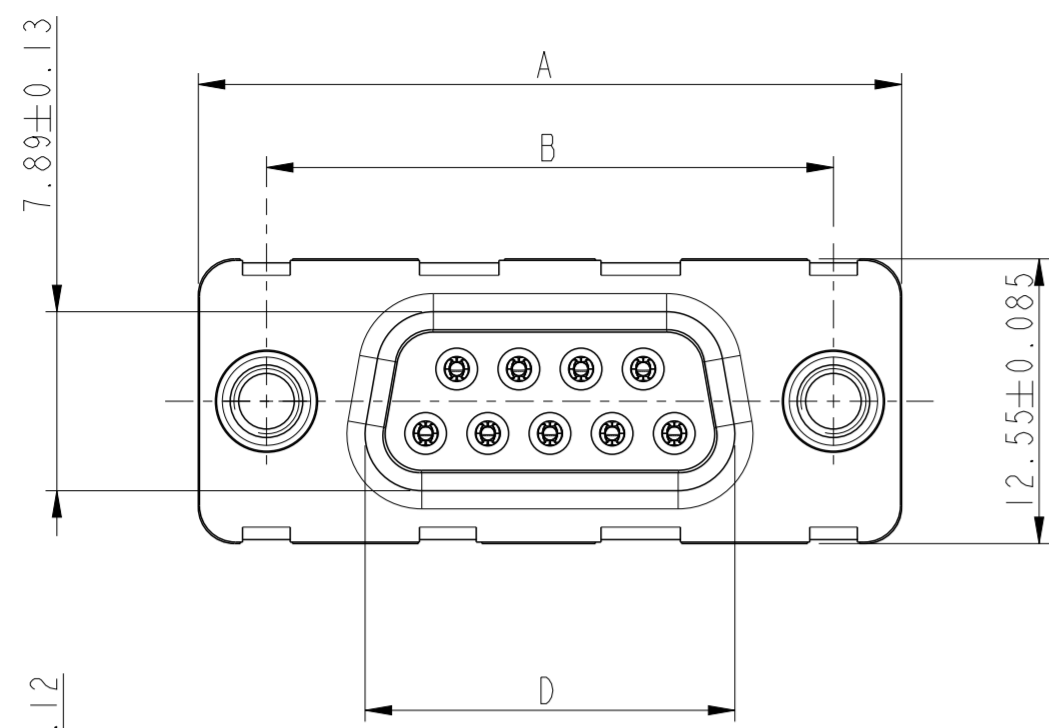
see : GS-12-372

### Packaging Specification

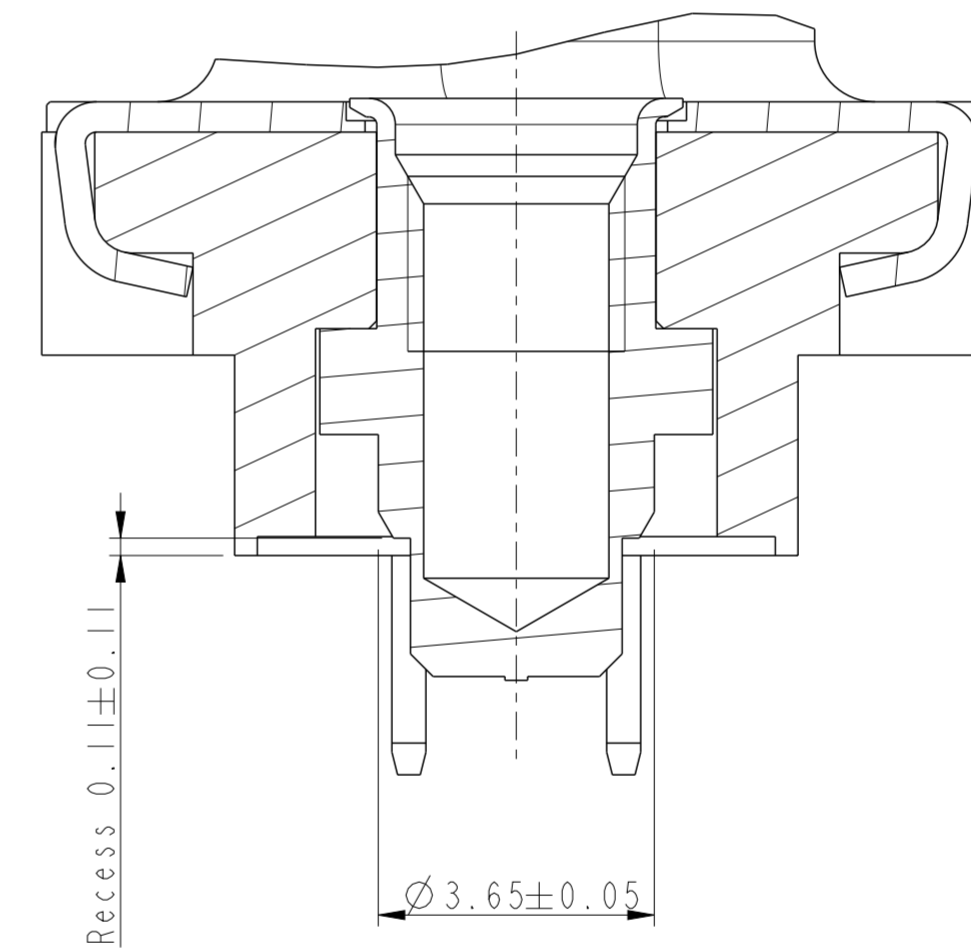
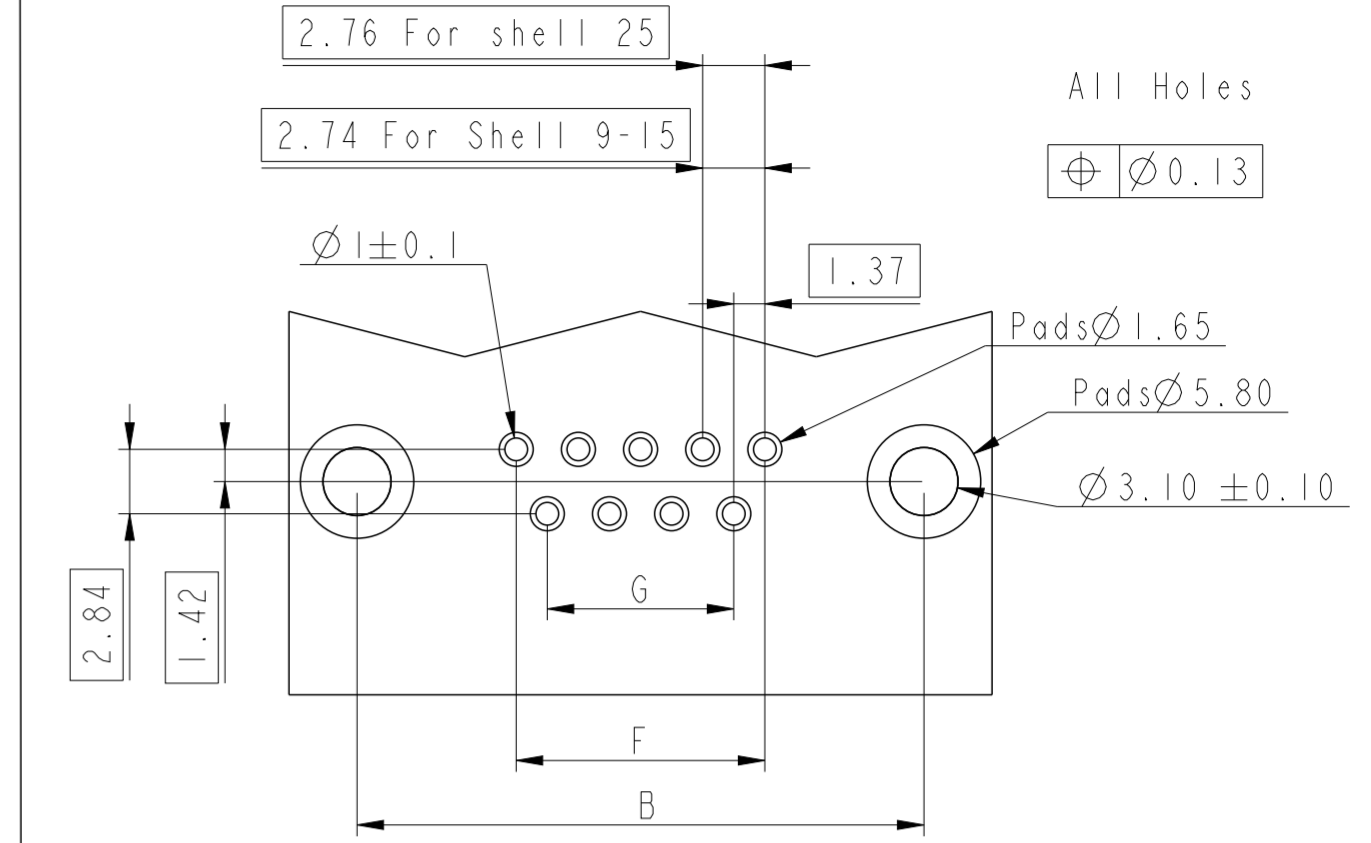
See GS-14-1054

www.fciconnect.com		surface - <input checked="" type="checkbox"/> ISO 1302	tolerance std ISO 406 ISO 1101	projection 	mm 
TOLERANCES UNLESS OTHERWISE SPECIFIED					
Dr	P. CRON	02/02/06	ANGULAR	0.X	$\pm 0.3$
Eng	H. LEGALLIC	02/02/06	LINEAR	0.XX	$\pm 0.1$
Chr	NIRMAL G	2010-10-14	0 <sup>o</sup> $\pm 2^o$	0.XXX	$\pm 0.05$
Appr	SUDHIR V	2010-10-14	Product family	ECN	110-0197
				Spec ref	-
		SUB DELTA D PIP FEMALE H=2 straight for tape and reel packaging		dwg no C01-8646-0886	Rev. C
catalog no		SEE TABLE		customer	sheet 1 of 2

ltr	ecn no	dr	date
I	CREATED	HLE	06/08/24
A	LS06-0223	PCR	2006/12/21
B	110-0120	NG	2010-05-27
C	110-0197	NG	2010-10-14
-	-	-	-
-	-	-	-
-	-	-	-



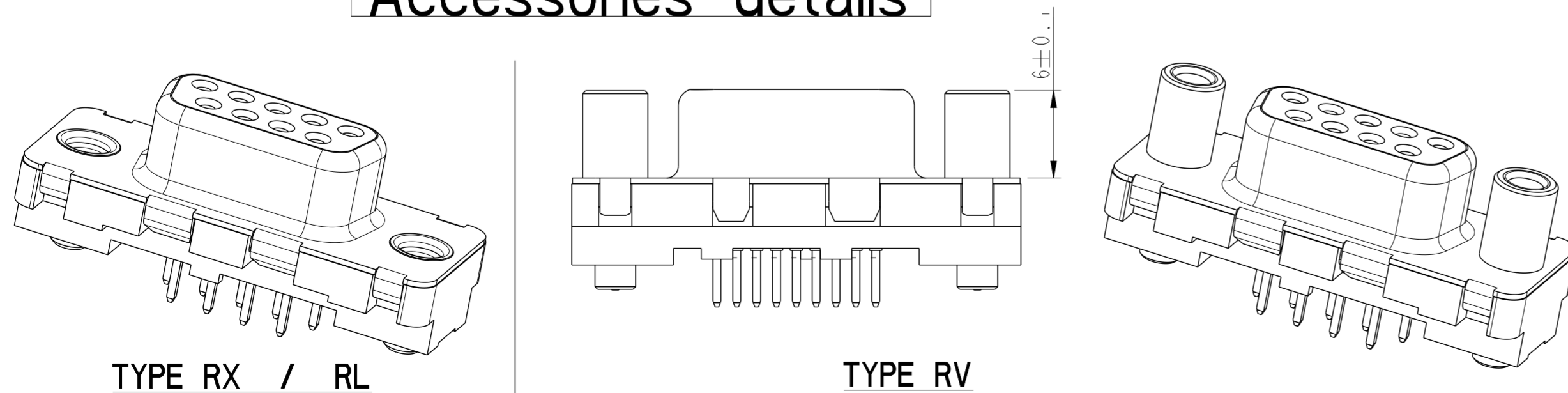
PCB Card Drilling dimensions and Pads recommended (after plating - Thickness : 240 µm)



DETAIL A  
SCALE 10:1

TRUE POSITIONING :  $\oplus \text{ } \ominus \text{ } \varnothing 0.36$

### Accessories details



SHELL	P/N LEAD FREE	A ±0.38	B ±0.10	C ±0.10	D +0.25 0	F	G
09	D09S24B6xx12LF	30.81	24.99	16.96	16.21	10.96	8.22
15	D15S24B6xx12LF	39.14	33.32	25.18	24.54	19.18	16.44
25	D25S24B6xx12LF	53.03	47.04	39.12	38.25	33.12	30.36

www.fciconnect.com		surface	tolerance std	projection	mm
		ISO 1302	ISO 406 ISO 1101	$\oplus \text{ } \ominus$	
TOLERANCES UNLESS OTHERWISE SPECIFIED					
Dr	P. CRON	02/02/06	ANGULAR	0.x	±0.3
Eng	H. LEGALLIC	02/02/06	LINEAR	0.xx	±0.1
Chr	NIRMAL G	2010-10-14	0° ±2°	0.xxx	±0.05
Appr	SUDHIR V	2010-10-14	Product family	- Spec ref -	
FCJ		SUB DELTA D PIP FEMALE H=2.00		C01-8646-0886	
		straight for tape and reel packaging		Rev. C	
		catalog no SEE TABLE		customer sheet 2 of 2	