

<b>HRS</b>	DRAWING NO.	EDC3-338296-01
	PART NO.	DF80-30S-0.5V(51)
	CODE NO.	CL662-8004-0-51
		△ 2/3

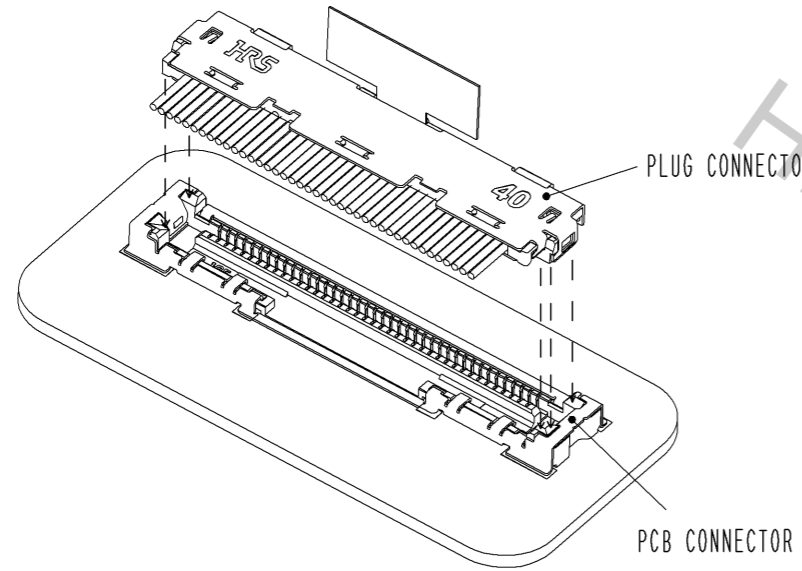
**[ CONNECTOR INSERTION ]**

1. ALIGN THE PLUG CONNECTOR TO THE GUIDES ON PCB CONNECTOR AND INSERT.
2. APPLY EVEN FORCE TO THE PLUG CONNECTOR SURFACE AND FEEL TACTILE CLICK FOR COMPLETE LOCK.

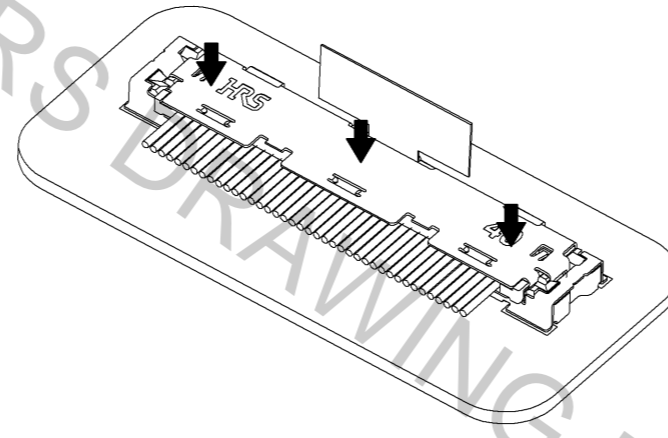
**SUPPLEMENTATION**

TOTAL HEIGHT IS KEPT WITHIN THE HEIGHT OF MATED CONNECTORS BY LAYING DOWN THE PULL TAB AS SHOWN.

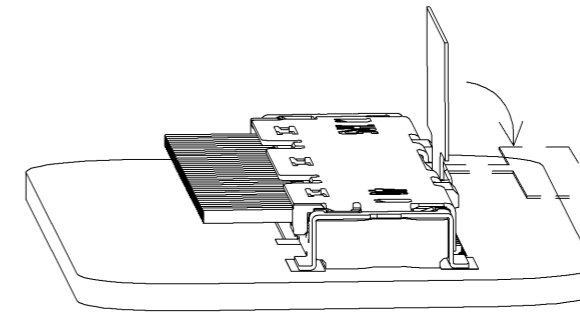
PROCEDURE 1



PROCEDURE 2



SUPPLEMENTATION :  
METHOD OF STORING PULL TAB



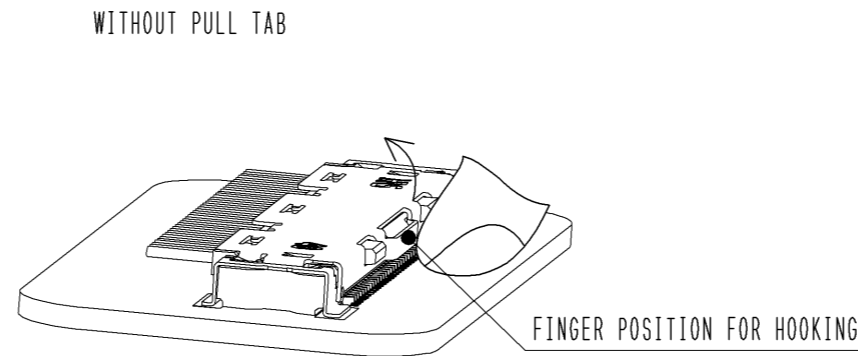
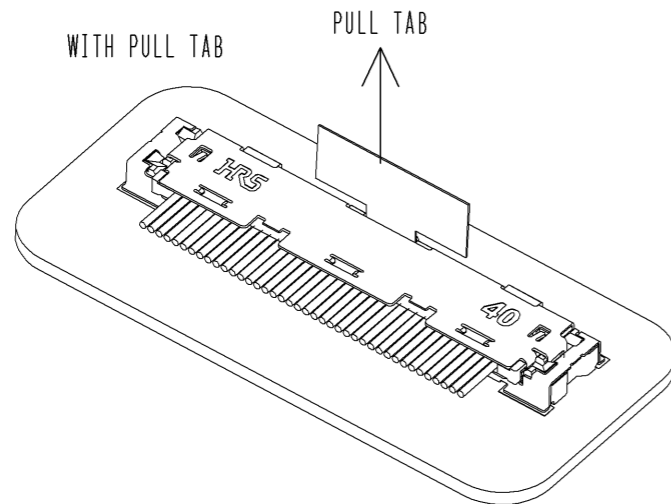
**[ CONNECTOR WITHDRAWAL ]**

**<WITH PULL TAB>**

BY PULLING UP THE TAB TO THE DIRECTION INDICATED WITH THE ARROW, PLUG CONNECTOR IS RELEASED.

**<WITHOUT PULL TAB>**

BY HOOKING THE PLUG CONNECTOR AT THE POSITION SHOWN WITH FINGER AND PULLING UP, PLUG CONNECTOR IS RELEASED.



DRAWING NO.	EDC3-338296-01
PART NO.	DF80-30S-0.5V(51)
CODE NO.	CL662-8004-0-51