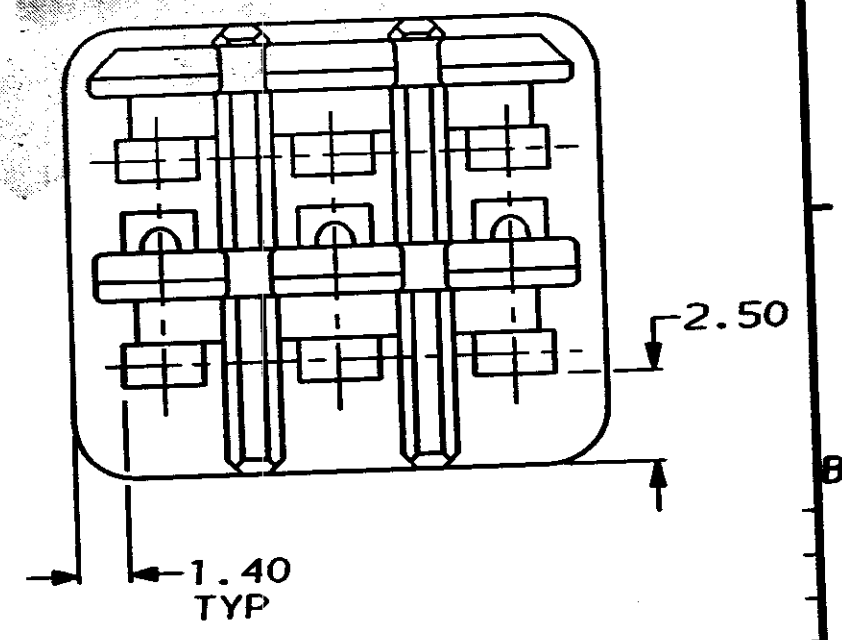
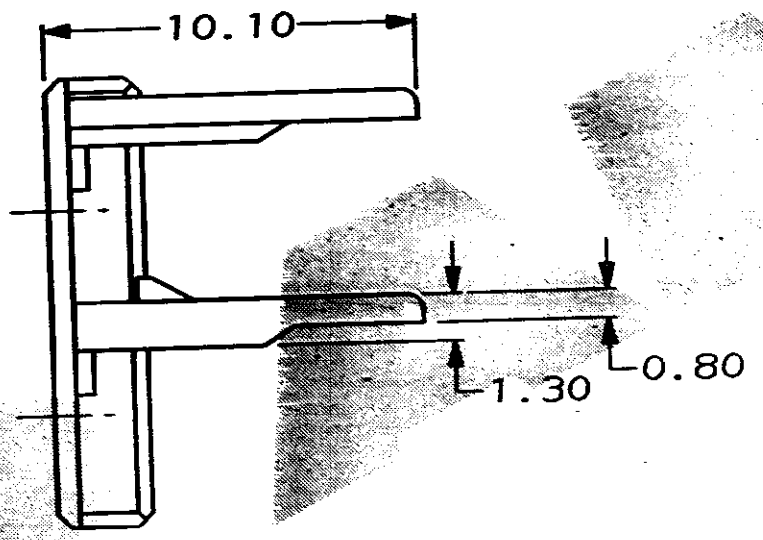
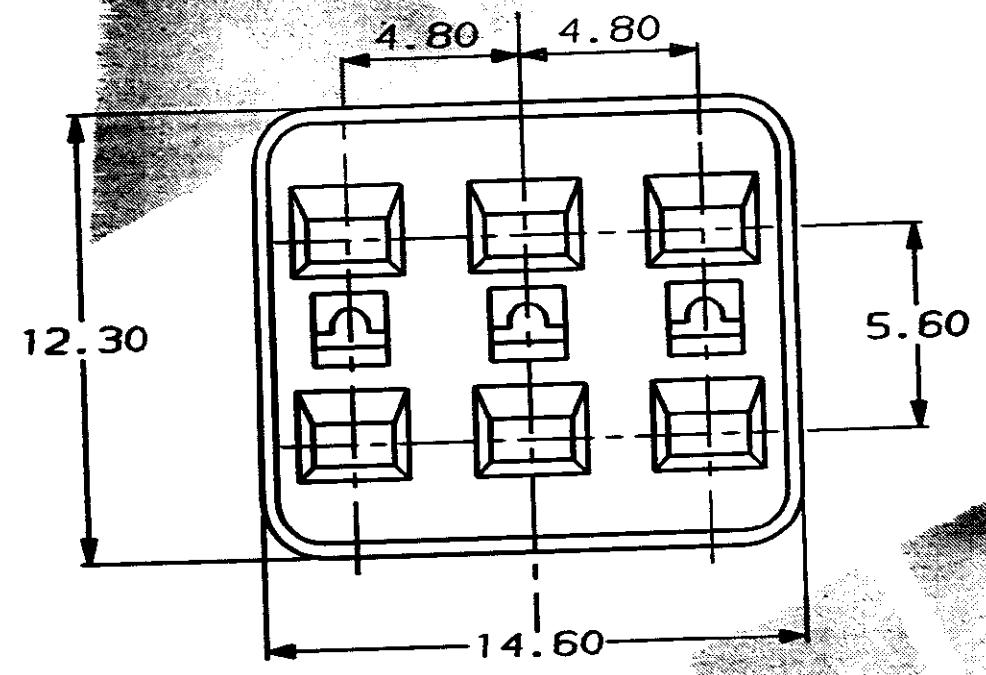
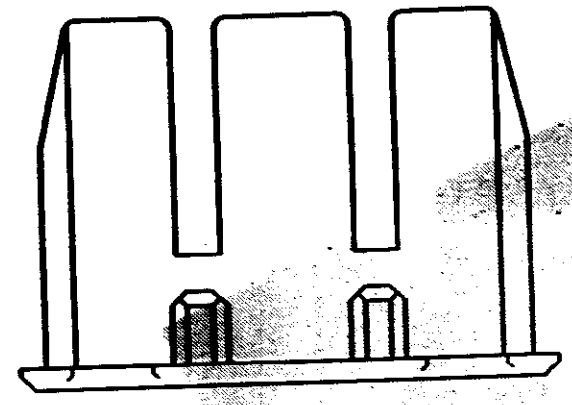


DO NOT SCALE

DIMENSIONS IN MM.




S. C345260.0



**NOTE**

THIS PART IS USED ON Pt.No. 344267-1

|   |                     |          |   |             |                  |
|---|---------------------|----------|---|-------------|------------------|
| YELLOW  |                     | NYLON 66 |   | 345260-1    |                  |
| COLOUR  |                     | MATERIAL |   | PART NUMBER |                  |
| CUSTOMER DWG<br>FOR REFERENCE ONLY                            |                     |          | © COPYRIGHT 1989 BY AMP OF GREAT BRITAIN LTD.<br>ALL INTERNATIONAL RIGHTS RESERVED. ALL PRODUCTS<br>MAY BE COVERED BY BRITISH AND FOREIGN PATENTS AND/OR PATENTS PENDING. |             |                  |
|   |                     |          | DR. R. RUNAGALL.  |             | 05/12/89         |
| TOLERANCES<br>UNLESS OTHERWISE<br>STATED :                    |                     |          | CH. D.R. TERRY.   |             | APP. R. SIMMONS. |
| DEC ± 0.5   |                     |          | <br>Terminal House<br>Stannore<br>N100X.   |             |                  |
| ANGLES ± 1°   |                     |          |   |             |                  |
| NAME A/BACKOUT FOR 6 WAY REC. HSG.<br>ECONOSEAL 3 LOW CURRENT |                     |          |   |             |                  |
| 0   | REL. FOR PRODUCTION | C3500    | 14/08/89  | SCALE 5/1   | LOC E            |
| REV   | APPROVED            | ECN      | DATE  | SIZE A3     | DWG. No. C345260 |
|   |                     |          |   |             | REV 0            |
|   |                     |          |   |             | SHEET 1/1        |