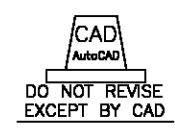
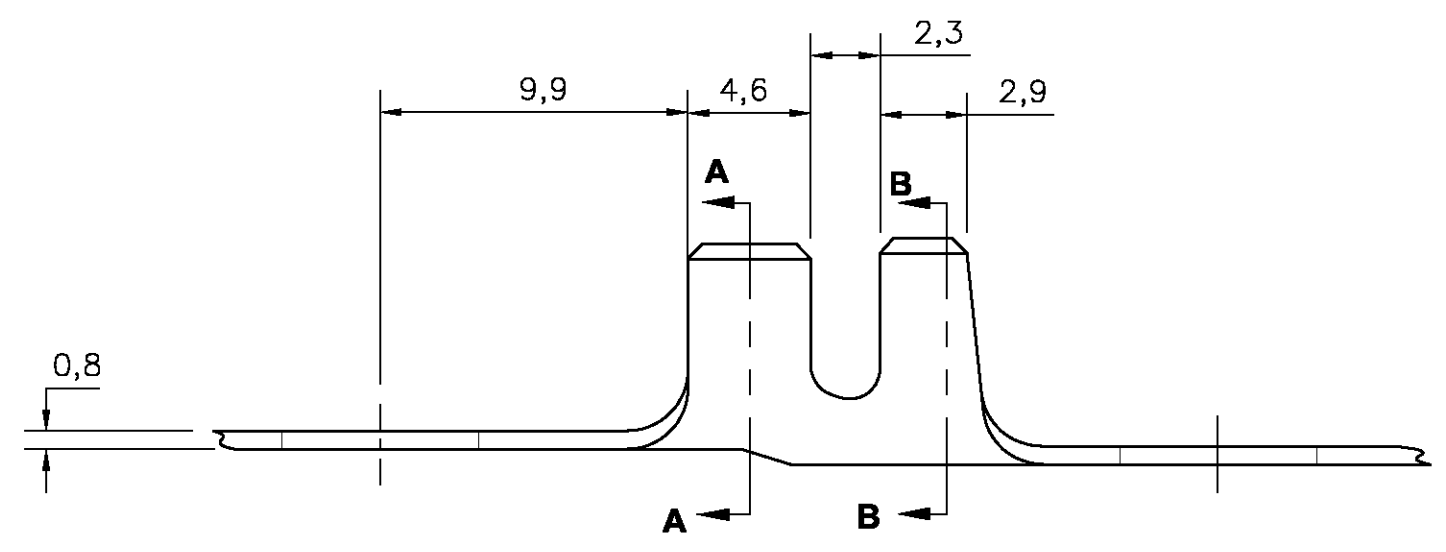
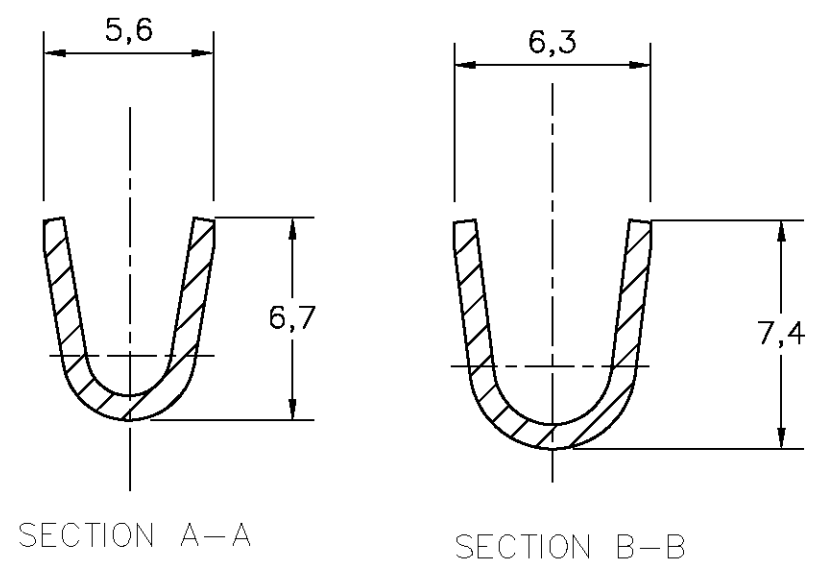
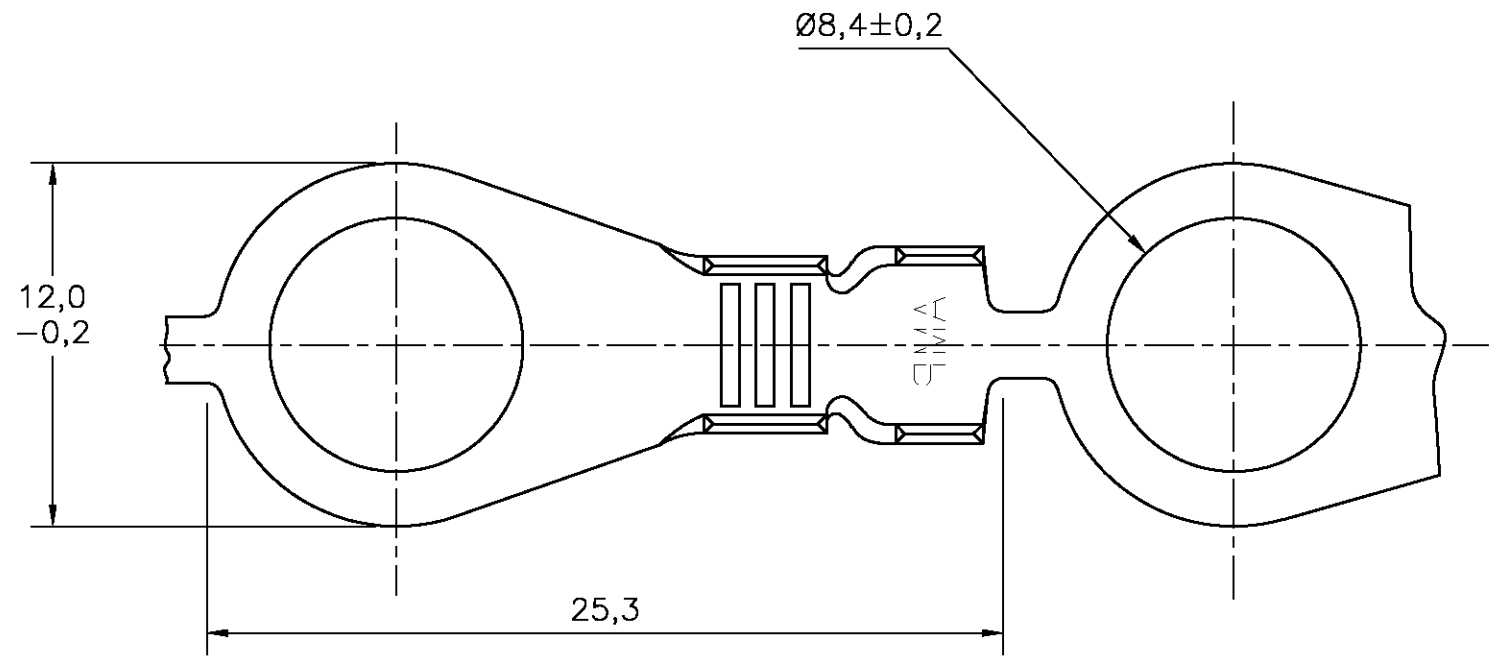


THIS DRAWING IS UNPUBLISHED. RELEASED FOR PUBLICATION
 © COPYRIGHT BY TYCO ELECTRONICS CORPORATION. ALL INTERNATIONAL RIGHTS RESERVED.



LOC AP DIST -

P		LTR LT	DESCRIPTION DESCRIGCO	DATE DATA	DWN DES	APVD APR
	G2		REDRAW BY EC 175/99	17JUN99	AP	PLF
	G3		REVISED BY ECO-10-009304	24MAY10	FC	EL



FINISH	MATERIAL	PART NUMBER
-----/-----	BRONZE FOSFOROSO / PHOSP. BRONZE	626038-3
PRÉ ESTANHADO / PRE TIN PLATED	LATÃO / BRASS	626038-2
-----/-----	LATÃO / BRASS	626038-1

WIRE RANGE (mm ²)	4 - 6
INSUL. RANGE (Ø mm)	3,2 - 5,3
SURF. AREA (mm ²)	---/---
APPL. FEED	---/---
TRIMMING BURR	---/---
WDW	14,22
IDW	16,26
REELING	107 - -
SPLICE	115 - -

THIS DRAWING IS A CONTROLLED DOCUMENT.

DIMENSIONS: DIMENSÕES mm	TOLERANCES UNLESS OTHERWISE SPECIFIED: TOLERANCIA NCO ESPECIFICADAS	DWN/DES A.PERUSSI 16JUN99	Tyco Electronics do Brasil Ltda São Paulo - Brasil
	0 PLC/DEC ± -	CHK/CH P.L.FARIA 17JUN99	
	1 PLC/DEC ± 0,3	APVD/APR E.GROLLA 17JUN99	
MATERIAL	FINISH ACABAMENTO	PRODUCT SPEC	NAME DESCRIGCO RING TONGUE
SEE TABLE	SEE TABLE	APPLICATION SPEC	SIZE A3 CAGE CODE 00779 DRAWING NO DESENHO NO C-626038 RESTRICTED TO -
		WEIGHT -	SCALE ESCALA 4:1 SHEET FOLHA 1 DE 1 REV G3

CUSTOMER DRAWING/DESENHO DE CLIENTE