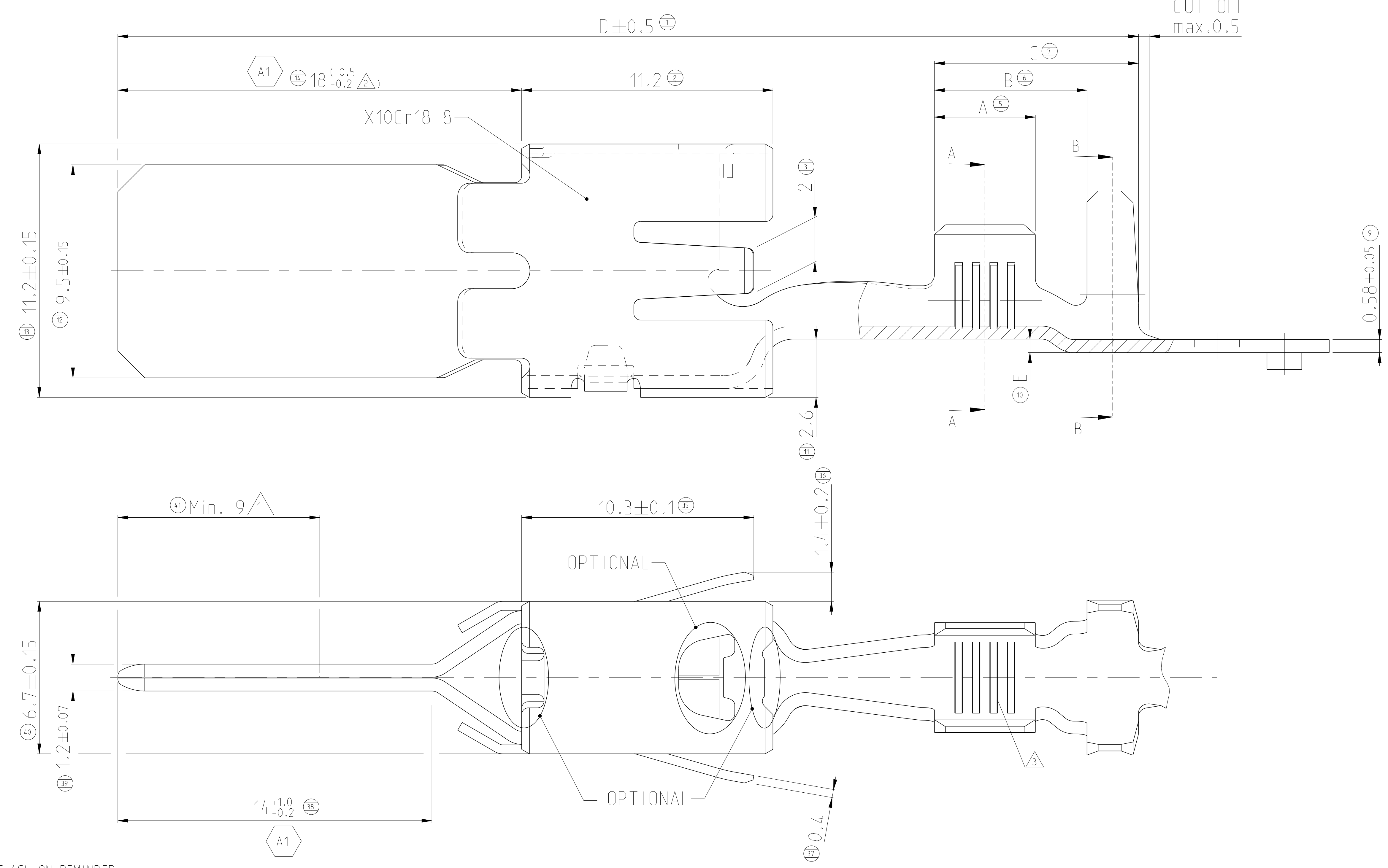
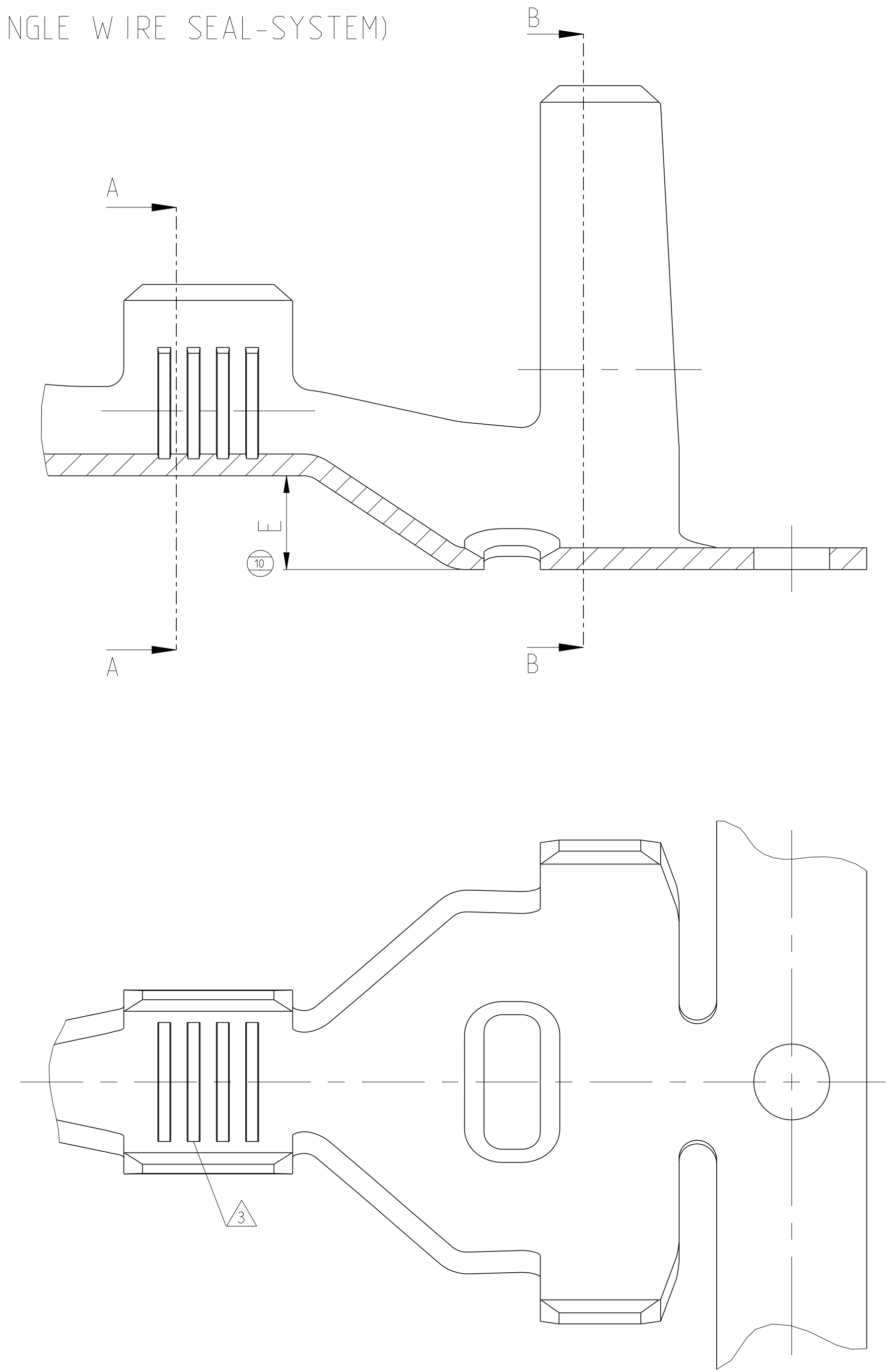


PROJECT No.		REVISIONS			
NO.	DATE	DESCRIPTION	DATE	BY	APPD.
A		New drawing	04.08.2016	JB, JH	MP
A1		ECR-16-015100	25.02.2016	GH	MP

VERSION A  
(UNSEALED)

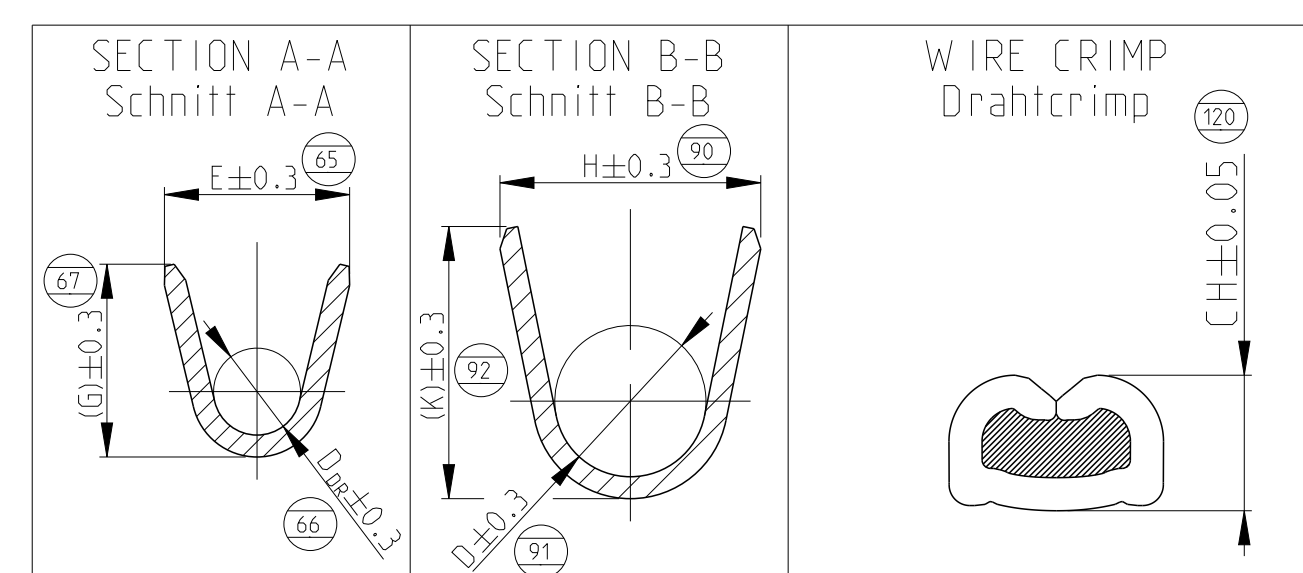


VERSION B  
(SINGLE WIRE SEAL-SYSTEM)



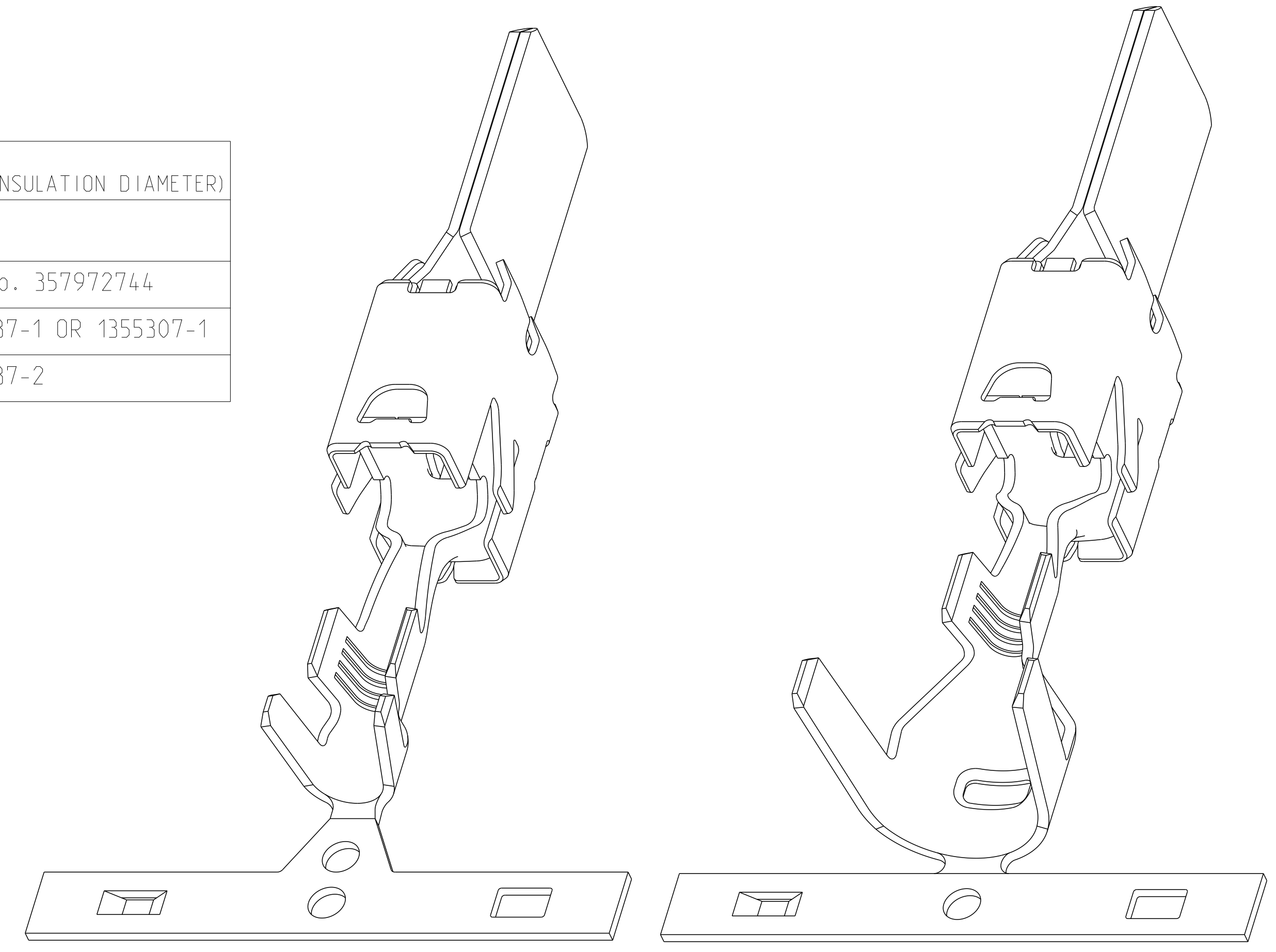
1 MIN. 3µm Ag IN LOCALIZED FUNCTIONAL AREA. Ag FLASH ON REMINDER.

A1 2 For 963772-x and 963774-x only



VERSION	TE PN STRIP FORM Bandware	REV.	MATERIAL Werkstoff	SURFACE Oberflaeche	DGB WIRE RANGE [mm <sup>2</sup> ]	INSULATION DIAMETER (mm)	STRIP FORM Bandware		WIRE CRIMP HEIGHT CH Drahtcrimp-Hoehe CH	APPLICATION TOOL Anschlag = WKZ	HAND TOOL Hndzange	EXTRACTION TOOL / Ausdrueckwerkzeug No.: 1-1579007-7	A	B	C	D	E ± 0.05	Number of serrations
							WIRE CRIMP Drahtcrimp	INSUL.-CRIMP Isol.-Crimp										
VERSION B SINGLE WIRE SEAL / Einzeldichtungssystem	963774-1	C	CuSn4	PRE -TINNED	6 - 10mm <sup>2</sup>	Ø4.6-6.6 A1	E = 7.0	H = 12.9	6mm <sup>2</sup> = 2.98	MQC APPLICATOR 2-878735-2	-	EXTRACTION TOOL / Ausdrueckwerkzeug No.: 1-1579007-7	6.3	11.9	15.6	4.9	2.5	5
	963774-2	C	CuFe2P	PRE -TINNED			D <sub>DR</sub> = 3.8	D = 9.5	10mm <sup>2</sup> = 3.60	(ALTERNATIVE APPLICATOR 1852862)								
	963772-1	C	CuSn4	PRE -TINNED	4 - 6mm <sup>2</sup>	Ø4.0-5.2	E = 5.6	H = 12.9	4mm <sup>2</sup> = 2.55	MQC APPLICATOR 2-878734-2	-		5.5	11.1	14.8	4.9	2.5	4
	963772-2	C	CuFe2P	PRE -TINNED			D <sub>DR</sub> = 2.9	D = 9.5	6mm <sup>2</sup> = 2.90									
	963770-1	C	CuSn4	PRE -TINNED	2.5 - 4mm <sup>2</sup>	Ø3.3-4.5	E = 4.9	H = 12.9	2.5mm <sup>2</sup> = 2.41	MQC APPLICATOR 2-878980-2	-		4.5	11.1	14.8	4.9	2.5	4
	963770-2	C	CuFe2P	PRE -TINNED			D <sub>DR</sub> = 2.3	D = 9.5	4mm <sup>2</sup> = 2.74									
VERSION A UNSEALED / ungedichtet	963768-1	C	CuSn4	PRE -TINNED	6 - 10mm <sup>2</sup>	Ø4.6 - 6.6 FLK	E = 7.0	H = 9.2	6mm <sup>2</sup> = 2.98	MQC APPLICATOR 2-878732-2	734533-1 (Only for 10 mm <sup>2</sup> )	EXTRACTION TOOL / Ausdrueckwerkzeug No.: 1-1579007-7	6.3	9	11.8	45.5	0.8	5
	963768-2	C	CuFe2P	PRE -TINNED			D <sub>DR</sub> = 3.8	D = 5.9	6.5mm <sup>2</sup> = 3.06	(ALTERNATIVE APPLICATOR 1855441)								
	963768-3	C	CuSn0.15	PRE -TINNED	4 - 6mm <sup>2</sup>	Ø4 - 5.2 FLK	E = 5.6	H = 7.7	4mm <sup>2</sup> = 2.55	MQC APPLICATOR 2-878731-2	734532-1 (Only for 6 mm <sup>2</sup> )		5.5	7.8	10.1	45.5	0.6	4
	963766-2	C	CuFe2P	PRE -TINNED			D <sub>DR</sub> = 2.9	D = 4.6	5mm <sup>2</sup> = 2.72 5.5mm <sup>2</sup> = 2.81 6mm <sup>2</sup> = 2.90									
	963764-2	D	CuFe2P	PRE -TINNED	2.5 - 4mm <sup>2</sup>	Ø3.3 - 4.5 FLK A1	E = 4.9	H = 6.9	2.5mm <sup>2</sup> = 2.41	MQC APPLICATOR 2-878979-2	734531-1		4.5	6.8	9.1	45.5	0.6	4
	963764-1	D	CuSn4	PRE -TINNED			D <sub>DR</sub> = 2.3	D = 4	3mm <sup>2</sup> = 2.52 4mm <sup>2</sup> = 2.74									

SINGLE WIRE SEAL (SEAL SELECTION ACCORDING TO INSULATION DIAMETER)	
INSULATION DIAMETER (mm)	SEAL
4.0-4.5	VW No. 357972744
4.6-5.2	1355437-1 OR 1355307-1
5.8-6.6	1355437-2



THIS DRAWING IS A CONTROLLED DOCUMENT.		DATE: 04.08.2016	BY: Jagadeesh.J.	APPD: PaulLeak.Martin
DIMENSIONS: (mm)	TOLERANCES UNLESS OTHERWISE SPECIFIED:	SCALE: 1:1	PROJECT SPEC: 106-18047	NAME: Product group drawing TAB 9.5x1.2mm
MATERIAL: -	FINISH: -	WEIGHT: -	APPLICATOR SPEC: 114-18076	SIZE: A0
Customer Drawing		SCALE: 10:1	SHEET: 1 of 1	REV: A1