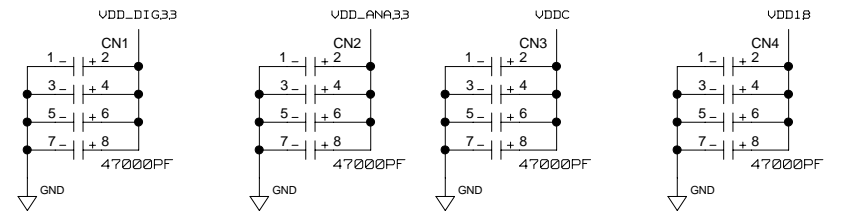
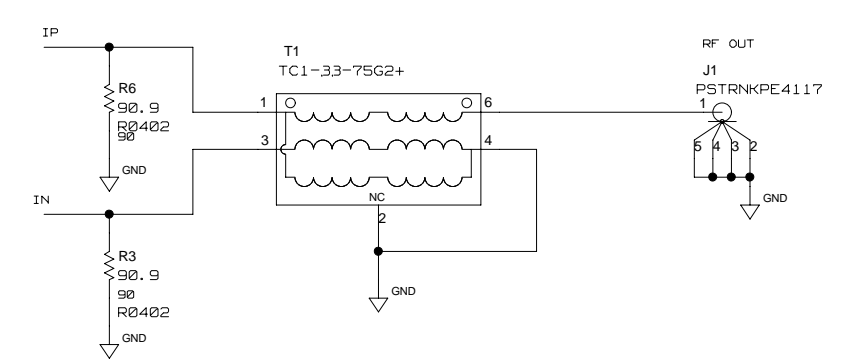
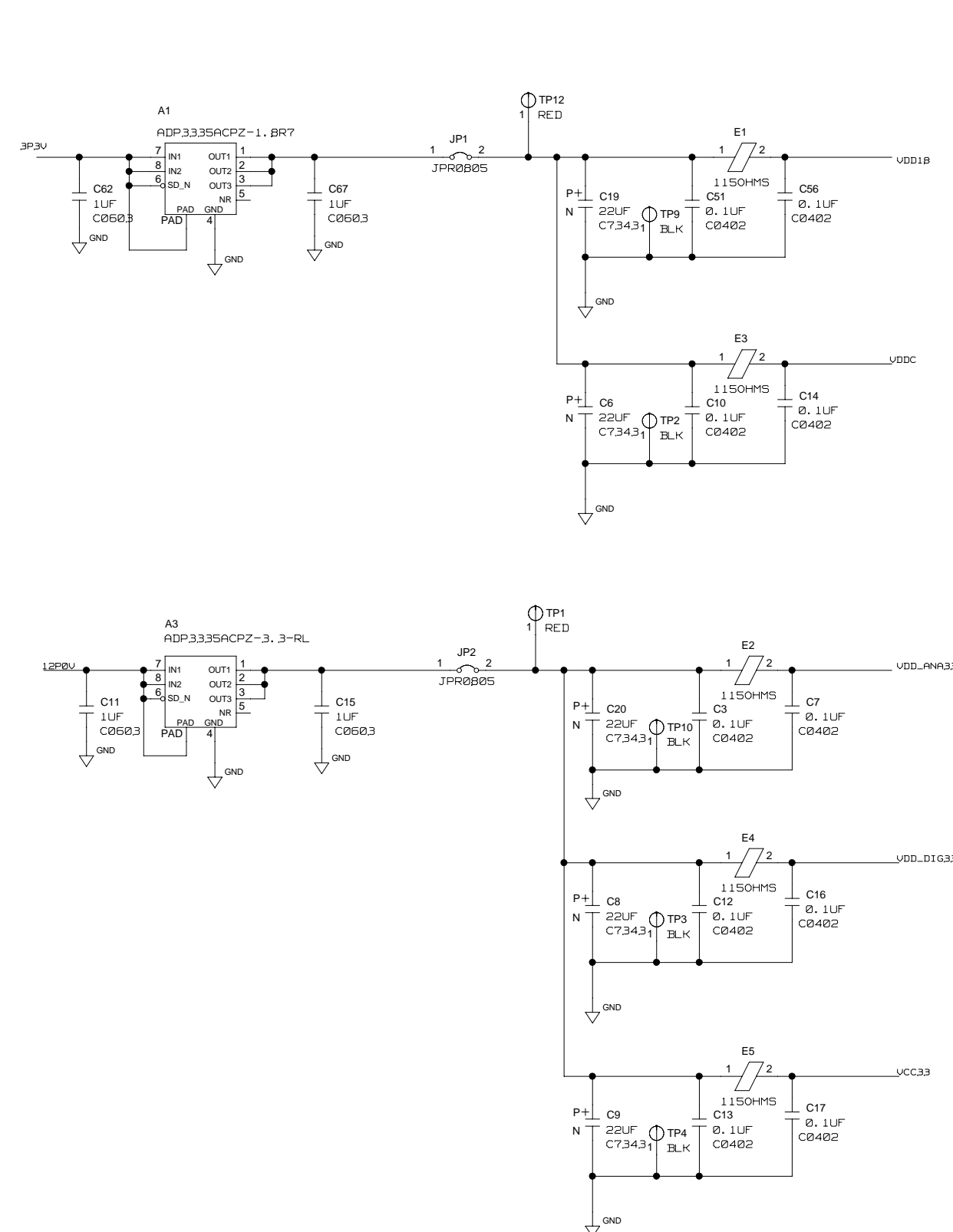


REVISIONS			
REV	DESCRIPTION	DATE	APPROVED



	SCHEMATIC		
	AD9739A-FMC-EBZ EVALUATION BOARD		
<PRODUCT> <PRODUCT_1>	DESIGN VIEW <DESIGN_VIEW>	DRAWING NO. 11011	REV C
PTD ENGINEER <PTD_ENGINEER>	SIZE D	SCALE <SCALE>	SHEET 2 OF 6

REVISIONS			
REV	DESCRIPTION	DATE	APPROVED



	SCHEMATIC		
	AD9739A-FMC-EBZ EVALUATION BOARD <PRODUCT> <PRODUCT_1>		
<small>THIS DRAWING IS THE PROPERTY OF ANALOG DEVICES INC. IT IS NOT TO BE REPRODUCED OR COPIED, IN WHOLE OR IN PART, OR USED IN ANY MANNER, WITHOUT THE WRITTEN PERMISSION OF ANALOG DEVICES. THE EQUIPMENT DESIGN HEREON MAY BE PROTECTED BY PATENTS OWNED OR CONTROLLED BY ANALOG DEVICES.</small>	DESIGN VIEW <DESIGN_VIEW>	DRAWING NO. 11011	REV C
	PTD ENGINEER <PTD_ENGINEER>	SIZE D	SCALE <SCALE>

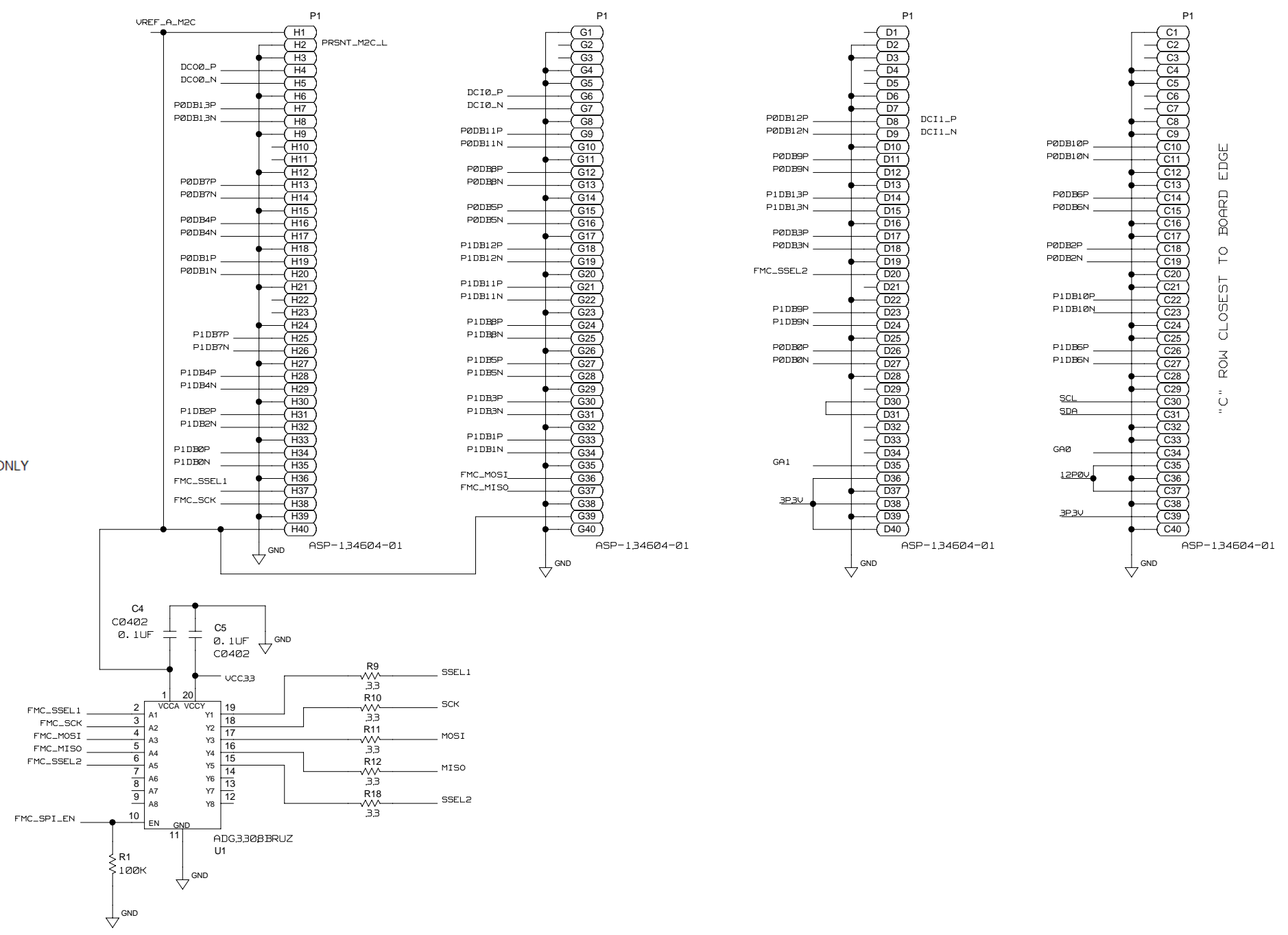
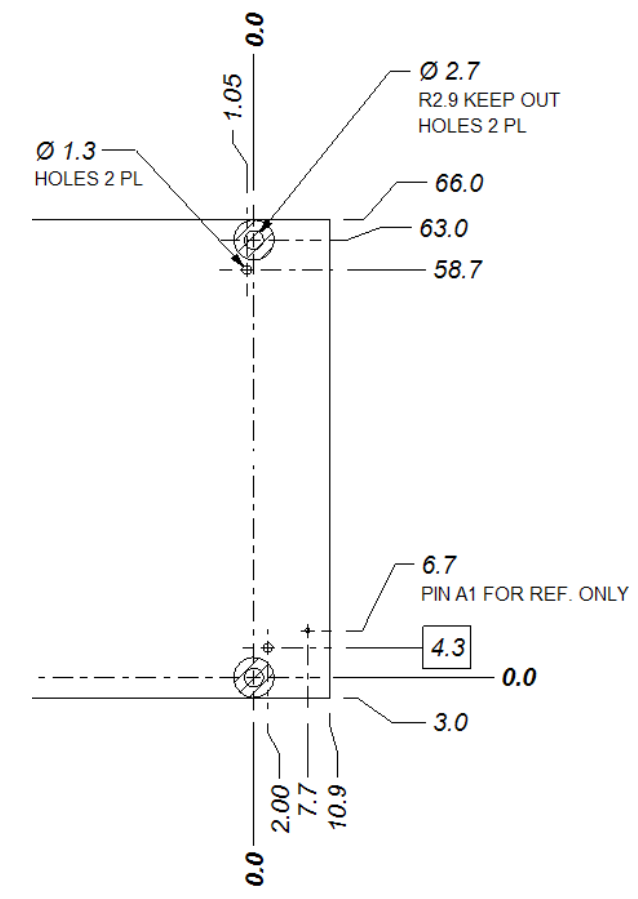
REVISIONS			
REV	DESCRIPTION	DATE	APPROVED

LAYOUT NOTES:

ALL LINES MATCHED LENGTH (MATCHING MORE CRITICAL THAN LINE LENGTH)
 P0DBXX & PIDBXX & DCIO_P/N

PCB NOTES:

PCB DIMENSIONS AS FOLLOWS, PER VITA-57 SPEC:



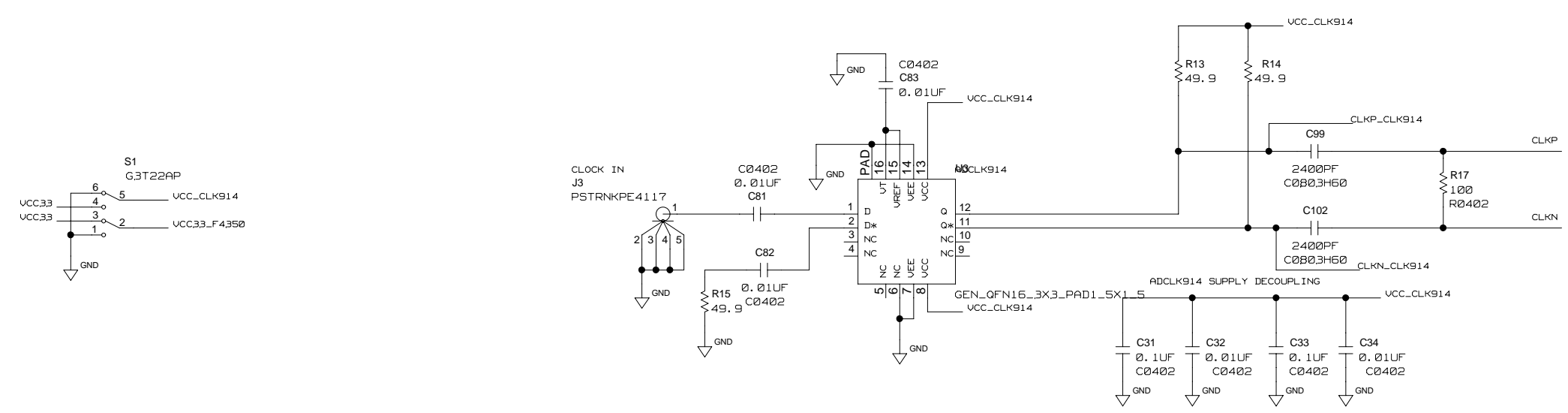
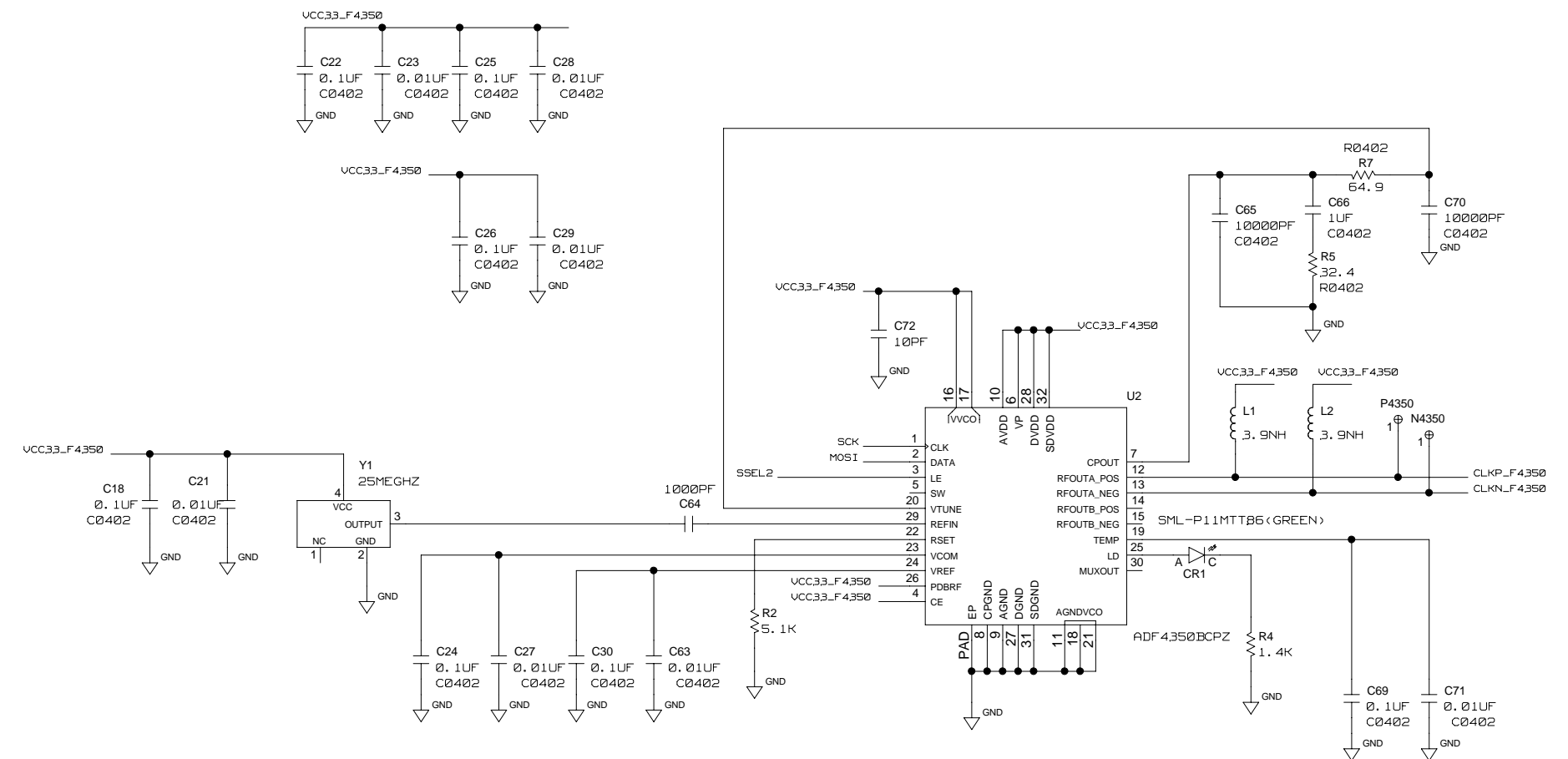
"C" ROW CLOSEST TO BOARD EDGE

D
C
B
A

D
C
B
A

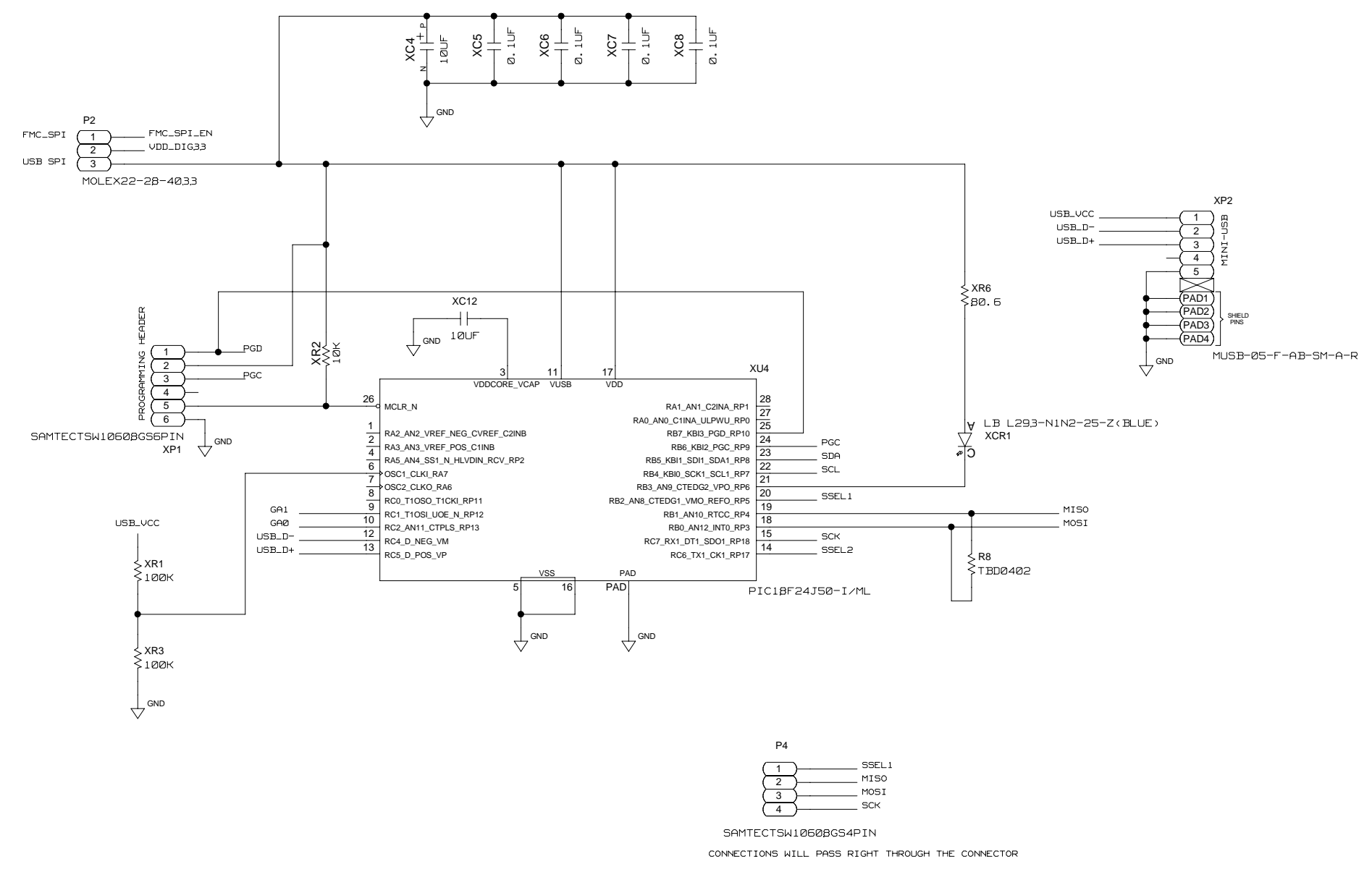
	SCHEMATIC	
	AD9739A-FMC-EBZ EVALUATION BOARD	
DESIGN VIEW <DESIGN_VIEW>	DRAWING NO. 11011	REV C
PTD ENGINEER <PTD_ENGINEER>	SIZE D SCALE <SCALE>	SHEET 4 OF 6

REVISIONS			
REV	DESCRIPTION	DATE	APPROVED



	SCHEMATIC		
	AD9739A-FMC-EBZ EVALUATION BOARD <PRODUCT> <PRODUCT_1>		
DESIGN VIEW <DESIGN_VIEW>	DRAWING NO. 11011	REV C	
PTD ENGINEER <PTD_ENGINEER>	SIZE D	SCALE <SCALE>	SHEET 5 OF 6

REVISIONS			
REV	DESCRIPTION	DATE	APPROVED



4-WIRE SPI VERSION

	SCHEMATIC	
	AD9739A-FMC-EBZ EVALUATION BOARD <PRODUCT> <PRODUCT_1>	
<small>THIS DRAWING IS THE PROPERTY OF ANALOG DEVICES INC. IT IS NOT TO BE REPRODUCED OR COPIED, IN WHOLE OR IN PART, OR USED IN ANY MANNER, WITHOUT THE WRITTEN PERMISSION OF ANALOG DEVICES. THE EQUIPMENT DESIGN HEREIN MAY BE PROTECTED BY PATENTS OWNED OR CONTROLLED BY ANALOG DEVICES.</small>	DESIGN VIEW <DESIGN_VIEW> PTD ENGINEER <PTD_ENGINEER>	DRAWING NO. 11011 SIZE D SCALE <SCALE> SHEET 6 OF 6
		REV C