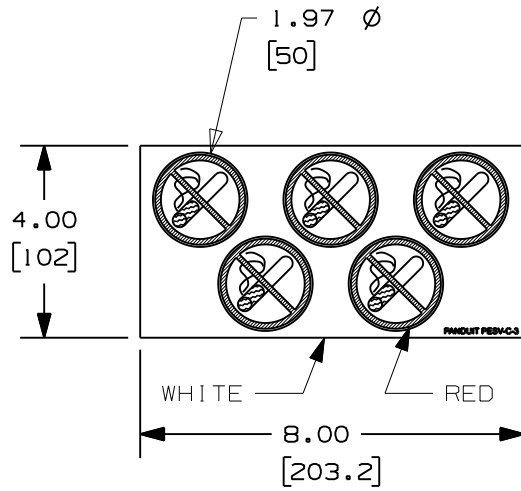
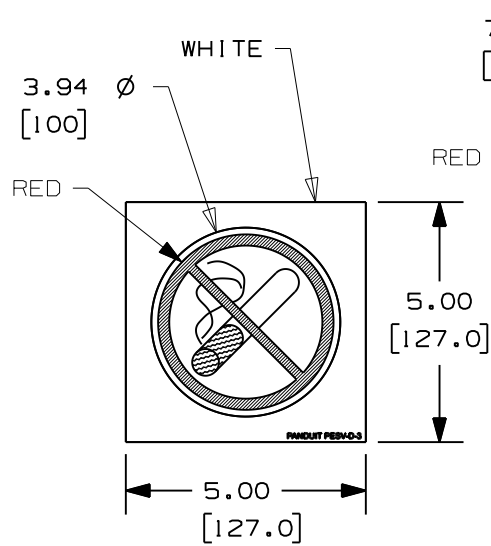


PART NUMBER	MARKER PER CARD
PESV-C-3	5
PESV-D-3	1
PESV-E-3	1

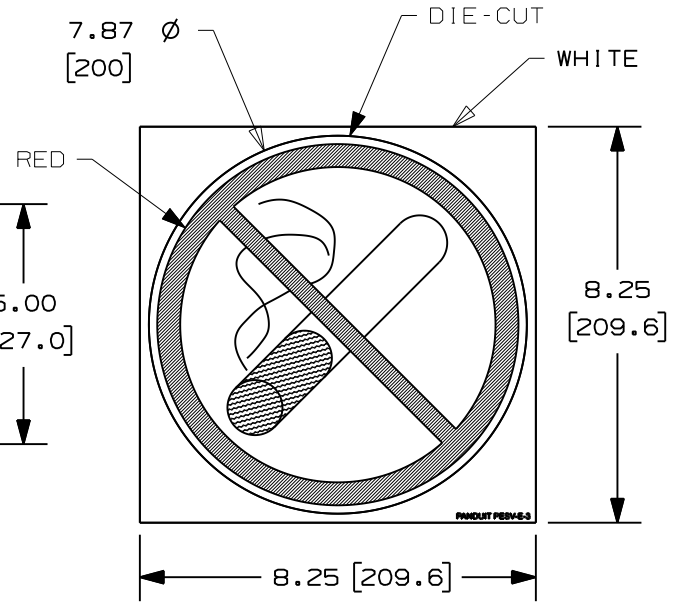
NOTES:
 1. MILLIMETERS ARE IN [].
 2. 10 CARDS PER PACKAGE.



PESV-C-3



PESV-D-3



PESV-E-3

CAD FILENAME/LAYERS 100318LW_DC_C10662/06A

PANDUIT CORP. TINLEY PARK, ILLINOIS

CUSTOMER DRAWING
 PESV-C-3, PESV-D-3, AND PESV-E-3
 PROHIBITION SIGNS

UNLESS OTHERWISE SPECIFIED,
 DIMENSIONAL TOLERANCES ARE:
 (.X) ± .1 (.XXX) ± .025
 (.XX) ± .062 ANGLES ± 5°

UNLESS OTHERWISE SPECIFIED,
 ALL DIMENSIONS ARE GIVEN
 IN INCHES, THIRD ANGLE PROJECTION.

DRAWN BY
 RVU

MAT'L:

SCALE

R	3/20/08	RVU		DRAWING RELEASE	5362	R			
---	---------	-----	--	-----------------	------	---	--	--	--

DATE
 3/20/08

GMV1-OL
 VINYL FILM

DRAWING NO.
 C10662

DWG
 A
 SIZE

REV	DATE	BY	CHK	DESCRIPTION	ECN	R	CUST	SUP
-----	------	----	-----	-------------	-----	---	------	-----