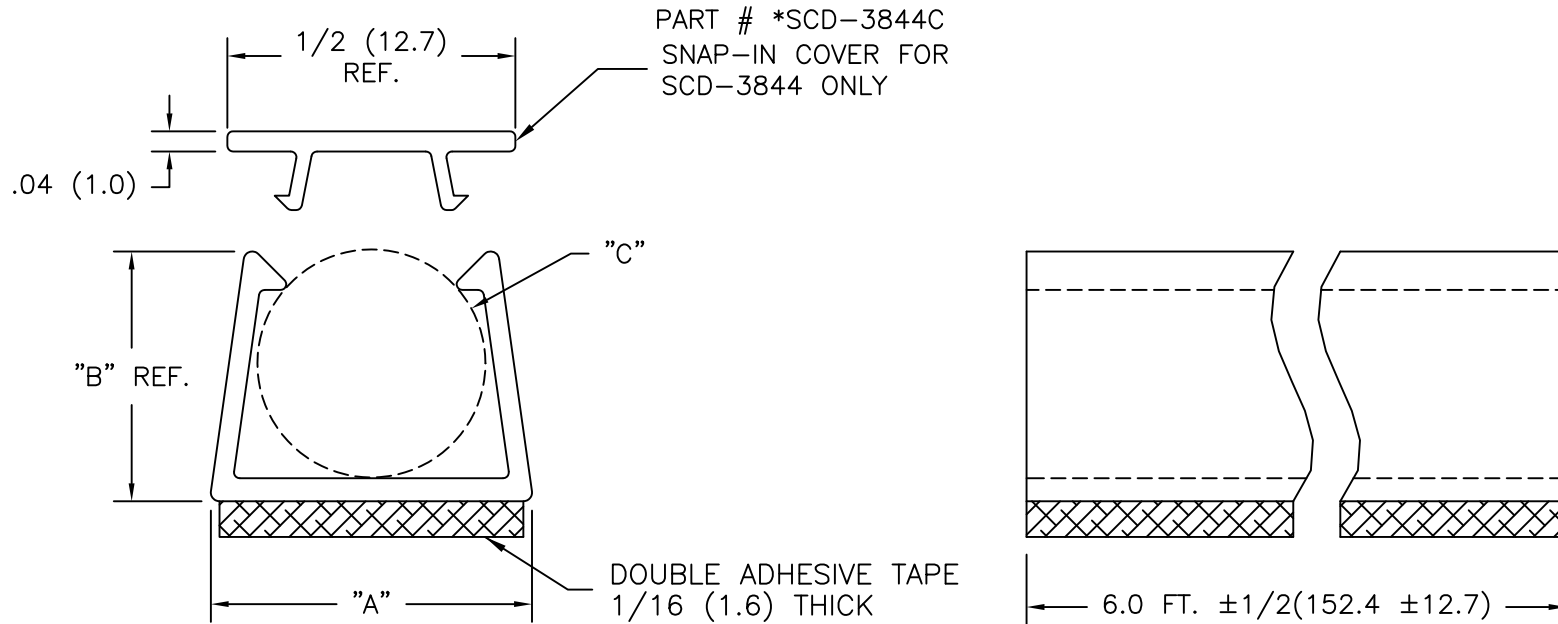


PART NO.	"A"	"B" REF.	"C" HOLDING DIA.	CABLE RECOMMENDATIONS	
				COAX	COMPUTER
SCD-1521	.30(7.6)	.25(6.4)	.156-.218(4.0-5.5)	RG58	
SCD-2228	.36(9.1)	.29(6.6)	.218-.280(4.0-7.1)	RG59,62,6	9 LINE
*SCD-2838	.47(11.9)	.38(9.8)	.280-.375(7.1-9.5)	TWINAX	9-15 LINE
*SCD-3844	.55(14.0)	.43(10.9)	.375-.438(9.5-11.1)		25 LINE

*PARTS AVAILABLE BY SPECIAL ORDER ONLY



NOTES:

1. MATERIAL: RIGID PVC (RMS-32).
2. COLOR: COMPUTER TAN.
3. ACRYLIC ADHESIVE TAPE (RMS-15), WHITE LINER.
4. MAX. OPR. TEMP.: 120° F.
5. AVAILABLE IN CUSTOM CUT LENGTH UPON REQUEST.
6. PACKAGING: 10 PIECES, 6 FT. LONG.

REV	DESCRIPTION	ENGR	DATE	TITLE:	FILE #	DWN:	APP:	PART #	PRINT TYPE
G	SEE CO 200604 FOR CHANGES	SK	12.01.10	SINGLE CABLE DUCT	SCD	R.S.	APP:	SEE TABLE	CA
F	RMS-32 WAS RMS-04 (ECN #465)	SM	09.19.02						
E	ADDED RMS-04 TO MAT'L NOTE	SM	08.05.02						
D	ADDED NOTE 6.	SM	03.20.02						
C	ADDED NOTE 3.	SM	06.29.01						
B	FILE # WAS 05530	RG11/17/00							
A	DIM DOUBLE ADHESIVE TAPE WAS NOTE 5	PB	102794	RE:	RICHCO, INC.	DT: 05-03-93	DT:	SEE TABLE	PRINT TYPE

TOLERANCES UNLESS NOTED	FILE #	DWN:	APP:	PART #	PRINT TYPE
.XX=±.020	SCD	R.S.	APP:	SEE TABLE	CA
.XXX=±.015	SEE NOTES	DT: 05-03-93	DT:		
FRAC=±1/32	RICHCO, INC.				
ANG=±1°	RICHCO INC.				
	PO BOX 804238, CHICAGO, 60680				
	(773) 539-4060				