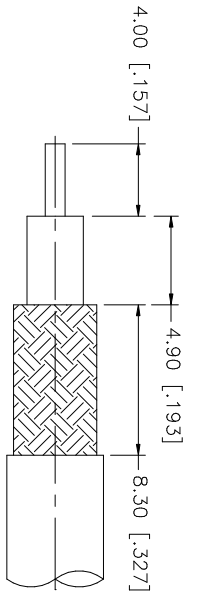
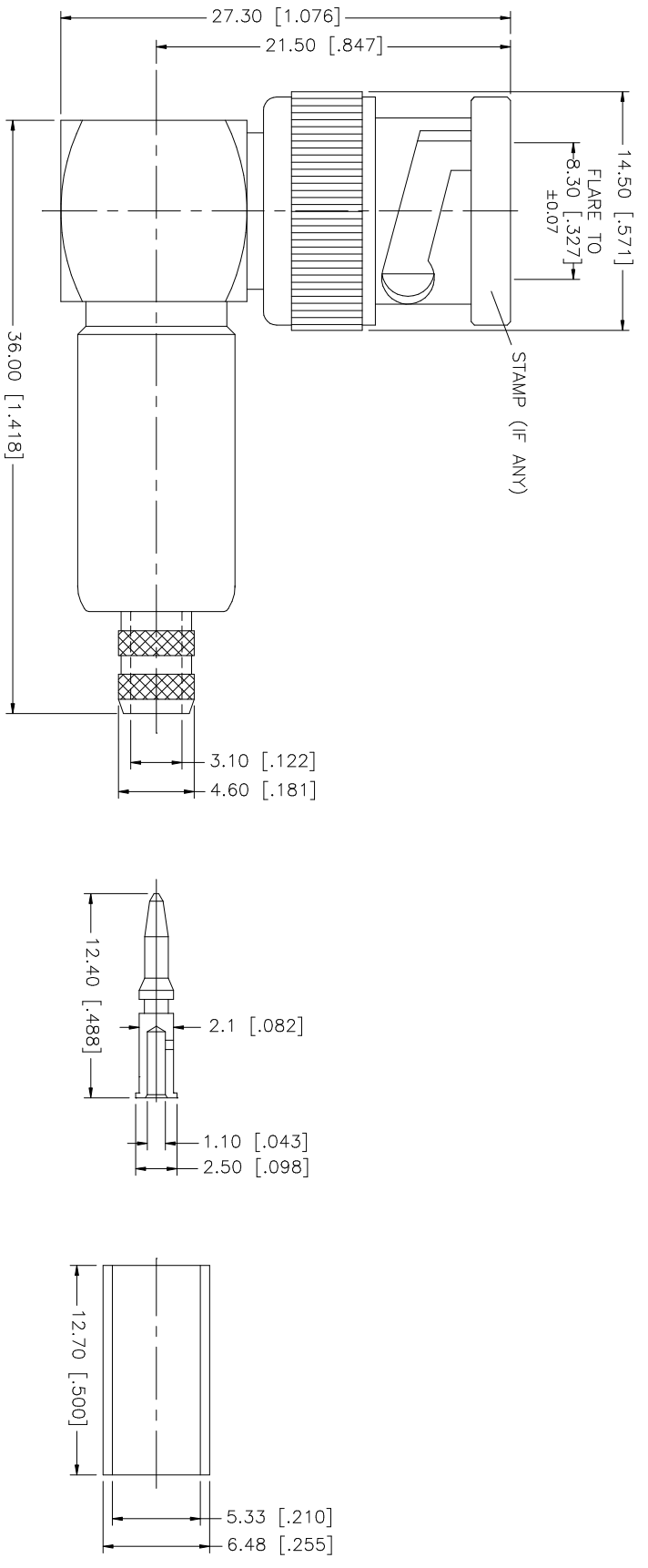


REV.	DATE	DESCRIPTION
NC	01/04/04	UPDATE DRAWING FORMAT



- NOTE:
1. CRIMPED FERRULE
HEX CRIMP SIZE .213"
 2. CRIMPED CONTACT PIN
HEX CRIMP SIZE .068"

UNLESS OTHERWISE SPECIFIED DIMENSIONS ARE IN MILLIMETERS. DIMENSIONS IN [] ARE IN INCHES AND FOR CUSTOMER REFERENCE ONLY.	UNLESS OTHERWISE SPECIFIED DIMENSIONS ARE IN MILLIMETERS ONLY.	UNLESS OTHERWISE SPECIFIED DIMENSIONS ARE IN INCHES ONLY.	UNLESS OTHERWISE SPECIFIED DIMENSIONS ARE IN MILLIMETERS ONLY.	UNLESS OTHERWISE SPECIFIED DIMENSIONS ARE IN INCHES ONLY.	UNLESS OTHERWISE SPECIFIED DIMENSIONS ARE IN MILLIMETERS ONLY.	UNLESS OTHERWISE SPECIFIED DIMENSIONS ARE IN INCHES ONLY.	UNLESS OTHERWISE SPECIFIED DIMENSIONS ARE IN MILLIMETERS ONLY.	UNLESS OTHERWISE SPECIFIED DIMENSIONS ARE IN INCHES ONLY.
8								
7								
6								
5	FERRULE	COPPER	NICKEL	1	0.5 - 8mm ± 0.20mm			
4	CONTACT PIN	PHOS. BRONZE	GOLD	1	8 - 30mm ± 0.40mm			
3	CONTACT PIN	BRASS	GOLD	2	30 - 120mm ± 0.50mm			
2	INSULATOR	DELRI	NATURAL	2	.020 - .315 = ± 0.007"			
1	BODY	BRASS	NICKEL	1	.315 - 1.180 = ± 0.015"			
					1.180 - 4.724 = ± 0.020"			
	DESCRIPTION	MATERIAL	FINISH	QTY	DO NOT SCALE DRAWING			
		APPROVALS		DATE				
		DRAWN G.R.S.		01/04/04				
		CHECKED						
		ISSUED						
		SHEET 1 OF 1						
		PART NO.						
		PART NO.						
		CAD FILE						
		C:/112/112182.DWG						
		DWG. NO.						
		112182.DWG						
		REV. NC						
		SIZE A						
		SCALE NA						
		PART DESCRIPTION						
		BNC R/A CRIMP PLUG						
		(FOR RG-58/U, 141/U CABLE)						
		112182						

Amphenol Connex