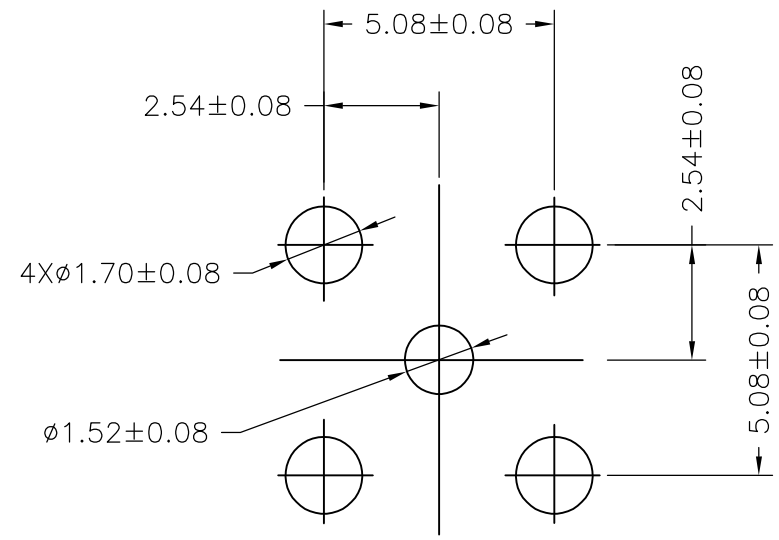


THIS DRAWING IS UNPUBLISHED. RELEASED FOR PUBLICATION  
 © COPYRIGHT - By - ALL RIGHTS RESERVED.

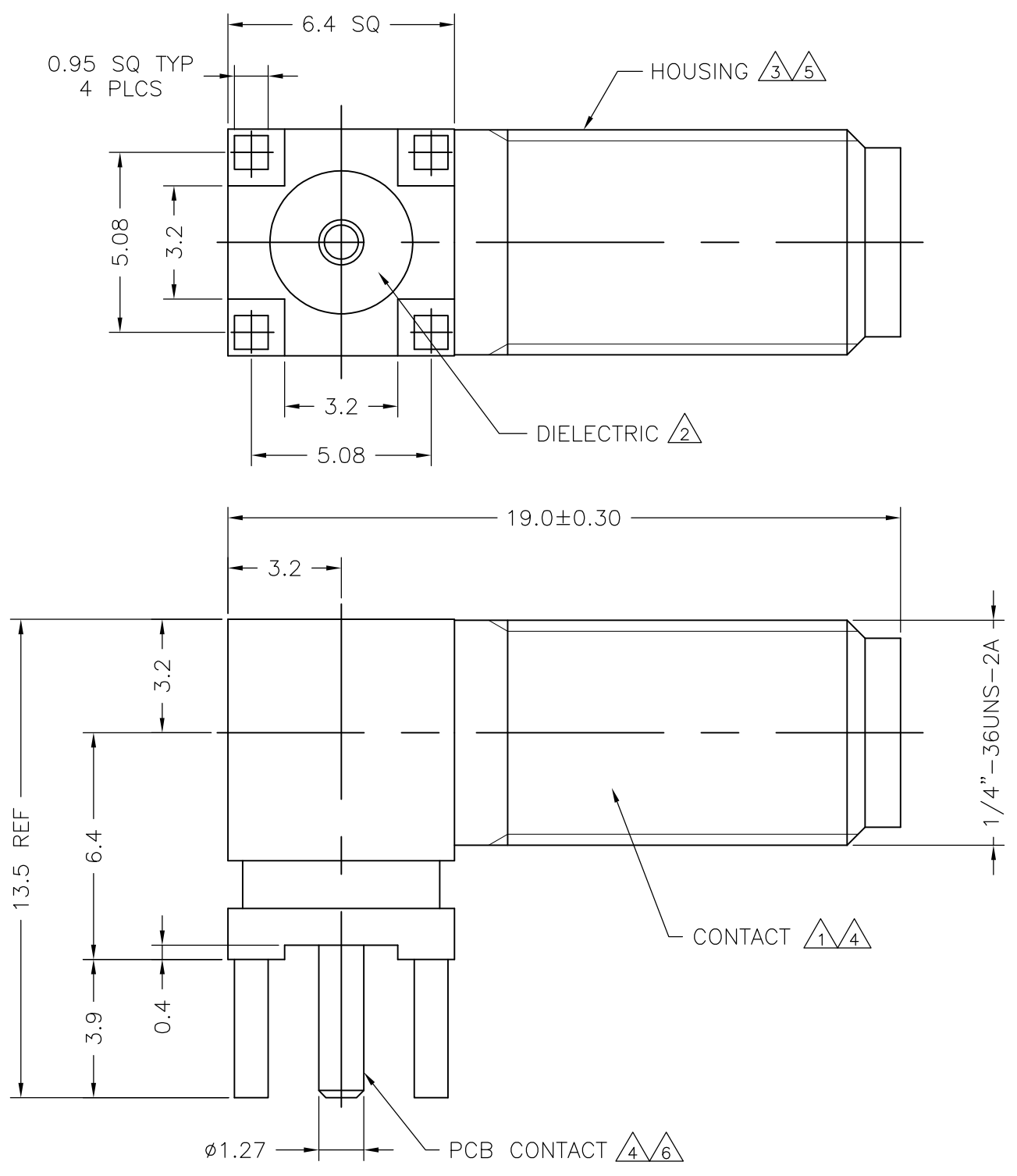
LOC	DIST	REVISIONS			
P	LTR	DESCRIPTION	DATE	DWN	APVD
	A	FIRST ISSUE	25 FEB 13	RZ	MY

- 1 BERYLLIUM COPPER
- 2 PTFE
- 3 ZINC ALLOY
- 4 GOLD PLATED
- 5 NICKEL PLATED
- 6 BRASS

7. PACKAGING: 1 PC/BAG, 200 PCS/BOX, 1200 PCS/CARTON



RECOMMENDED PCB LAYOUT



ELECTRICAL	MECHANICAL	ENVIRONMENTAL
Frequency Range (GHz) DC to 12GHz	Recommended Mating force or Torque 8 In-Lbs nominal	Temperature Rating -65°C TO +85°C
Voltage Rating (Peak) @ Sea Level 335 VAC RMS	Mating cycles 500	
Insulation Resistance (MIN.) 5000 M ohms	Note: Use of active flux may be needed to improve solder wetting.	
Contact Resistance (Milliohms MAX) Center Contact 3.0 Outer Contact 2.0		

THIS DRAWING IS A CONTROLLED DOCUMENT.		DWN RITA ZUO 11 JULY 2012
DIMENSIONS: mm		CHK BING LIU 11 JULY 2012
TOLERANCES UNLESS OTHERWISE SPECIFIED:		APVD MARTIN YE 11 JULY 2012
0 PLC ± -	1 PLC ± 0.2	NAME
2 PLC ± 0.15	3 PLC ± -	108-32039
4 PLC ± -	ANGLES ± 1	APPLICATION SPEC
MATERIAL SEE TABLE	FINISH SEE TABLE	SIZE CAGE CODE DRAWING NO RESTRICTED TO
		WEIGHT - A300779 C-619540
		CUSTOMER DRAWING SCALE 6:1 SHEET 1 OF 1 REV A

619540-1  
PART NUMBER

**STE** TE Connectivity

SMA JACK R/A PCB END