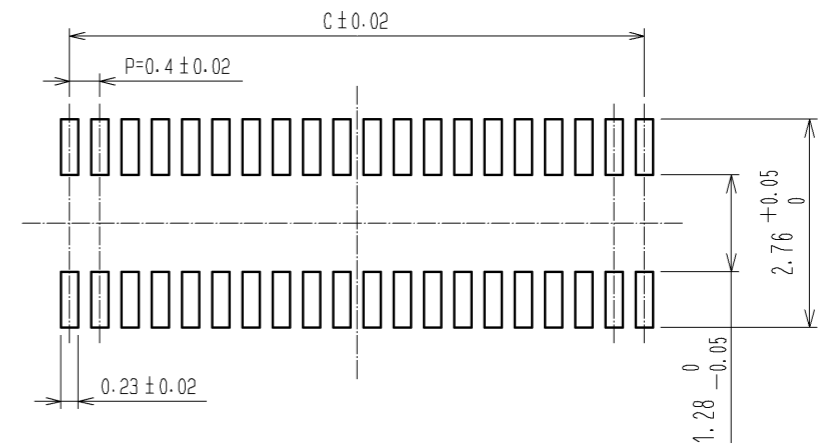


RECOMMENDED PATTERN



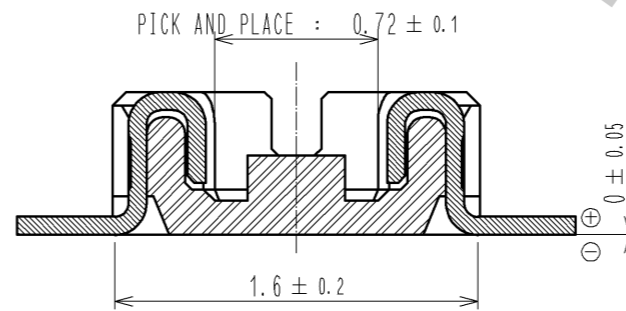
RECOMMENDED SOLDER PASTE : THICKNESS 120µm

- NOTE 1. ALL LEADS CO-PLANARITY SHALL BE 0.1 MAX.  
 2. PER REEL : 1000 CONNECTORS.  
 3. AT THE BEGINNING OF THE REEL, 100 mm AT MIN SHALL BE EMPTY POCKETS.  
 AT THE END OF THE REEL, 160 mm AT MIN SHALL BE EMPTY.

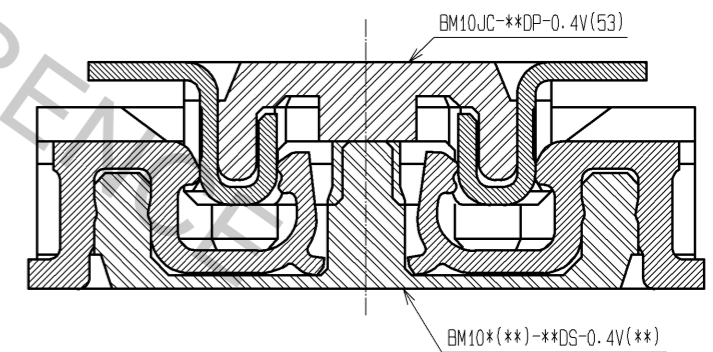
- 4 CONTACT PLATING SPECIFICATIONS.  
 CONTACT AREA : GOLD 0.05µm MIN.  
 SMT LEAD : GOLD 0.05µm MIN.  
 UNDERPLATING : NICKEL 1µm MIN.  
 (SURFACE : SEALING)

PART No.	CODE No.	B	C	D
BM10JC-10DP-0.4V(53)	CL684-6062-3-53	3.32	1.6	0.8
BM10JC-16DP-0.4V(53)	CL684-6060-8-53	4.52	2.8	1.6
BM10JC-20DP-0.4V(53)	CL684-6058-6-53	5.32	3.6	1.6
BM10JC-24DP-0.4V(53)	CL684-6050-4-53	6.12	4.4	2.0
BM10JC-30DP-0.4V(53)	CL684-6052-0-53	7.32	5.6	2.0
BM10JC-34DP-0.4V(53)	CL684-6064-9-53	8.12	6.4	2.4
BM10JC-40DP-0.4V(53)	CL684-6054-5-53	9.32	7.6	2.4
BM10JC-44DP-0.4V(53)	CL684-6074-2-53	10.12	8.4	2.8
BM10JC-50DP-0.4V(53)	CL684-6066-4-53	11.32	9.6	2.8
BM10JC-60DP-0.4V(53)	CL684-6056-0-53	13.32	11.6	3.2
BM10JC-80DP-0.4V(53)	-	17.32	15.6	4.0

A-A



ENGAGEMENT FIGURE



NO.	MATERIAL	FINISH . REMARKS	NO.	MATERIAL	FINISH . REMARKS
2	PHOSPHOR BRONZE	4	5	PS	PLASTIC REEL (BLACK)
1	LCP	UL94V-0 . BLACK	4	POLYESTER	CLEAR(COVER TAPE)
			3	PS	CLEAR(EMBOSSED CARRIER TAPE)

UNITS	SCALE	COUNT	DESCRIPTION OF REVISIONS	DESIGNED	CHECKED	DATE
mm	10 : 1	3	DIS-H-004474	MH. TAKESHITA	TS. MIYAZAKI	10.02.05

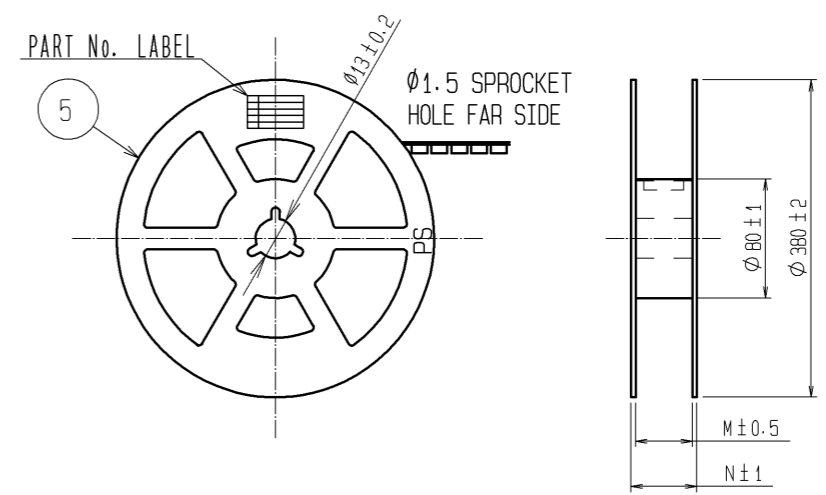
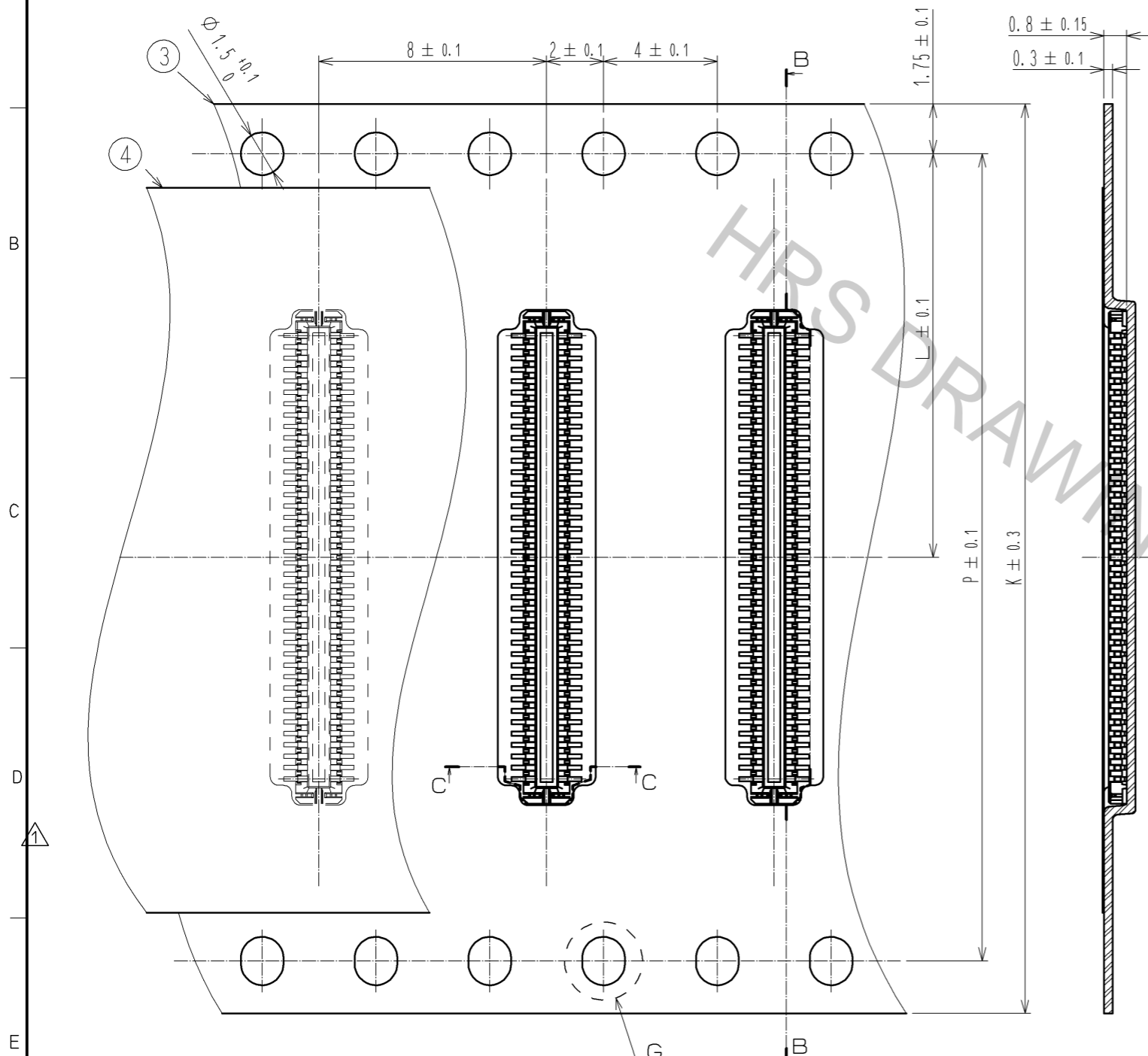
  

APPROVED	DATE	DRAWING NO.
KH. IKEDA	09.06.09	EDC3-321364-53
CHECED	DATE	PART NO.
KY. MIDORIKAWA	09.06.09	BM10JC- *DP-0.4V(53)
DESIGNED	DATE	CODE NO.
SH. HOSODA	09.06.08	CL684
DRAWN	DATE	
SH. HOSODA	09.03.03	

EMBOSED CARRIER TAPE DIMENSIONS (5:1)

B-B

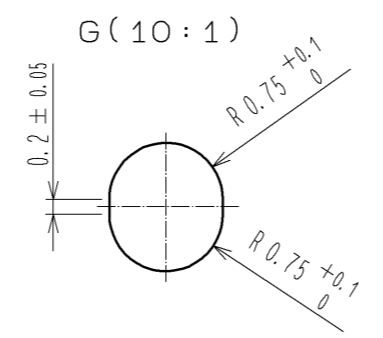
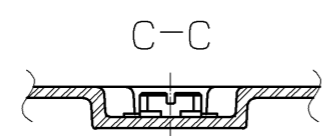
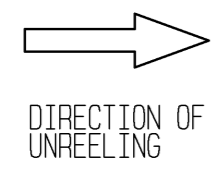
STYLE AND DIMENSION OF REEL (FREE SIZE)



DETAIL OF PART No. LABEL

SUPPLIER	HIROSE ELECTRIC CO., LTD.
QUANTITY	1000
PART NO.	BM10JC- <i>DP</i> -0.4V(53)
CODE NO.	CL684
DATE OF MANUFACTURED	年月日
生産月日	年月日
図番	** ** *
品名	BM10JC- <i>DP</i> -0.4V(53)
納入数量	1000個
納入者	ヒロセ電機(株)

PART No.	CODE No.	K	L	M	N	P
BM10JC-10DP-0.4V(53)	CL684-6062-3-53	12	5.5	13.5	17.5	—
BM10JC-16DP-0.4V(53)	CL684-6060-8-53	16	7.5	17.5	21.5	—
BM10JC-20DP-0.4V(53)	CL684-6058-6-53	16	7.5	17.5	21.5	—
BM10JC-24DP-0.4V(53)	CL684-6050-4-53	16	7.5	17.5	21.5	—
BM10JC-30DP-0.4V(53)	CL684-6052-0-53	16	7.5	17.5	21.5	—
BM10JC-34DP-0.4V(53)	CL684-6064-9-53	16	7.5	17.5	21.5	—
BM10JC-40DP-0.4V(53)	CL684-6054-5-53	24	11.5	25.5	29.5	—
BM10JC-44DP-0.4V(53)	CL684-6074-2-53	24	11.5	25.5	29.5	—
BM10JC-50DP-0.4V(53)	CL684-6066-4-53	24	11.5	25.5	29.5	—
BM10JC-60DP-0.4V(53)	CL684-6056-0-53	24	11.5	25.5	29.5	—
BM10JC-80DP-0.4V(53)	-	32	14.2	33.5	37.5	28.4



<b>HRS</b>	DRAWING NO.	EDC3-321364-53
	PART NO.	BM10JC- <i>DP</i> -0.4V(53)
	CODE NO.	CL684