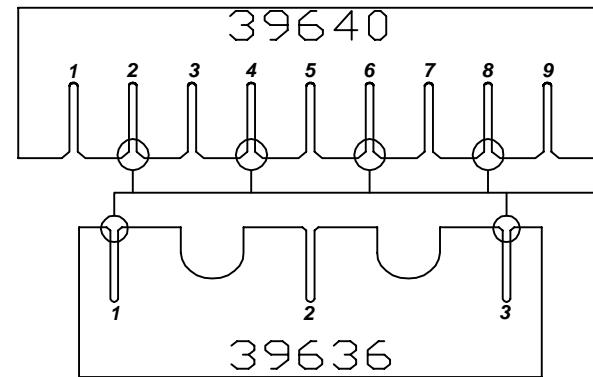


Assembly Instructions for - 37196

Folded Long Partition

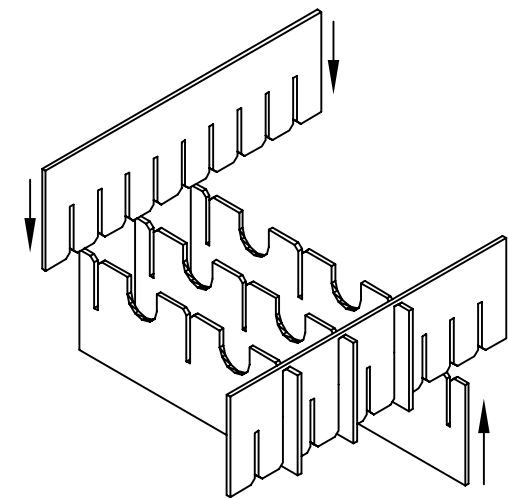
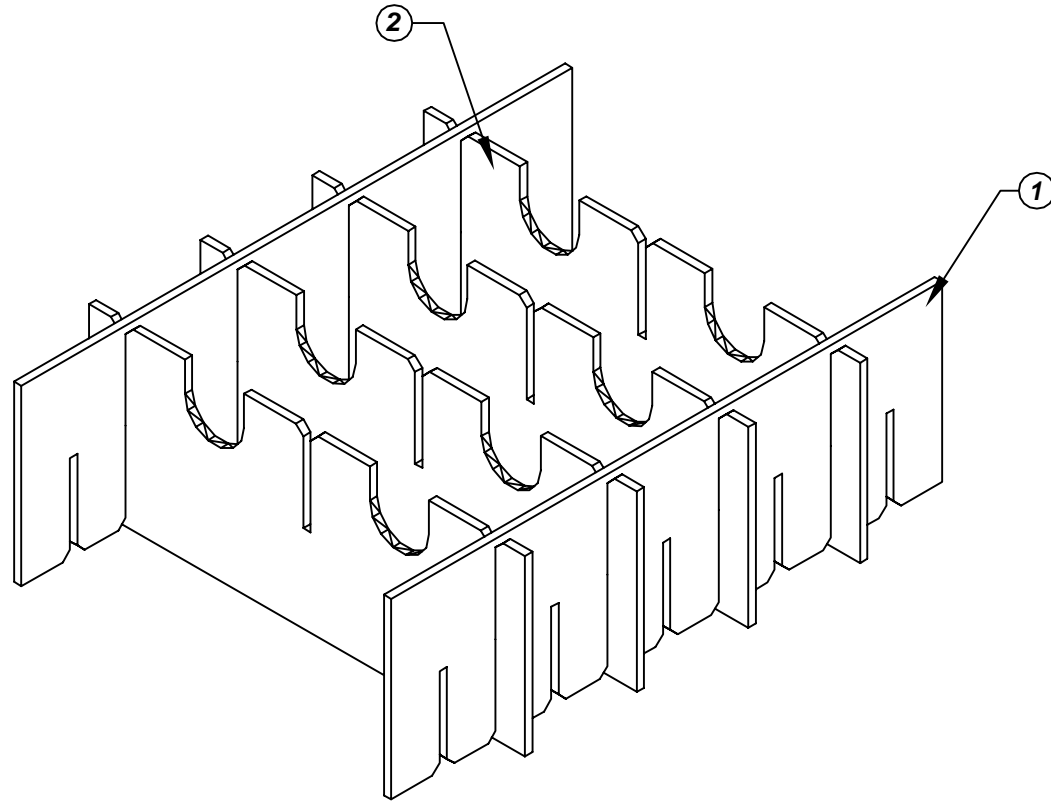


①

Use only the circled slots for partition assembly

②

Folded Short Partition



Made in America

F/N ①	Part # 39640	Dimensions: 12" x 18-5/8"	Description: 406-HLP Long Partition	Qty: 2
F/N ②	Part # 39636	Dimensions: 12" x 14-3/4"	Description: 406/468-HSP Short Partition	Qty: 4

37196 - 5 Cell Inplant Handler Cell Size - 5-7/8" x 12-3/4" x 3-5/8"

Notes:
For use with the following storage container & lid:
37506 - Storage Container
37554 - Lid

PROTEKTIVE PAK
13520 MONTE VISTA AVENUE, CHINO, CA 91710
PHONE (909) 627-2578, FAX (909) 363-7331
ProtektivePak.com



DRAWING NUMBER
IPH-37196

DATE
Nov. 2007