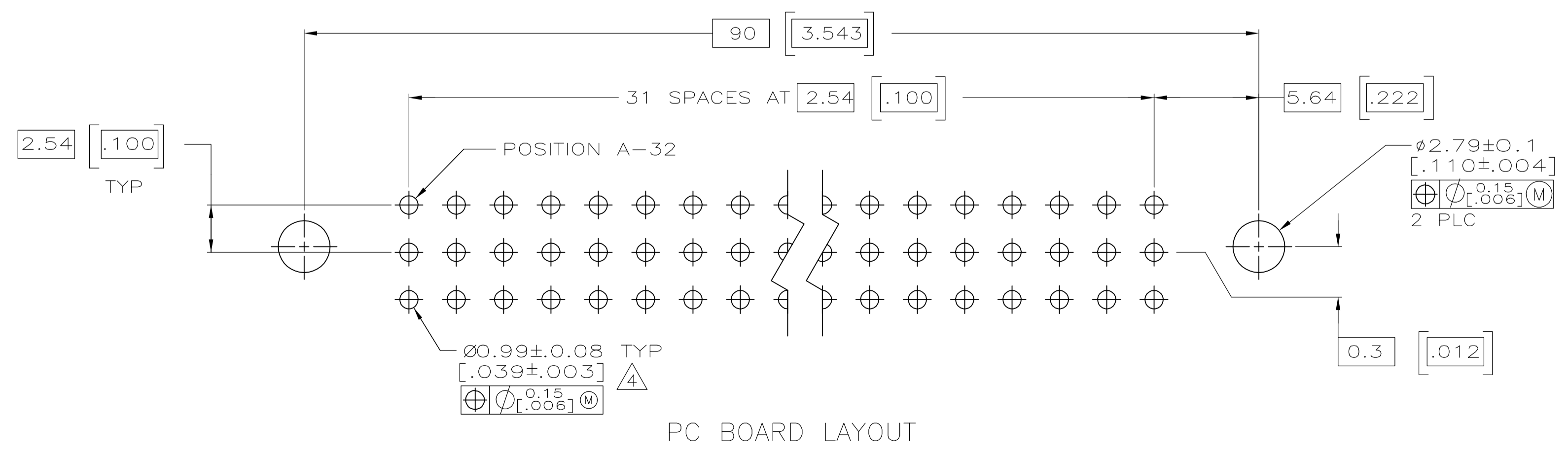
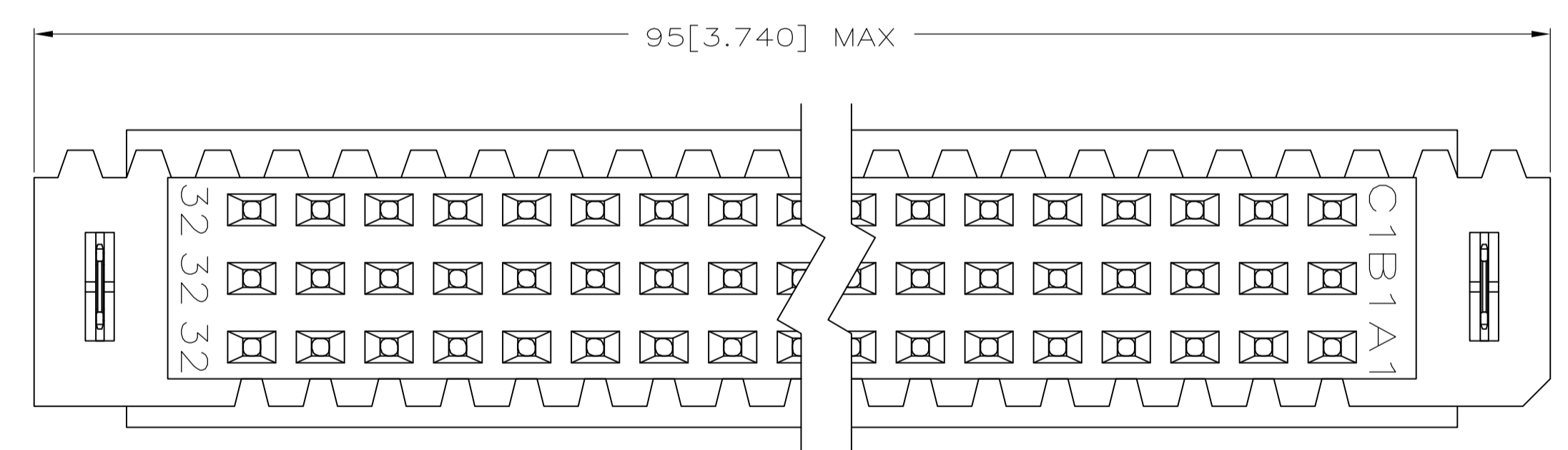
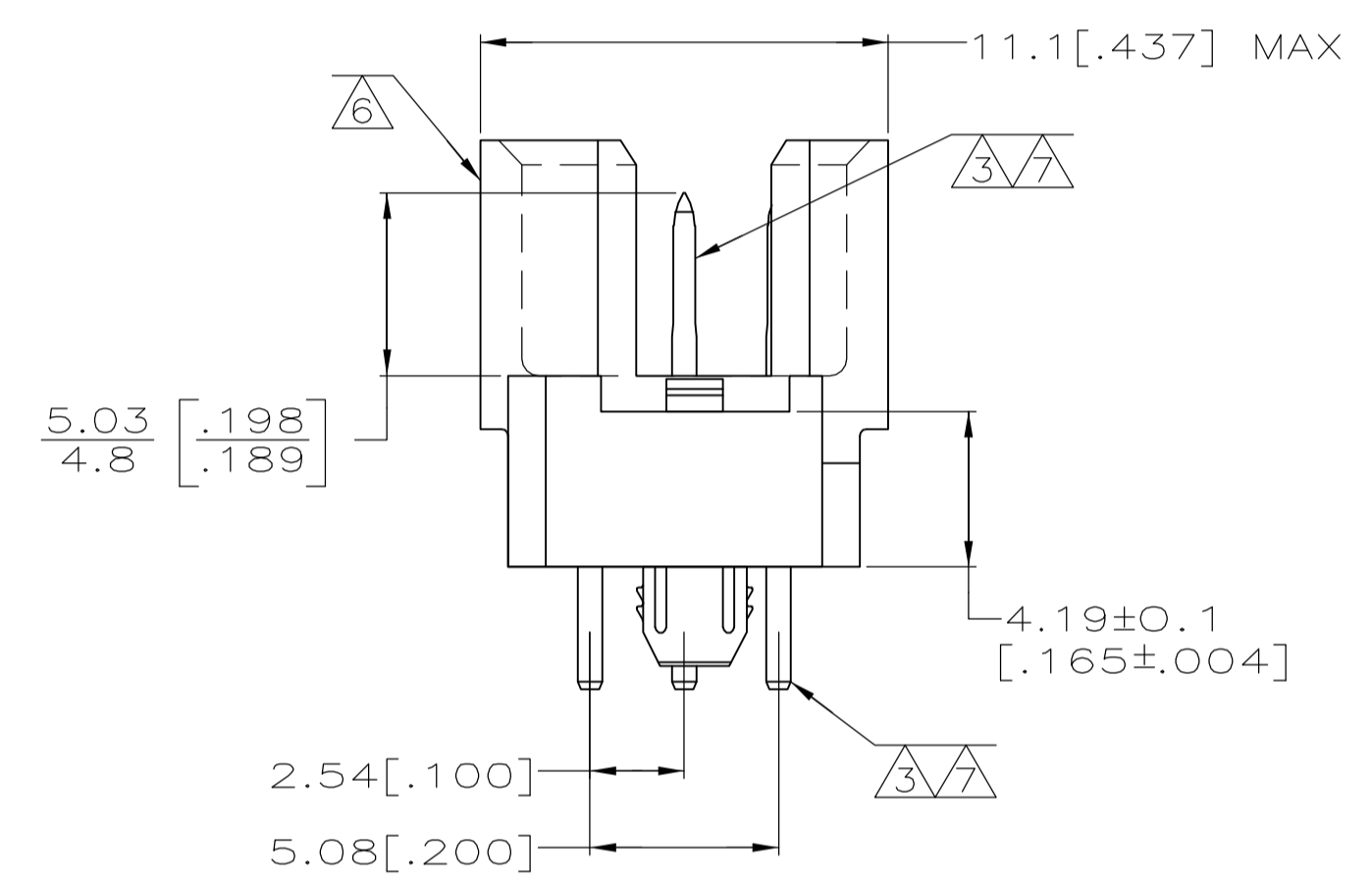
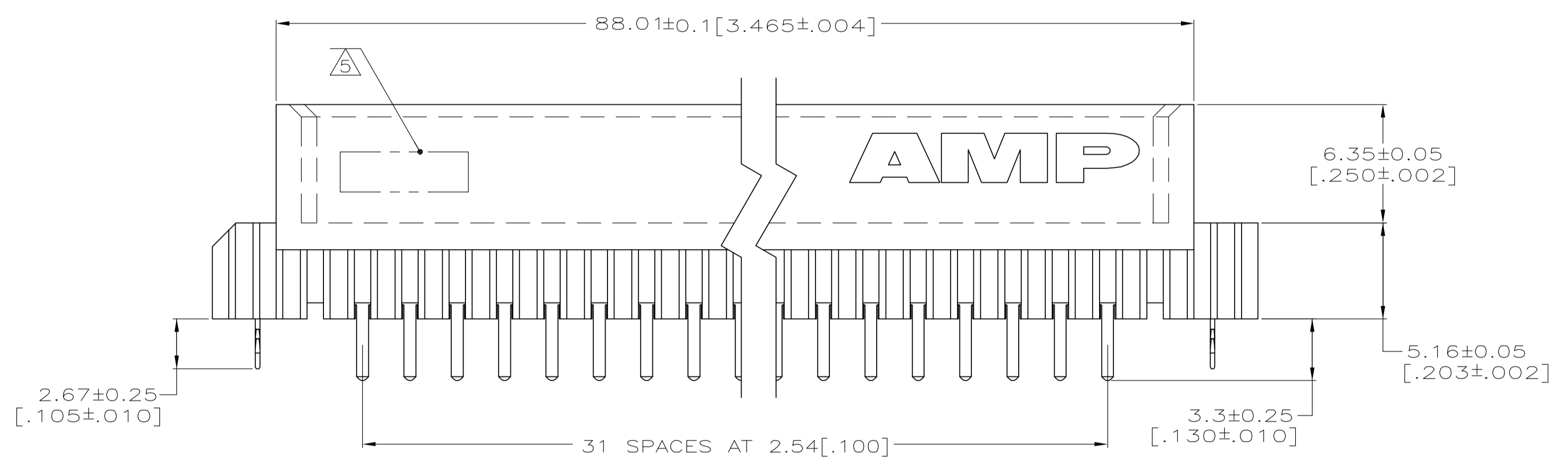
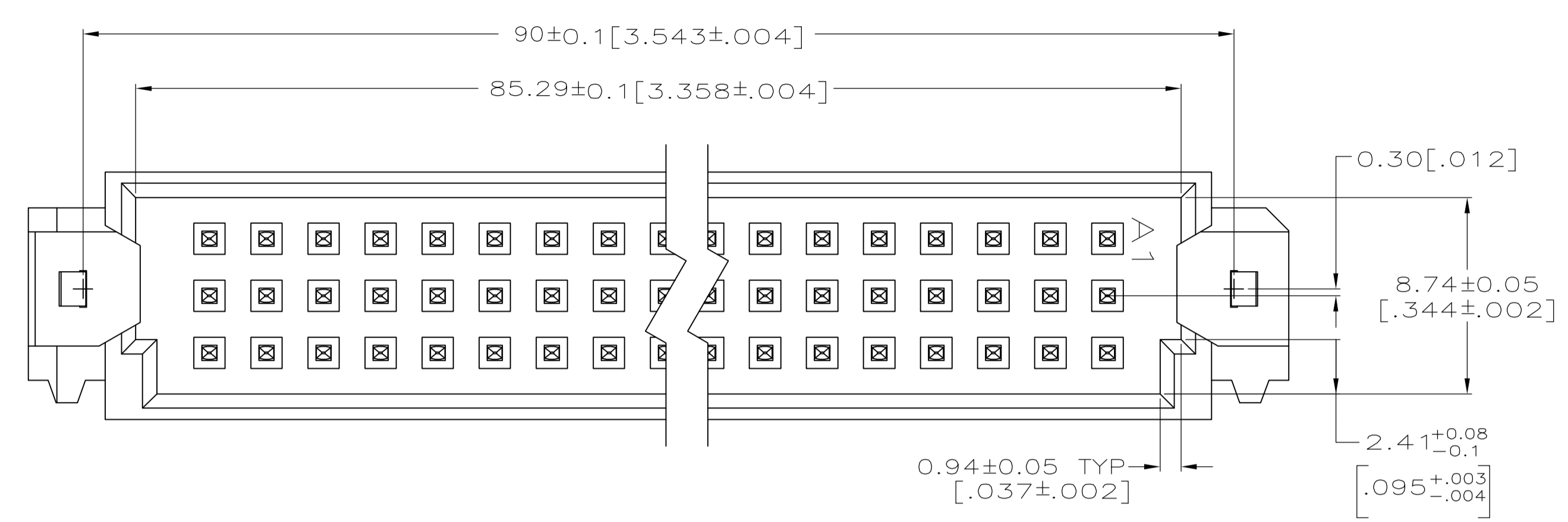


- ① HOUSING MATERIAL: GLASS-FILLED POLYESTER. COLOR: GRAY.
- ② POST MATERIAL: BRASS.
- ③ POST FINISH: DIN 41612 CLASS 2 IN CONTACT AREA. TIN-LEAD PLATE ON POSTS.
- ④ RECOMMENDED HOLE SIZE FOR MANUAL APPLICATION OF CONNECTOR ONTO PC BOARD.
- ⑤ PART NUMBER, DATE CODE MARKED THIS APPROXIMATE AREA.
- ⑥ MARKING ON THIS SIDE.
- ⑦ POST FINISH: DIN 41612 CLASS 3 IN CONTACT AREA. TIN-LEAD PLATE ON POSTS.



SUPERSEDED BY 536035-5	①	1-32	X	X	X	96	536035-9
OBSELETE	②	1-32	X	X	X	96	536035-5
NOTES		POSITIONS LOADED	C	B	A	NO. OF LOADED POSITIONS	PART NUMBER
		ROWS LOADED					

THIS DRAWING IS A CONTROLLED DOCUMENT.		DWN L. BRINER 11/12/91	Tyco Electronics Corporation Harrisburg, PA 17105-3608
DIMENSIONS: mm [INCHES]		CHK N. DRASHER 12/12/91	
TOLERANCES UNLESS OTHERWISE SPECIFIED:		APVD N. DRASHER 12/12/91	NAME PIN ASSEMBLY, EUROCARD, TYPE R, WITH BOARD-LOCKS
0 PLC ± -	1 PLC ± -	PRODUCT SPEC	APPLICATION SPEC
2 PLC ± -	3 PLC ± 0.13 [.005]	SIZE	CAGE CODE
4 PLC ± -	ANGLES ± -	WEIGHT	DRAWING NO.
MATERIAL	FINISH	A1	00779
① ②	③ ④	C=536035	RESTRICTED TO
CUSTOMER DRAWING		SCALE 5:1	SHEET 1 OF 1 REV F