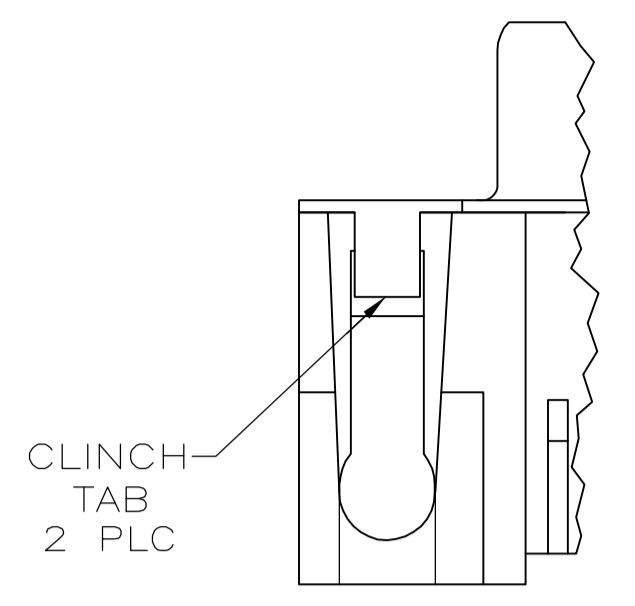
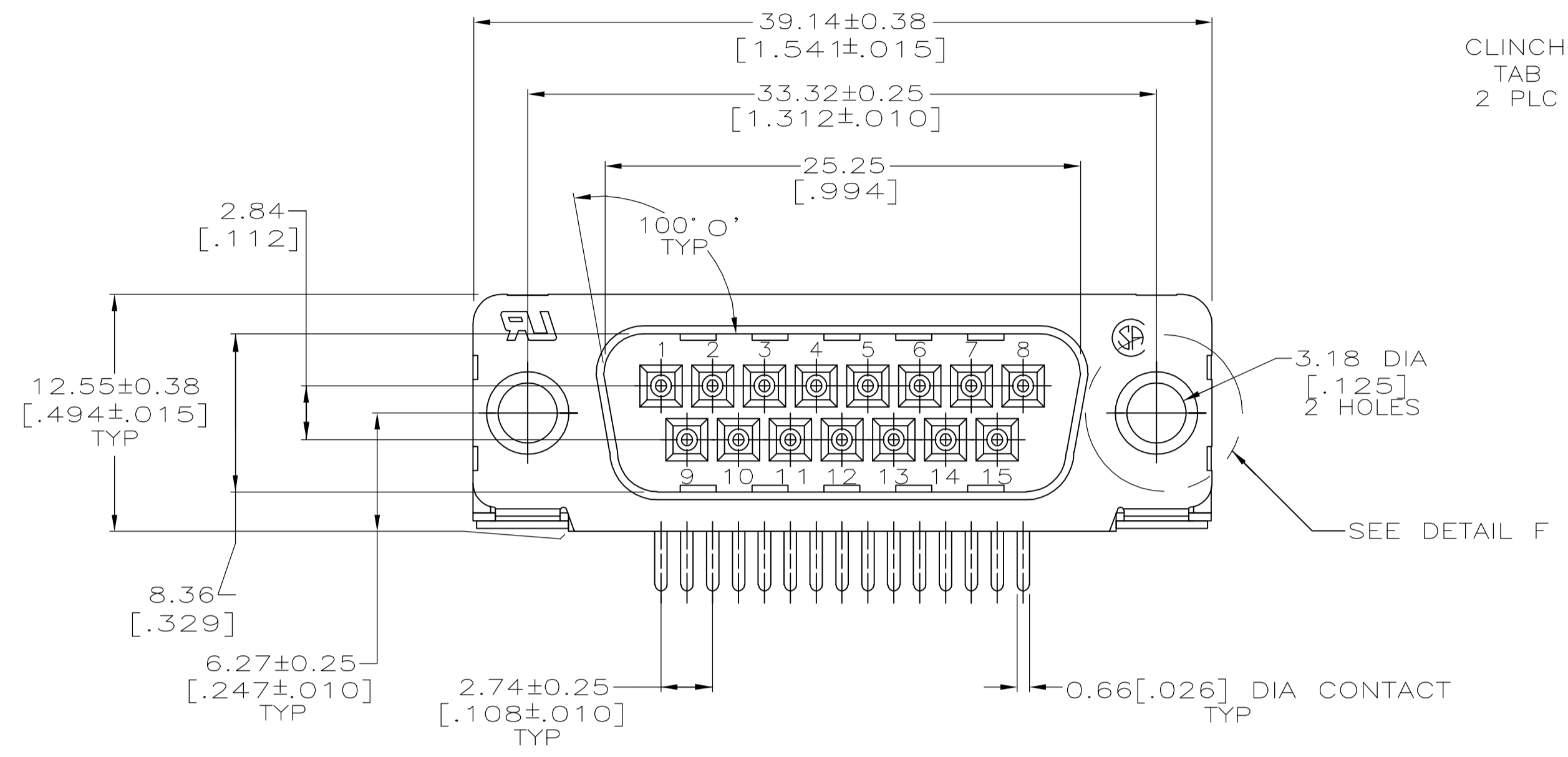


LOC		DIST		REVISIONS			
GP	00	P	LTR	DESCRIPTION	DATE	DN	APVD
		R		REVISED PER ECO-06-010443	28AUG06	JRP	SB

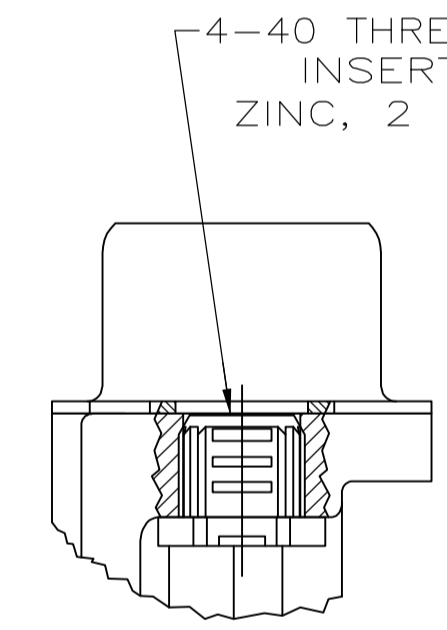
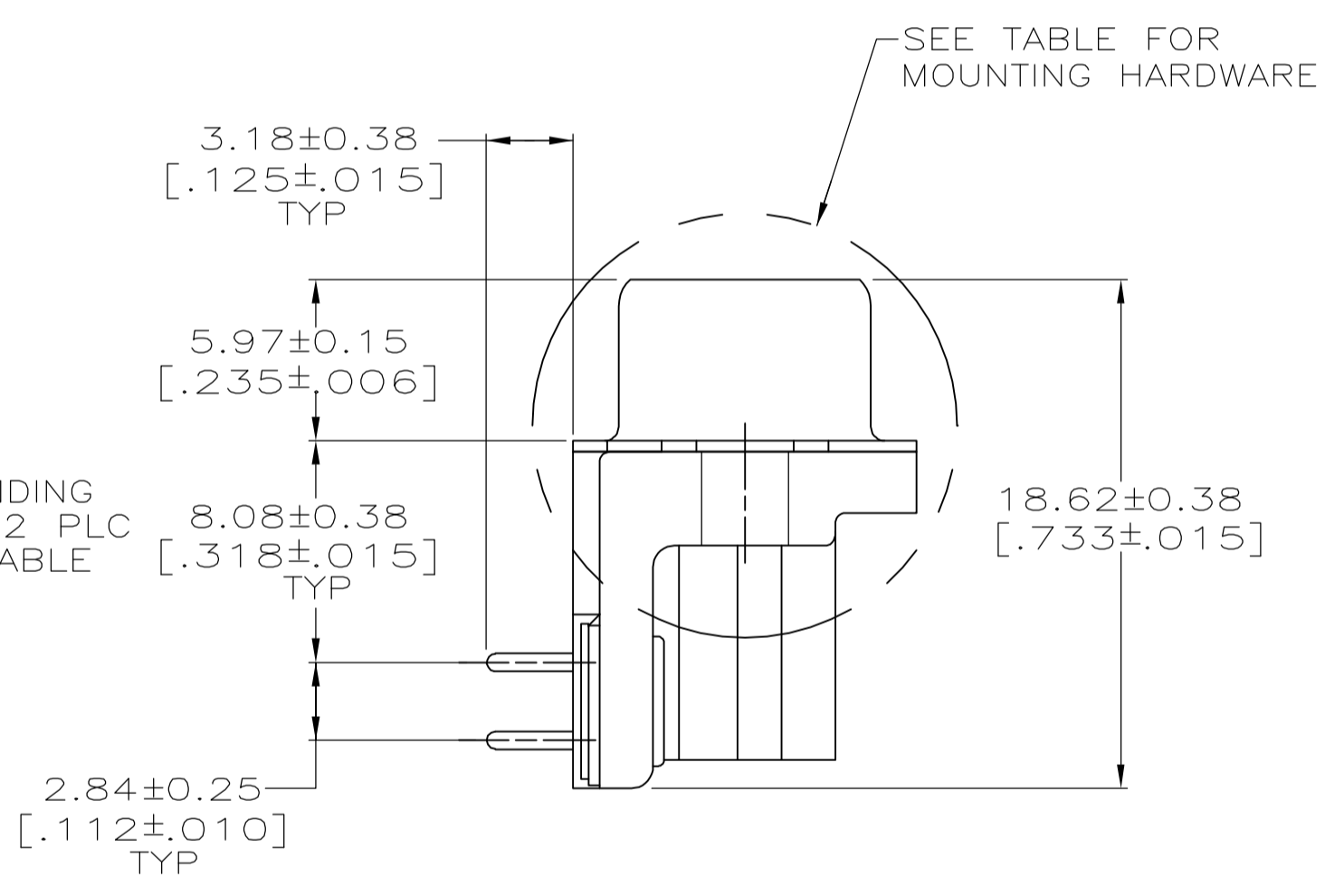
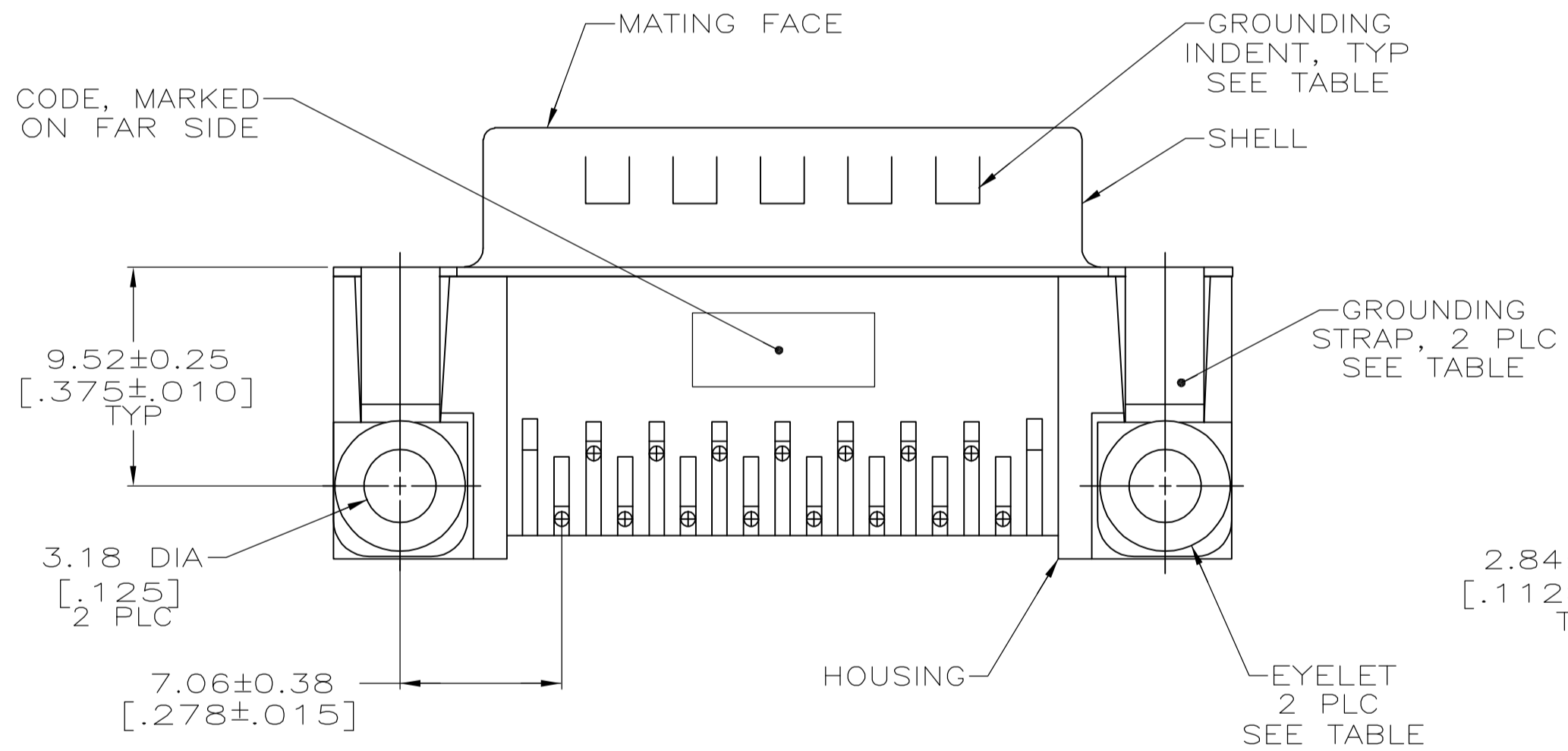
- 1 NYLON OR POLYESTER, FLAME RETARDANT, UL 94V-0 RATED, GLASS FILLED, BLACK.
- 2 BRASS PER MIL-C-50.
- 3 CARBON STEEL PER ASTM A109.
- 4 GOLD PLATING PER MIL-G-45204; NICKEL PLATING PER QQ-N-290; TIN PLATING PER MIL-T-10727; COPPER PLATING PER MIL-C-14550.
- 5 2.54 μm [.000100] MIN TIN OVER 1.27 μm [.000050] MIN COPPER.
- 6 5.08 μm [.000200] MIN TIN OVER COPPER FLASH.
- 7 GOLD PLATED FOR A LENGTH OF 3.81 [.150] MIN FROM MATING END, GOLD FLASH IN MATED AREA, 2.54 μm [.000100] MIN TIN OR TIN-LEAD FOR A LENGTH OF 3.56 [.140] MIN FROM OPPOSITE END, BOTH OVER 1.27 μm [.000050] MIN NICKEL.
- 8 GOLD PLATED FOR A LENGTH OF 3.81 [.150] MIN FROM MATING END, 0.76 μm [.000030] MIN GOLD IN MATED AREA, 2.54 μm [.000100] MIN TIN OR TIN-LEAD FOR A LENGTH OF 3.56 [.140] MIN FROM OPPOSITE END, BOTH OVER 1.27 μm [.000050] MIN NICKEL.
- 9 OBSOLETE PART NUMBER.
- 10 SUPERSEDED BY 747236-2.
- 11 SUPERSEDED BY 747236-6.



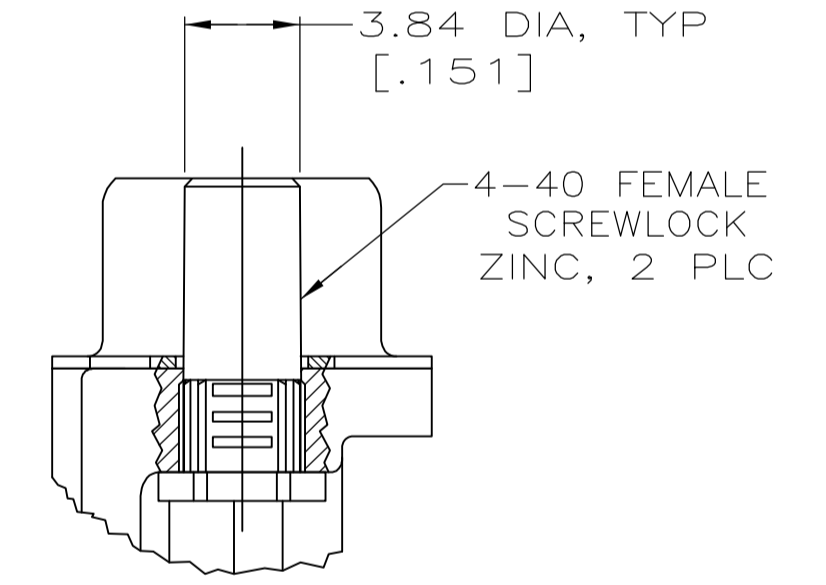
DETAIL B



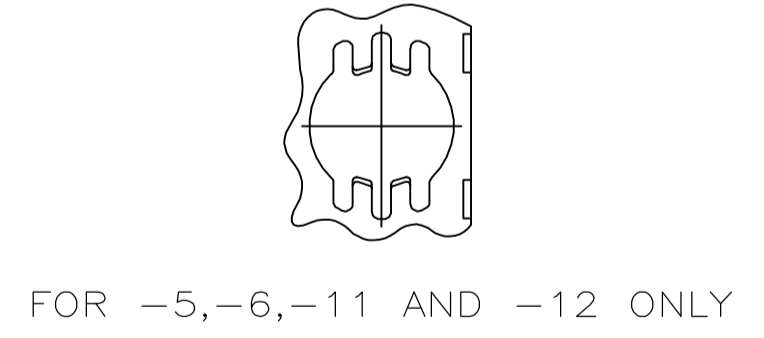
AMP, PART NO & DATE CODE, MARKED IN AREA INDICATED, ON FAR SIDE



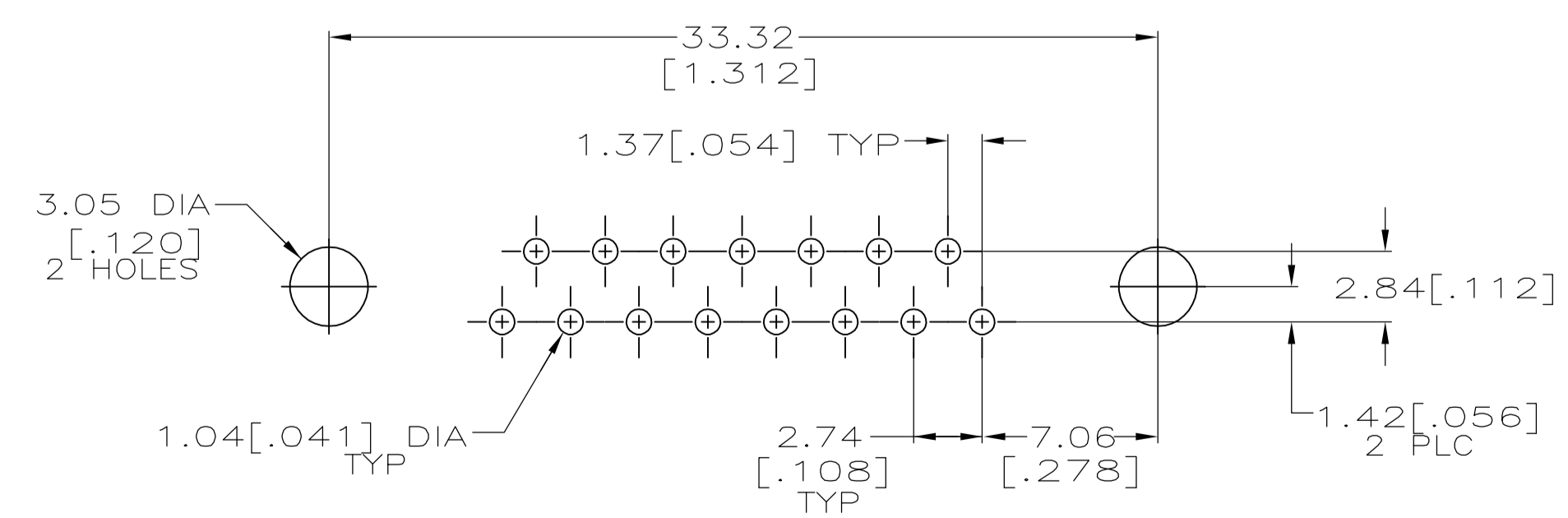
DETAIL D



DETAIL E



DETAIL F
2 PLC



P.C. BOARD MOUNTING DIMENSIONS

NO	YES	YES	-	8	10	1-747236-3
			SEE DETAIL E	8	9	1-747236-2
	NO SEE DETAIL B	NO	SEE DETAIL D	7	9	1-747236-1
			-	8	9	1-747236-0
			-	7	9	747236-9
			-	8	9	747236-8
			-	7	9	747236-7
			SEE DETAIL E	8	11	747236-6
	YES	YES	SEE DETAIL D	8	9	747236-5
			-	7	9	747236-4
			-	8	9	747236-3
			-	7	10	747236-2
			-	7	10	747236-1
GROUNDING INDENTS	GROUNDING STRAPS	EYELETS	MOUNTING HARDWARE	CONTACT FINISH		PART NUMBER

THIS DRAWING IS A CONTROLLED DOCUMENT. DWG: W.G. LENKER 05 OCT 89
 CHK: R. STONE 05 FEB 90
 APVD: W.D. GALLOWAY 05 FEB 90
 NAME: PLUG ASSEMBLY, SIZE 2, 15 POSITION, RIGHT ANGLE, FRONT METAL SHELL, .378 SERIES, AMP LIMIT, FD-20
 APPLICATION SPEC: 108-40025
 SIZE: 114-40010
 WEIGHT: -
 MATERIAL: HOUSING: 1
 SHELL: 2
 EYELETS: BRASS
 FINISH: 3
 CONTACTS: SEE TABLE
 SHELL: CLEAR CHROMATE
 INSERTS: CLEAR CHROMATE
 SCREWLOCKS: CLEAR CHROMATE
 TOLERANCES UNLESS OTHERWISE SPECIFIED:
 0 PLC ± -
 1 PLC ± -
 2 PLC ± -
 3 PLC ± 0.13(.005)
 4 PLC ± -
 ANGLES ± -
 Tyco Electronics Corporation
 Harrisburg, PA 17105-3608
 100% OBSOLETE
 NO TO BE LATEST REVISION
 A1 00779 ©=747236
 CUSTOMER DRAWING
 SCALE: 4:1 SHEET: 1 OF 1 REV: R