

STUD SIZE	±.007 "S" DIA.	REF. "K" DIA.
#6	.146	.236
#8	.173	.263
#10	.198	.288

D

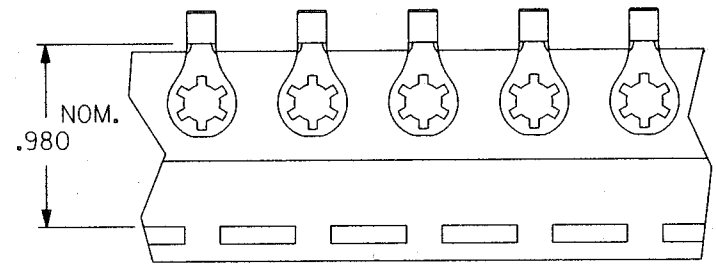
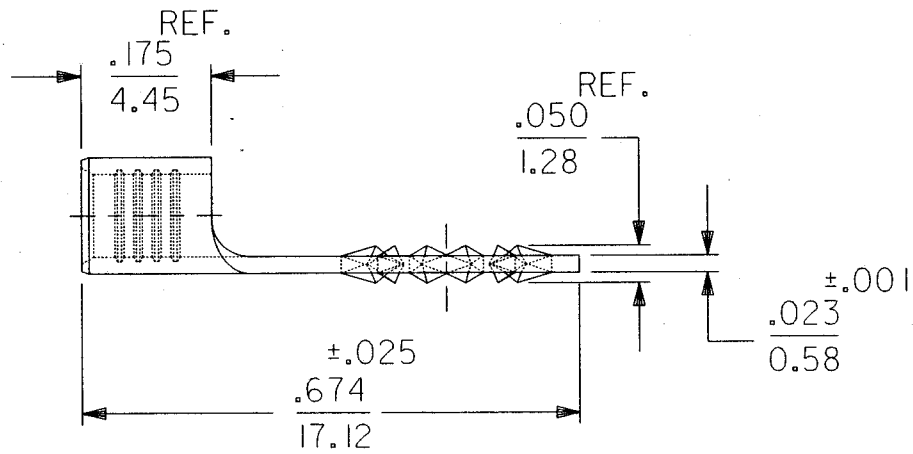
D

C

C

B

B



TO ORDER PARTS ON TAPE ADD A "T" TO THE END OF THE PART NUMBER

TERMINAL MATERIAL: SEE CHART
TERMINAL PLATING: ELECTRO-TIN

PART NO. BRASS	PART NO. STEEL	WIRE RANGE AWG / MM ²	I.D. MIN.
SRA-129-	SRA-S-129-	22-18/.25-1.3	.073/1.85 (B)
SRB-129-	SRB-S-129-	16-14/1.0-2.6	.100/2.54 (B)

B	ETC2005-1112 ID TYPO RWD 05/01/05
A	SEE DCN# 764 10/07/91 RCM
LTR.	REVISIONS

A

A

REVISE ONLY ON CAD SYSTEM

TITLE
KRIMPTITE
STAR RING TONGUE
TERMINALS

SALES
DRAWING

DRWG. BY	RCM
CHK'D. BY	JM
APP'D. BY	FP
SCALE	NO:NE

moLEX ETC INC.
PINELLAS PARK, FLA. 34665 U.S.A.

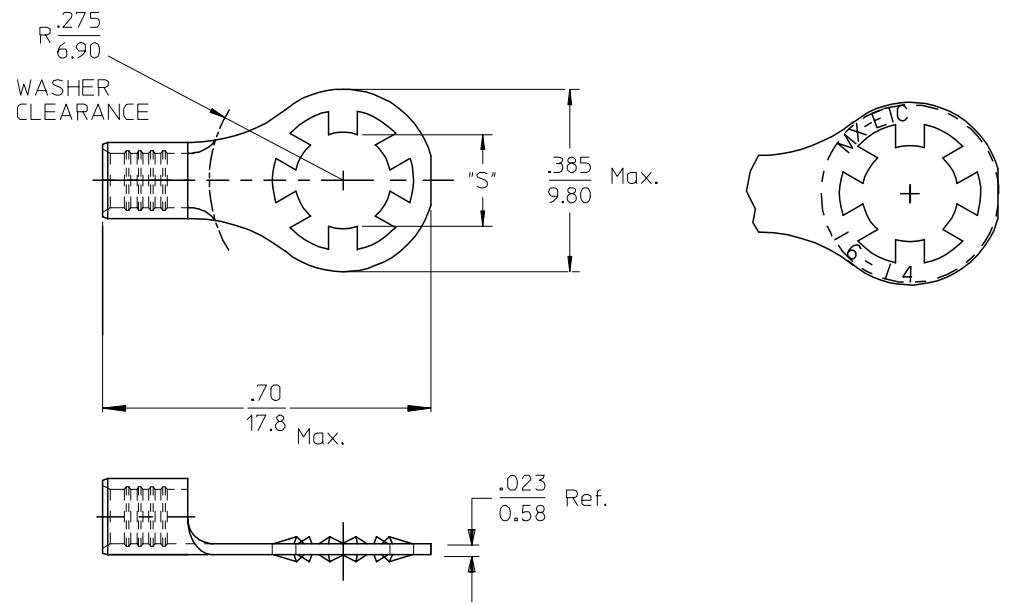
PART NO. SEE TABLE

DRWG. NO. CD-1115

SHEET NO. DATE 09/05/91

FILE NAME CD1115 THIS DRAWING CONTAINS INFORMATION THAT IS PROPRIETARY TO MOLEX-ETC INC. AND SHOULD NOT BE USED WITHOUT WRITTEN PERMISSION. DIV. SIZE A

MATERIAL NO.	ENG. NO.	STUD SIZE	"S" DIA.
190740015	SRB-129-06	6	.146
190740017	SRB-129-08	8	.173
190740019	SRB-129-10	10	.198



MATERIAL: BRASS
FINISH: ELECTRO-TIN PLATING

INITIAL RELEASE EC NO: ETC2006-0358 DRWN: JSCHOOLEY 2006/04/10 CHKDR: DEROSS 2006/04/12 APPR: RDEROSS 2006/04/13	QUALITY SYMBOLS ▽=0 ▽=0	GENERAL TOLERANCES (UNLESS SPECIFIED)		DIMENSION STYLE	SCALE	DESIGN UNITS	THIRD ANGLE PROJECTION	
		mm	INCH	IN/MM	4:1	INCH		
		4 PLACES ± ---	± ---	DRAWN BY	DATE	TITLE		
		3 PLACES ± ---	± .005	JBS	2006/04/05	LOCKING RING TONGUE TERMINAL 16-14 AWG		
2 PLACES ± 0.13	± .01	CHECKED BY	DATE	MATERIAL NO.			SHEET NO.	
1 PLACE ± 0.25	± ---	R DEROSS	2006/04/05	SEE CHART			SD-19074-001	
ANGULAR ±1/2°		APPROVED BY	DATE	THIS DRAWING CONTAINS INFORMATION THAT IS PROPRIETARY TO MOLEX INCORPORATED AND SHOULD NOT BE USED WITHOUT WRITTEN PERMISSION			1 OF 1	
DRAFT WHERE APPLICABLE MUST REMAIN WITHIN DIMENSIONS		R DEROSS	2006/04/05					