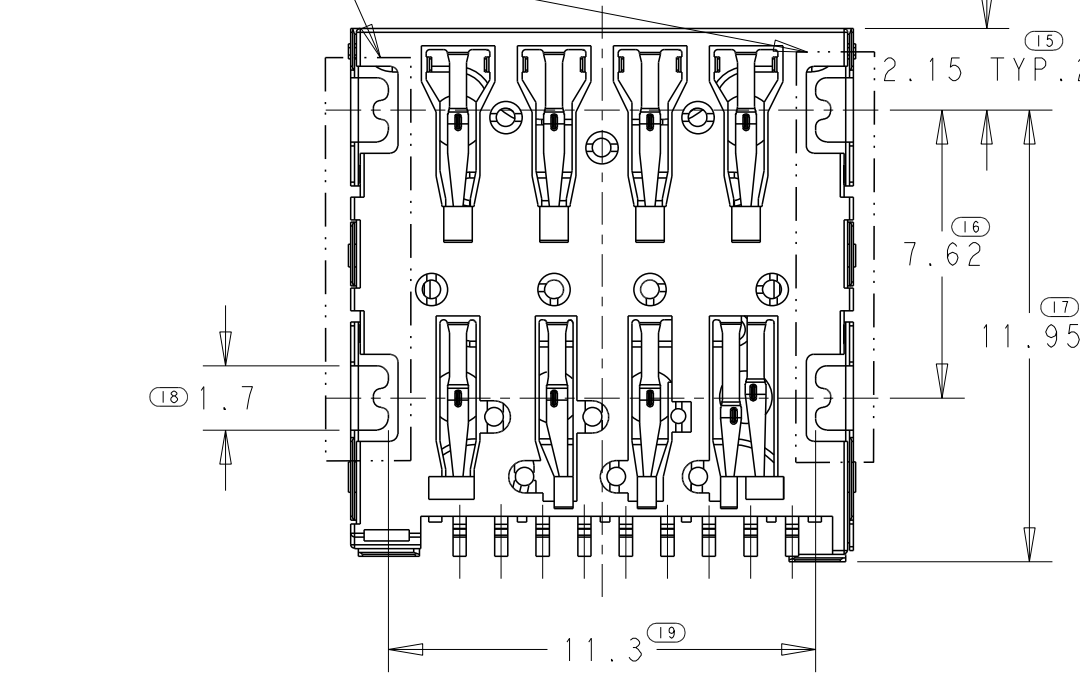
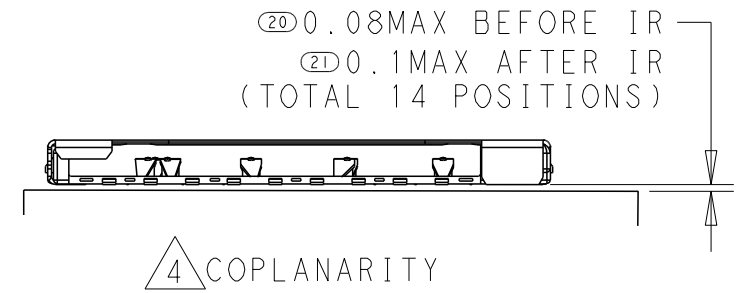
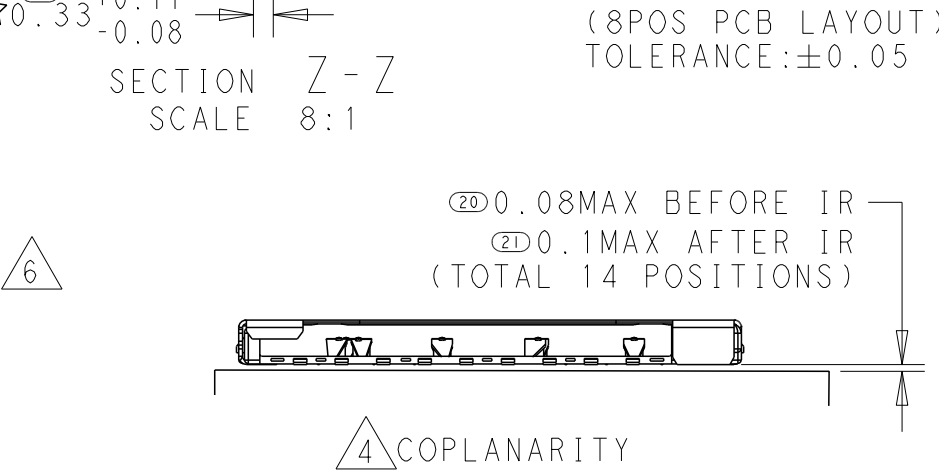
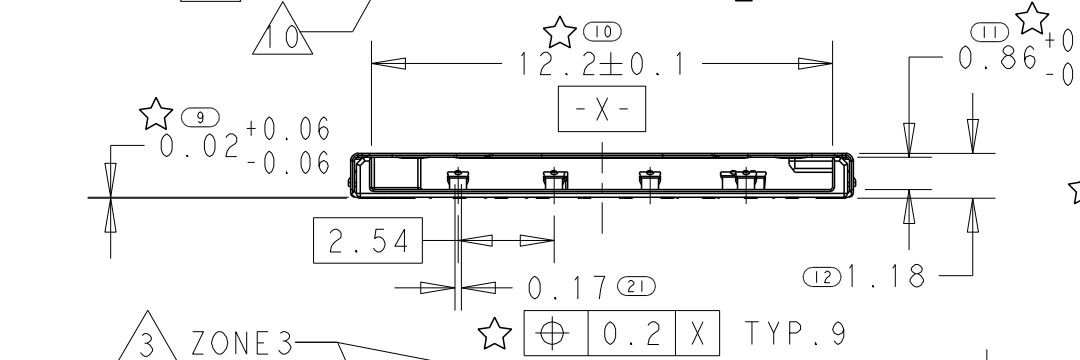
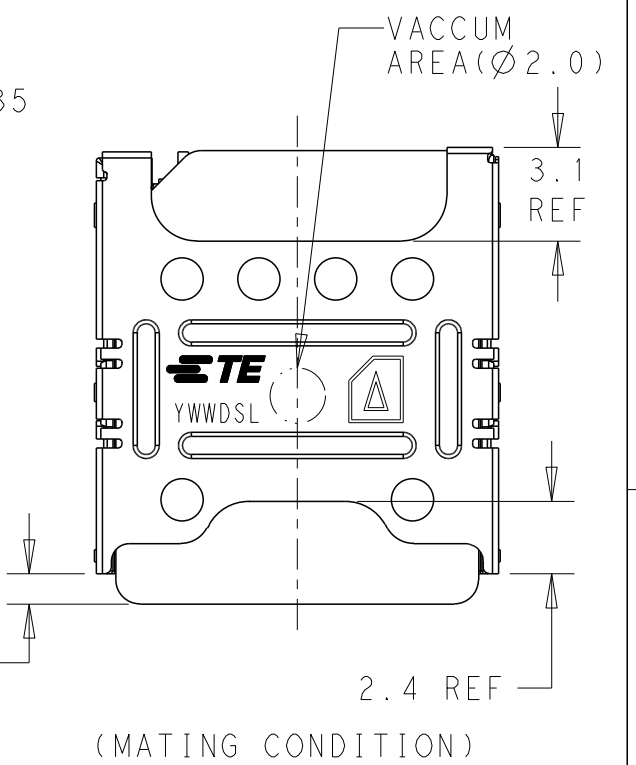
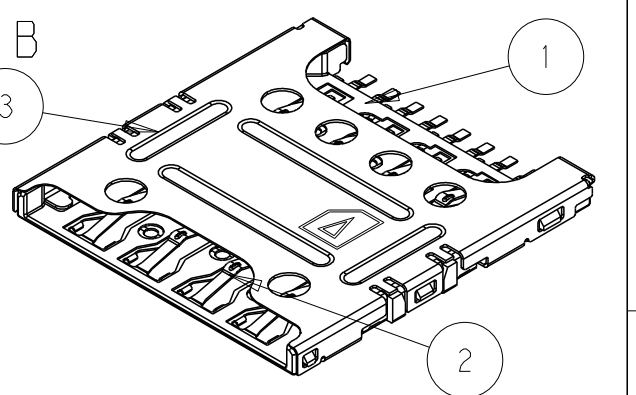
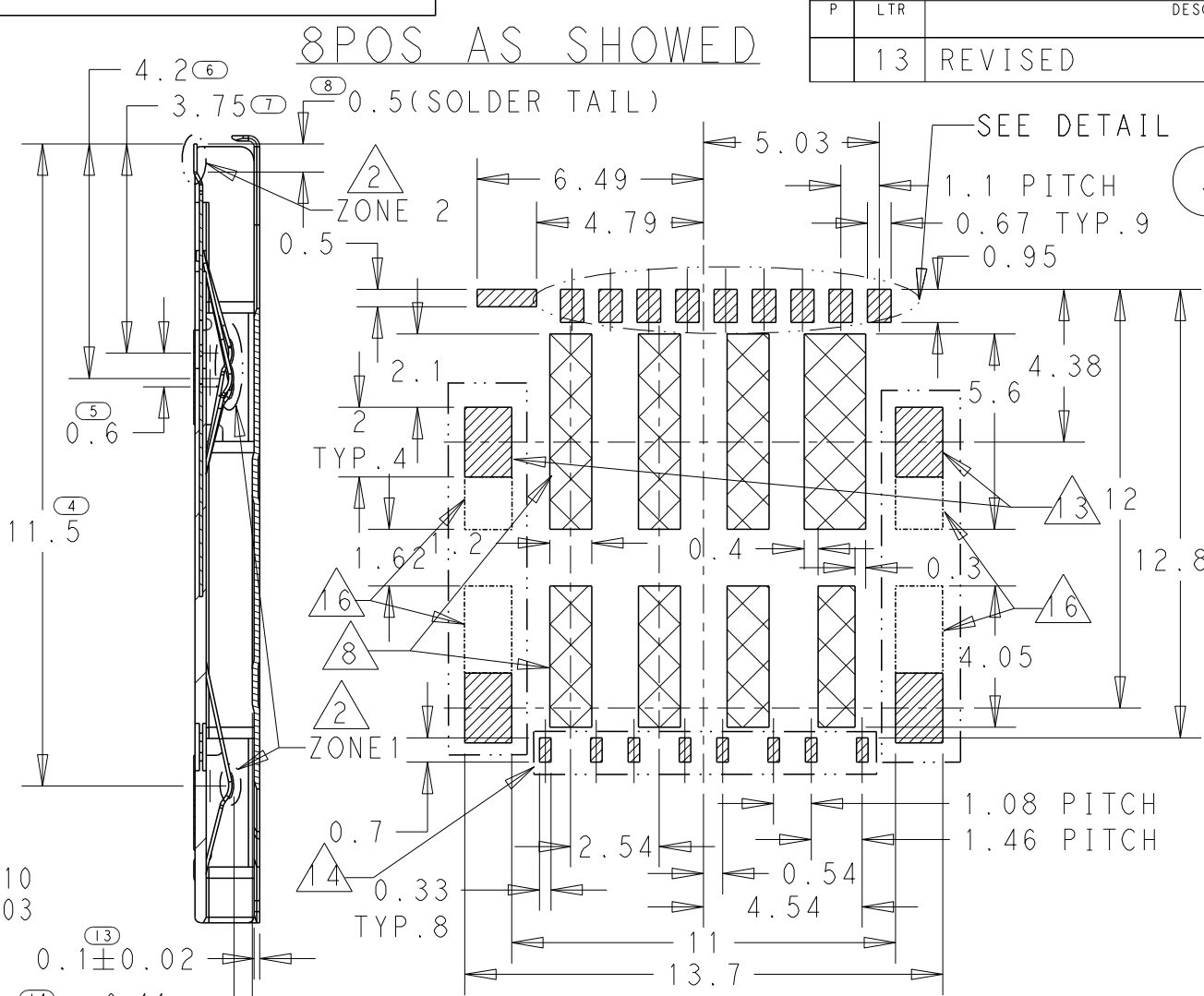
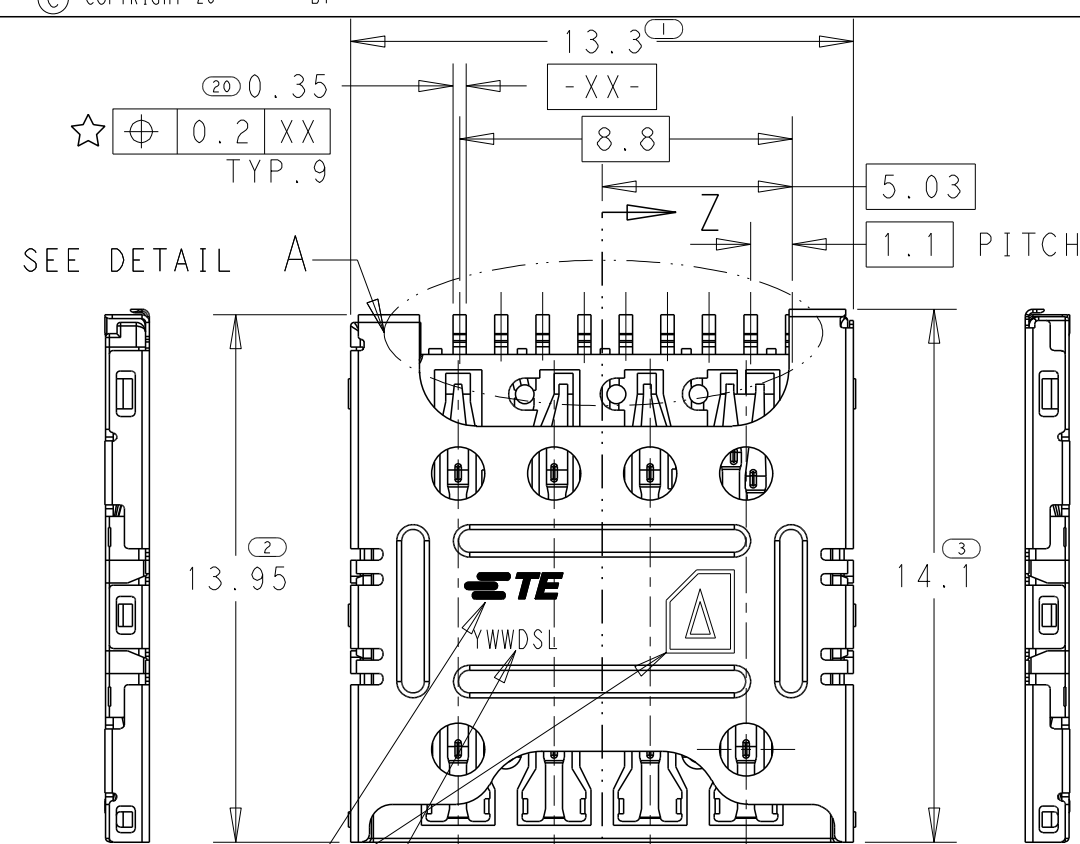


REVISIONS			DATE	DWN	APVD
P	LTR	DESCRIPTION			
	13	REVISED	10FEB15	B.W.C.W	



2199337-1 (8POS)	3	SHELL	3
	2	CONTACT	2
	1	HOUSING	1
P/N	NO	COMPONENT	MATERIAL/FINISH

THIS DRAWING IS A CONTROLLED DOCUMENT.		DWN	B.Wong	27-Mar-14	TE Connectivity NAME ASSEMBLY FOR MICRO SIM H1.18 PUSH-PULL	RESTRICTED TO		
DIMENSIONS: mm		CHK	S.Li	27-Mar-14		SIZE A3	CAGE CODE 00779	DRAWING NO C-2199337
TOLERANCES UNLESS OTHERWISE SPECIFIED:		APVD	C.Wang	27-Mar-14				
MATERIAL		PRODUCT SPEC	108-115077			HUAW		
FINISH		APPLICATION SPEC	-		CUSTOMER DRAWING			

4

3

2

1

THIS DRAWING IS UNPUBLISHED.

RELEASED FOR PUBLICATION

20

© COPYRIGHT 20

BY -

ALL RIGHTS RESERVED.

REVISIONS

P	LTR	DESCRIPTION	DATE	DWN	APVD

SIM CARD PAD LAYOUT

SW	DETECTION SWITCH
C8	RESERVED
C7	I/O
C6	VPP
C5	GND
C4	RESERVED
C3	CLK
C2	RST
C1	VCC
PIN No.	PIN NAME

SIM CARD PIN ASSIGNMENT

DETECTION SWITCH(SW)

CARD EJECT OFF

CIRCUIT DRAWING OF SWITCH

MATCH WITH PCB LAYOUT  
SCALE <5:1>

PCB LAYOUT(REFERENCE)  
(VIEW FROM CONNECTOR MOUNT SIDE)

DETAIL A  
SCALE 10:1

THIS DRAWING IS A CONTROLLED DOCUMENT.

DWN B. Wong 27-Mar-14

CHK S. Li 27-Mar-14

APVD C. Wang 27-Mar-14

PRODUCT SPEC

APPLICATION SPEC

WEIGHT

CUSTOMER DRAWING

TE Connectivity

NAME  
ASSEMBLY  
FOR MICRO SIM H1.18 PUSH-PULL

SIZE

CAGE CODE

DRAWING NO

RESTRICTED TO

A3

-

C-2199337

HUAW

DIMENSIONS:

mm

TOLERANCES UNLESS  
OTHERWISE SPECIFIED:

0 PLC	±0.2
1 PLC	±0.2
2 PLC	±0.2
3 PLC	±0.2
4 PLC	±0.2
ANGLES	±

MATERIAL

-

FINISH

-

SCALE

5:1

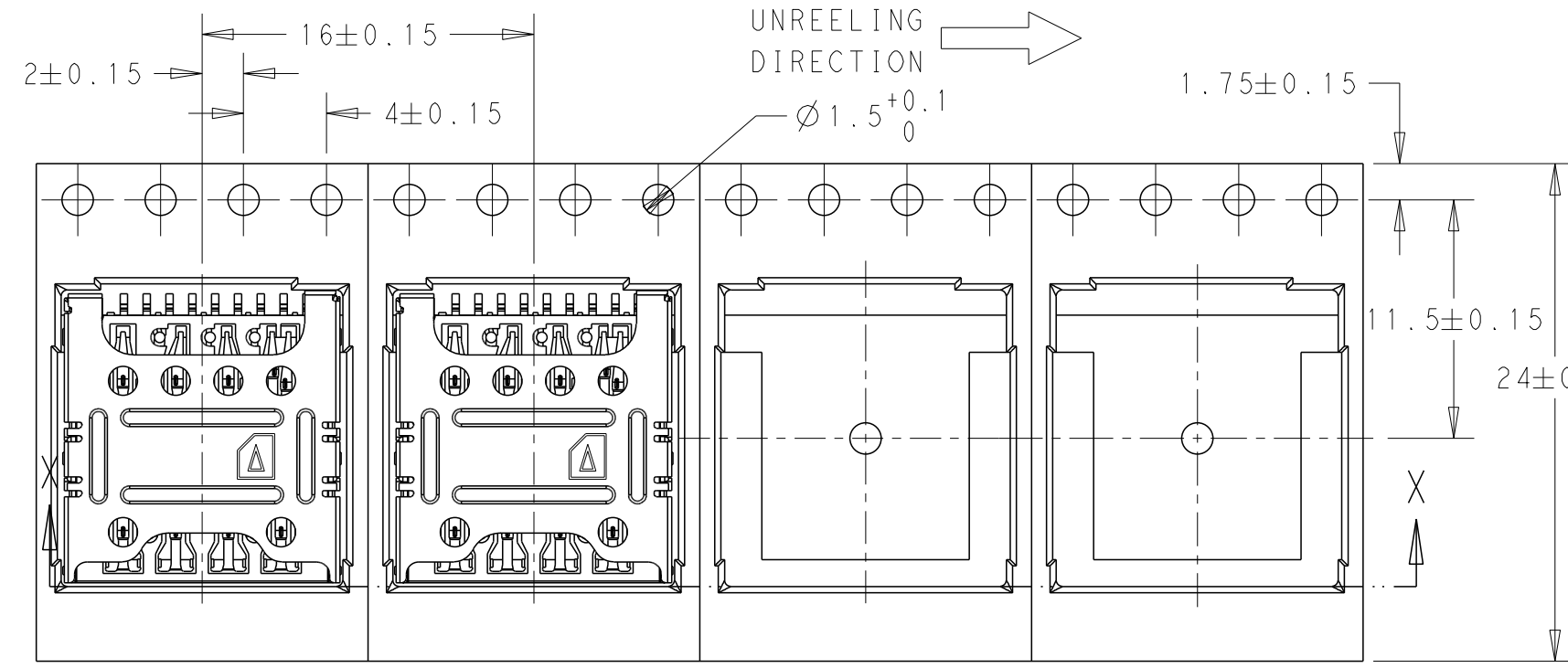
SHEET

2 OF 4

REV 13

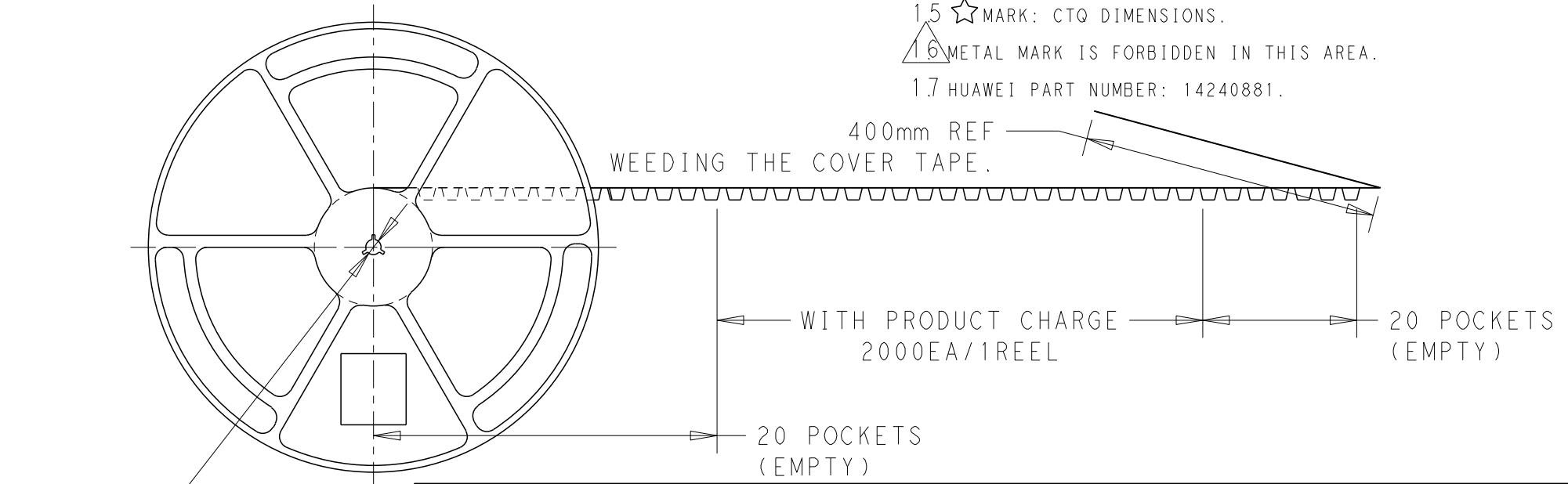
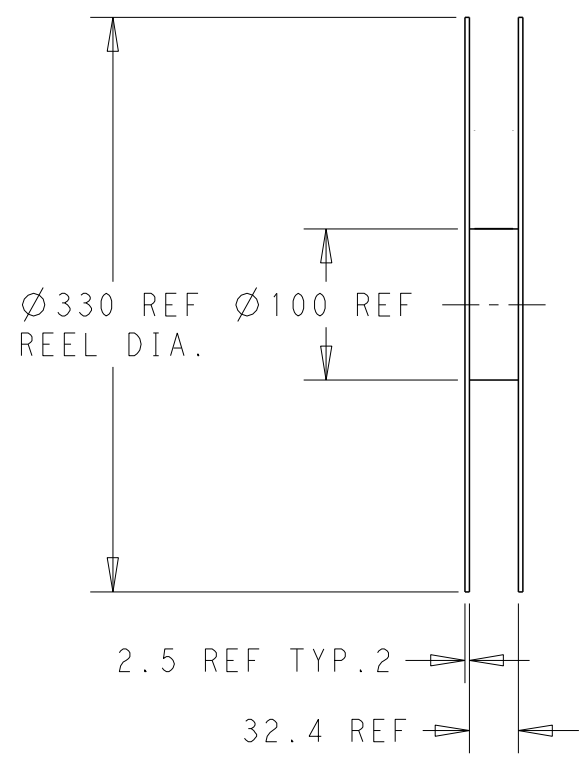
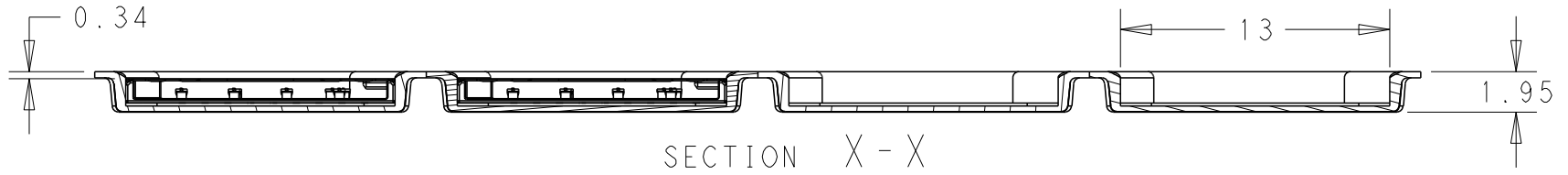
1470-19 (3/13)

REVISIONS				
P	LTR	DESCRIPTION	DATE	APVD



- 1 HOUSING MATERIAL : THERMO PLASTIC RESIN, LCP S475.
- 2 CONTACT MATERIAL : COPPER ALLOY, C7035.  
 FINISH : 1.3um MIN. NICKEL UNDERPLATING ALL OVER,  
 GOLD PLATING 0.3um MIN. ON ZONE 1,  
 GOLD PLATING 0.05um MIN. ON ZONE 2.
- 3 SHELL MATERIAL : STAINLESS STEEL, SUS301.  
 FINISH : 1.3um MIN. NICKEL UNDERPLATING ALL OVER,  
 TIN PLATING 1.0um MIN. ZONE 3.
- 4 COPLANARITY : INITIAL: 0.08MAX  
 0.10MAX AFTER REFLOW, PLEASE SEE IR PROFILE IN PAGE 4.
- 5 COPLANARITY MEASURED ON 9 CONTACTS AND 5 CLIP PEGS IN ONE PASS.
- 6 DIMENTION MEASURED FROM PLASTIC TO CENTER OF CLIP PEGS.
- 7 EASY BROKEN BURR IS NOT PERMITTED.
- 8 NO CIRCUIT AREA
- 9 TE LOGO, CARD INSERTION LOGO
- 10 DATE CODE : YWDSL (YEAR, WEEK , DAY, SHIFT, LINE)
- 11 DO NOT CONTAIN ANY SUBSTANCE WHICH ARE SPECIFIED IN (OQA-2049)
- 12 PACKING QUANTITY : 2000PCS/REEL
- 13 GROUND PATTERN
- 14 THIS PATTERN IS NOT GROUND.
- 15 ☆ MARK: CTQ DIMENSIONS.
- 16 METAL MARK IS FORBIDDEN IN THIS AREA.
- 17 HUAWEI PART NUMBER: 14240881.

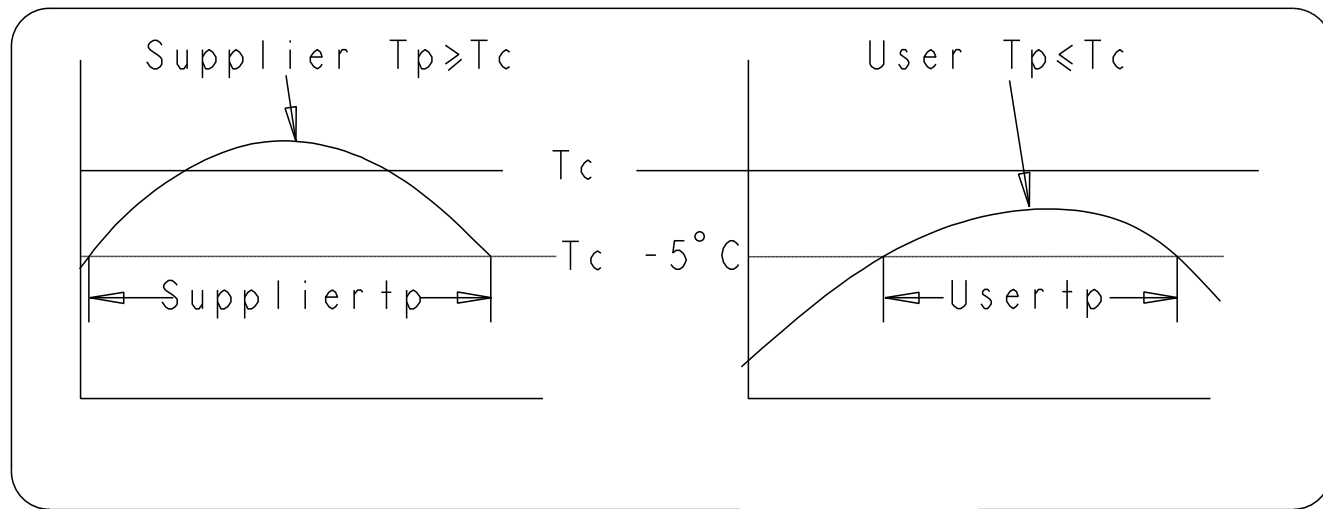
SCALE 3:1



THIS DRAWING IS A CONTROLLED DOCUMENT.		DWN B. Wong	27-Mar-14	 TE Connectivity	NAME ASSEMBLY FOR MICRO SIM H1.18 PUSH-PULL	
DIMENSIONS: mm		CHK S. Li	27-Mar-14			
		APVD C. Wang	27-Mar-14			
TOLERANCES UNLESS OTHERWISE SPECIFIED:		PRODUCT SPEC	-			
0 PLC $\pm 0.2$ 1 PLC $\pm 0.2$ 2 PLC $\pm 0.2$ 3 PLC $\pm 0.2$ 4 PLC $\pm 0.2$ ANGLES $\pm$		APPLICATION SPEC	-	SIZE A3	CAGE CODE -	
MATERIAL -		FINISH -	WEIGHT -	DRAWING NO C-2199337	RESTRICTED TO HUAW	
CUSTOMER DRAWING				SCALE 3:1	SHEET 3 OF 4	REV 13

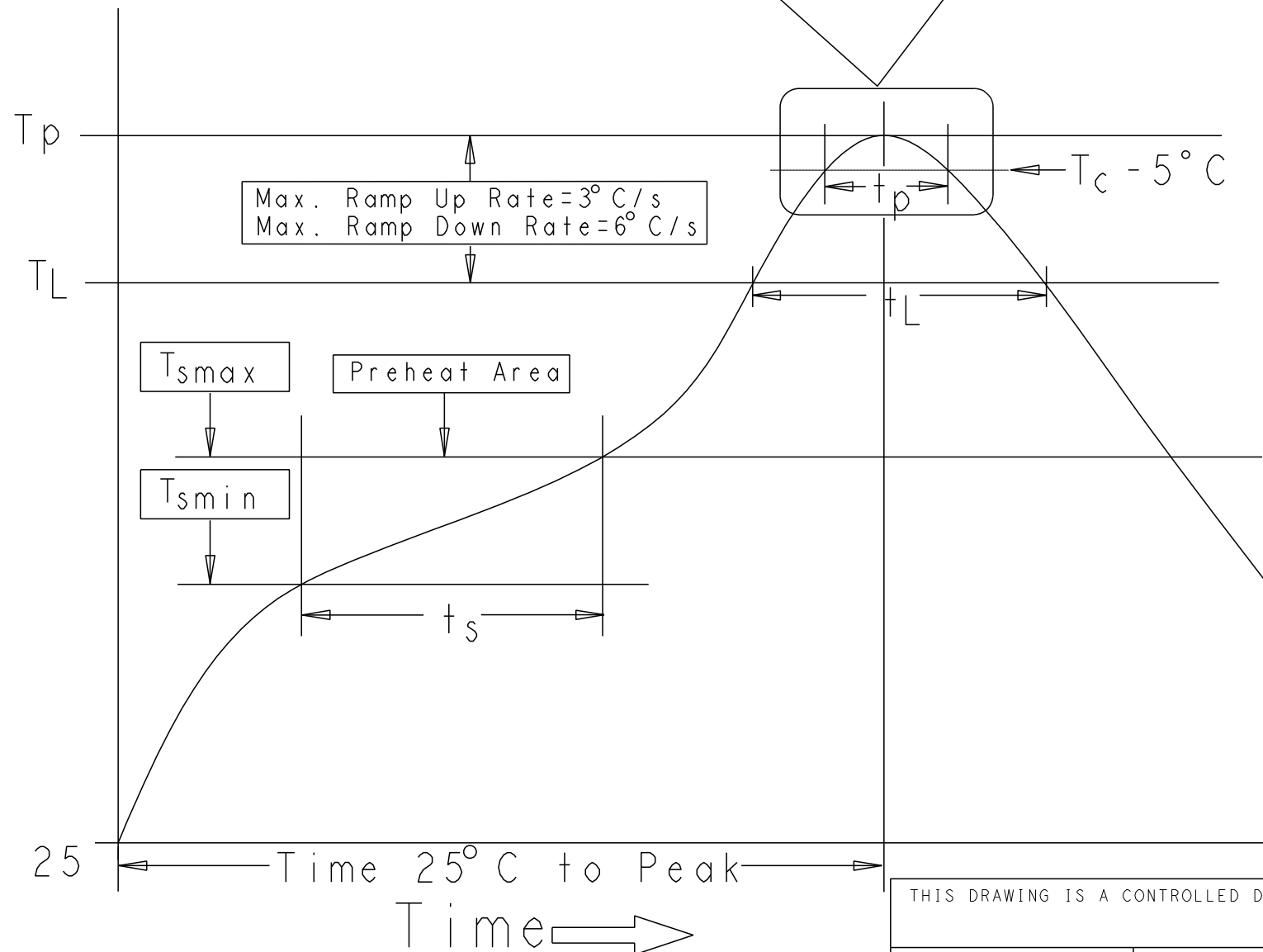
REVISIONS

P	LTR	DESCRIPTION	DATE	DWN	APVD



HUAWEI Reflow Requirement	
Parameter	Value
Preheat(150°C to 200°C)	100-120s
Max Ramp Up Rate(TL-Tp)	Max: 3°C/s
Time above 217°C	100-150s
Min peak temperature	260°C
Time above 255°C	Min: 30s
Max Ramp Down Rate(Tp-TL)	Max: -6°C/s
Time 25°C to Tp	Max: 8min

Temperature ↑



HUAWEI REFLOW PROFILE

THIS DRAWING IS A CONTROLLED DOCUMENT.

DIMENSIONS: mm	TOLERANCES UNLESS OTHERWISE SPECIFIED: 0 PLC ±0.2 1 PLC ±0.2 2 PLC ±0.2 3 PLC ±0.2 4 PLC ±0.2 ANGLES ±
MATERIAL	FINISH

DWN	B. Wong	27-Mar-14
CHK	S. Li	27-Mar-14
APVD	C. Wang	27-Mar-14
PRODUCT SPEC	-	-
APPLICATION SPEC	-	-
WEIGHT	-	-
CUSTOMER DRAWING		



NAME		ASSEMBLY FOR MICRO SIM H1.18 PUSH-PULL	
SIZE	CAGE CODE	DRAWING NO	RESTRICTED TO
A3	-	C=2199337	HUAW
SCALE		SHEET	REV
5:1		4 OF 4	13

D  
C  
B  
A