

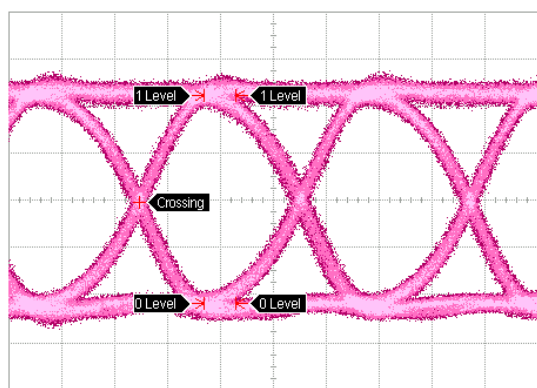
# Microsemi Optical Solutions

## Products Selection Guide

Microsemi provides very high frequency RF ICs and packaged modulator drivers for high speed/high frequency 100G+ optical transceivers for long haul, metro and datacenter applications. We are developing a new generation of surface mount drivers that provide industry leading signal to noise ratio in a compact package with competitive power dissipation. Many of our products offer the unique capability to be used in limiting or linear mode by simply changing the bias conditions and drive levels. In addition, we offer features such as gain control and peak detection. Our products target a range of form factors such as MSA, CFP/CFP2/CFP4 and QSFP28.

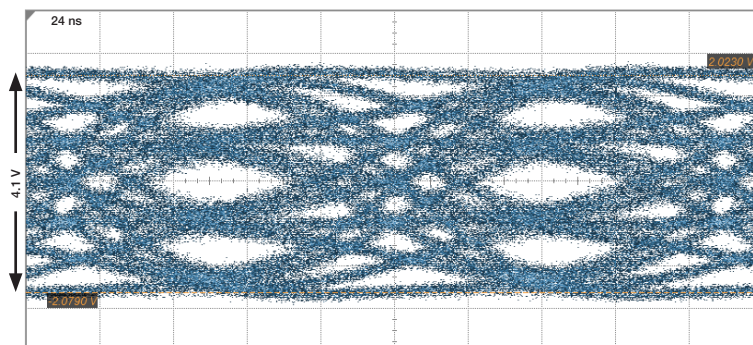
Limiting Output Voltage (Vpp)	Linear Output Voltage (Vpp)	Bit Rate (Gb/s)	Bandwidth (GHz)	Input/Output Port Configuration	Number of Channels	Gain (dB)	Package	Part Number
8.0	na	32	27	SE/SE	4	26	Connectorized	OA3MHQM
8.0	na	32	27	SE/SE	4	26	Connectorized	OA3MHQM-2
7.5	5.0	>32	35	SE/SE	4	20	Connectorized	OA3MMQM
7.5	5.0	32	26	DIFF/SE	4	20 to 31	SMT	OA3HVQDSL
6.0	4.0	32	26	DIFF/SE	4	14 to 25	SMT	OA3HVQDSL2
5.5	4.5	32	26	DIFF/DIFF	4	15 to 26	SMT	OA3HMQDDL
3	2.5	32	26	SE/SE	4	15	SMT	OA3SSQL
2.5	2	112	34	DIFF/DIFF	1	10 to 23	SMT	Tiger

**Typical 32 Gb/s 7.5Vpp NRZ output eye, OA3HVQDSL**



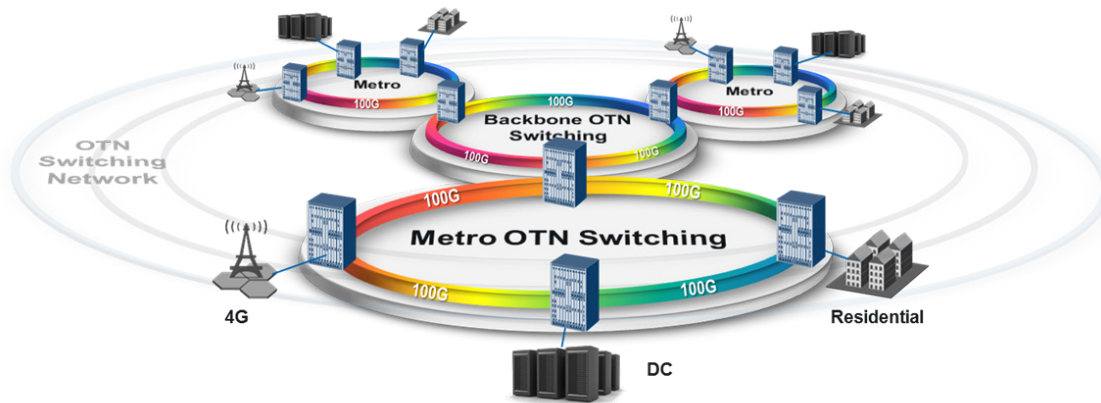
Parameter	Value
Eye Amplitude	7.5 V
Eye Height	5.8 V
Eye S/N	13
Crossing %	48%

**Typical 32 Gb/s 4Vpp PAM-4 output eye, OA3HVQDSL2**

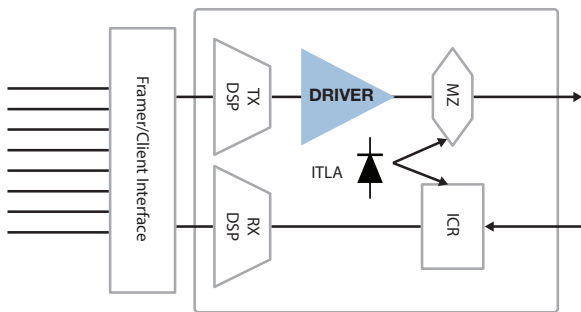


# Microsemi Optical Solutions

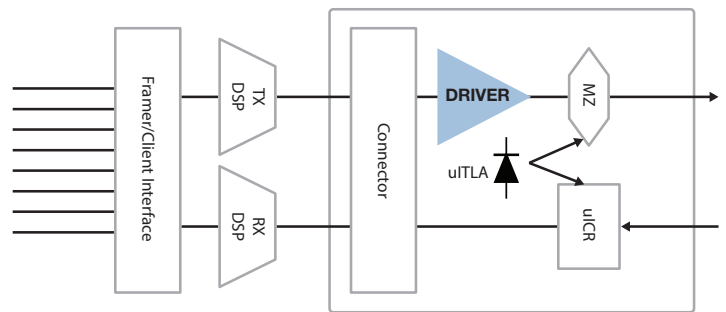
## Products Selection Guide



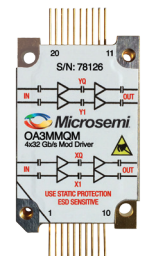
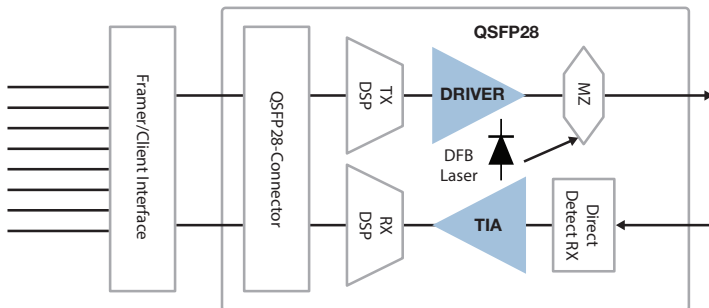
### MSA



### CFP2-ACO



### QSFP28



**Microsemi Corporate Headquarters**  
 One Enterprise, Aliso Viejo, CA 92656 USA  
 Within the USA: +1 (800) 713-4113  
 Outside the USA: +1 (949) 380-6100  
 Sales: +1 (949) 380-6136  
 Fax: +1 (949) 215-4996  
 email: sales.support@microsemi.com  
 www.microsemi.com

Microsemi Corporation (MSCC) offers a comprehensive portfolio of semiconductor and system solutions for communications, defense & security, aerospace and industrial markets. Products include high-performance and radiation-hardened analog mixed-signal integrated circuits, FPGAs, SoCs and ASICs; power management products; timing and synchronization devices and precise time solutions, setting the world's standard for time; voice processing devices; RF solutions; discrete components; enterprise storage and communication solutions, security technologies and scalable anti-tamper products; Ethernet solutions; Power-over-Ethernet ICs and midspans; as well as custom design capabilities and services. Microsemi is headquartered in Aliso Viejo, Calif., and has approximately 4,800 employees globally. Learn more at [www.microsemi.com](http://www.microsemi.com)