

MATERIALS AND FINISHES

BODY BRASS
PLATED SEE TABLE

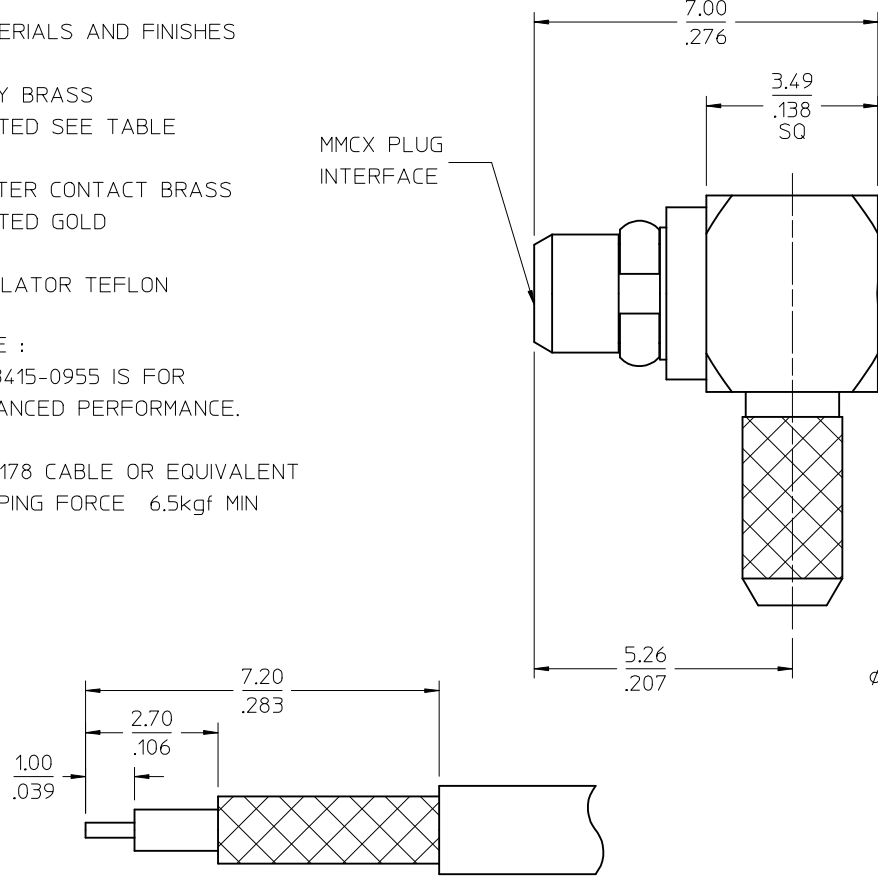
CENTER CONTACT BRASS
PLATED GOLD

INSULATOR TEFLON

NOTE :
1) 73415-0955 IS FOR
ENHANCED PERFORMANCE.

2)RG178 CABLE OR EQUIVALENT
CRIMPING FORCE 6.5kgf MIN

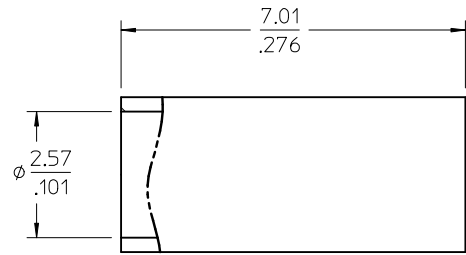
MMCX PLUG
INTERFACE



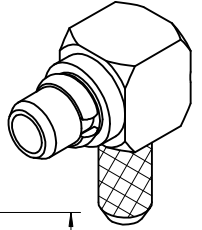
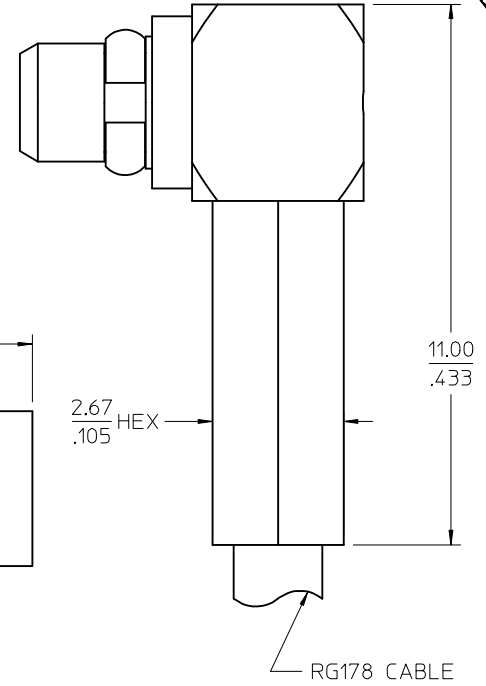
RECOMMENDED STRIP DIMENSIONS



CAP



CRIMP TUBE



AS-89678-070	CABLE ASSY INSTRUCTION
ES-73599-0000-015	INTERFACE
PS-89675-1920	ELECTRO/MECH PERFORM.
SPECIFICATION	DESCRIPTION

73415-0955	GOLD OVER NICKEL PER COMMERCIAL REQUIREMENTS	BAG
73415-0954	GOLD OVER NICKEL PER COMMERCIAL REQUIREMENTS	BAG
73415-0953	GOLD OVER NICKEL PER COMMERCIAL REQUIREMENTS	73415-0951, ONE PER BAG
73415-0952	NICKEL	BAG
73415-0951	GOLD OVER NICKEL PER COMMERCIAL REQUIREMENTS	BAG
73415-0950	GOLD OVER NICKEL PER MILITARY REQUIREMENTS	BAG
PART NO.	PLATING	PACKAGING

CHGPACKING UPDATE BAG WAS BULK EWR R/F16-E0154		DRW:YCHENG 2016/09/13	CHKD: 2016/09/19	APPR:YCHENG	DESCRIPTION
REV: 5		QUALITY SYMBOLS			
		GENERAL TOLERANCES (UNLESS SPECIFIED)			
		DIMENSION STYLE MM/IN			
		SCALE			
		DESIGN UNITS METRIC			
		THIRD ANGLE PROJECTION			

<table border="1"> <tr> <th>mm</th> <th>INCH</th> </tr> <tr> <td>4 PLACES ± .005</td> <td>± .005</td> </tr> <tr> <td>3 PLACES ± .005</td> <td>± .005</td> </tr> <tr> <td>2 PLACES ± .005</td> <td>± .005</td> </tr> <tr> <td>1 PLACE ± .005</td> <td>± .005</td> </tr> </table>	mm	INCH	4 PLACES ± .005	± .005	3 PLACES ± .005	± .005	2 PLACES ± .005	± .005	1 PLACE ± .005	± .005	<table border="1"> <tr> <td>DRAWN BY</td> <td>DATE</td> </tr> <tr> <td>EDC</td> <td>1999/01/27</td> </tr> <tr> <td>CHECKED BY</td> <td>DATE</td> </tr> <tr> <td>EDC</td> <td>1999/01/27</td> </tr> <tr> <td>APPROVED BY</td> <td>DATE</td> </tr> <tr> <td>MHUANG</td> <td>2010/02/23</td> </tr> </table>	DRAWN BY	DATE	EDC	1999/01/27	CHECKED BY	DATE	EDC	1999/01/27	APPROVED BY	DATE	MHUANG	2010/02/23	<p>TITLE</p> <p>MMCX PLUG 50 OHMS R/A FOR RG178 CABLE MMCX-P/RG178</p>
mm	INCH																							
4 PLACES ± .005	± .005																							
3 PLACES ± .005	± .005																							
2 PLACES ± .005	± .005																							
1 PLACE ± .005	± .005																							
DRAWN BY	DATE																							
EDC	1999/01/27																							
CHECKED BY	DATE																							
EDC	1999/01/27																							
APPROVED BY	DATE																							
MHUANG	2010/02/23																							
<p>ANGULAR ± 2 °</p> <p>DRAFT WHERE APPLICABLE MUST REMAIN WITHIN DIMENSIONS</p>		<p>MATERIAL NO.</p> <p>SEE TABLE</p>																						
<p>SIZE</p> <p>C</p>		<p>DOCUMENT NO.</p> <p>SD-73415-095</p>																						
<p>THIS DRAWING CONTAINS INFORMATION THAT IS PROPRIETARY TO MOLEX INCORPORATED AND SHOULD NOT BE USED WITHOUT WRITTEN PERMISSION</p>		<p>SHEET NO.</p> <p>1 OF 1</p>																						