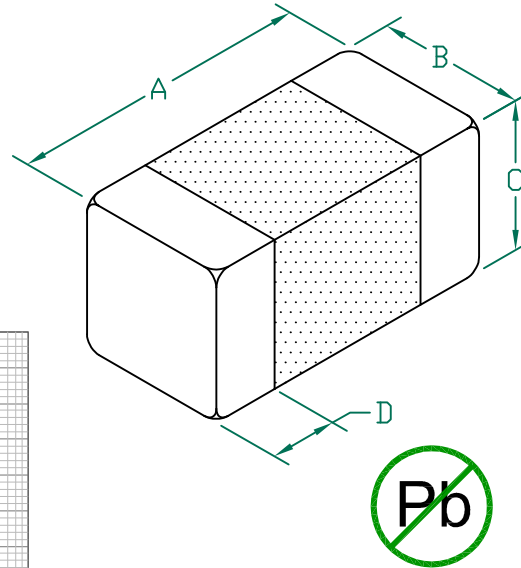


# HZ0603B112R-10

**UNCONTROLLED DOCUMENT**

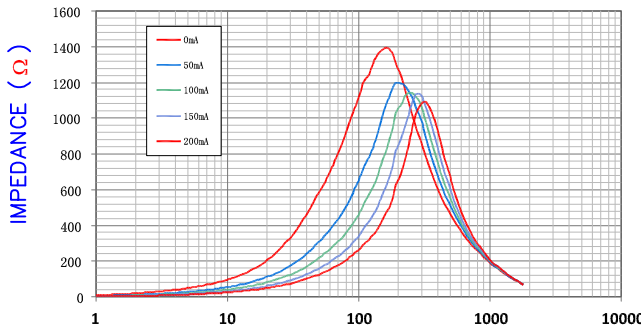
**PHYSICAL DIMENSIONS:**

A	1.60 [.063]	+ 0.15	-.006
B	0.80 [.031]	+ 0.15	-.006
C	0.80 [.031]	+ 0.15	-.006
D	0.36 [.014]	+ 0.15	-.006



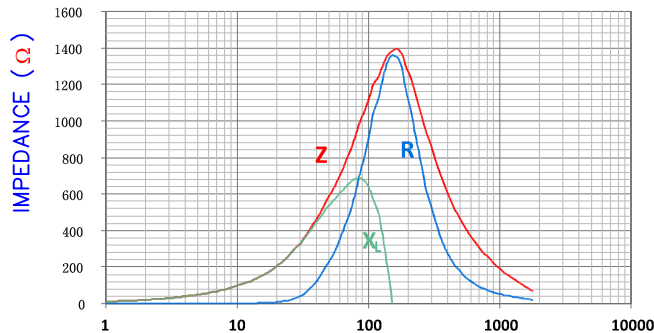
ELECTRICAL CHARACTERISTICS:			
	Z @ 100MHz (Ω)	DCR (Ω)	Rated Current
Nominal	1100		
Minimum	825		
Maximum	1375	0.80	200 mA

Z vs FREQUENCY  
IMPEDANCE UNDER DC BIAS



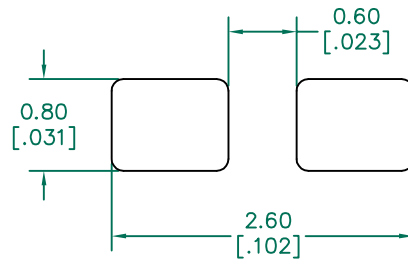
FREQUENCY (MHz)

|Z|, R, AND X<sub>L</sub> vs. FREQUENCY



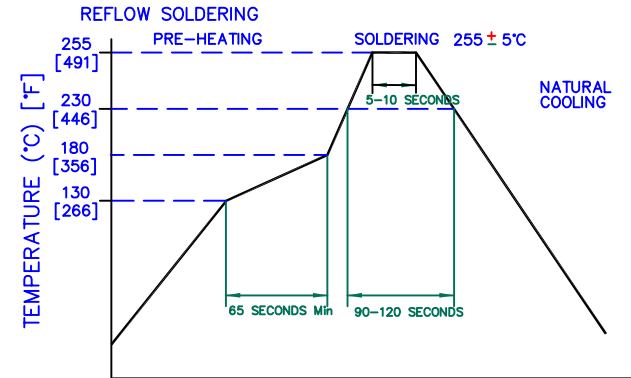
FREQUENCY (MHz)

LAND PATTERNS FOR REFLOW SOLDERING



(For wave soldering, add 0.762 (.030) to this dimension)

RECOMMENDED SOLDERING CONDITIONS



DIMENSIONS ARE IN mm [INCHES].				This print is the property of Laird Tech. and is loaned in confidence subject to return upon request and with the understanding that no copies shall be made without the written consent of Laird Tech. All rights to design or invention are reserved.			
				<b>Laird</b>			
D	ADD OPERATING TEMPERATURE UPDATE LAIRD LOGO AND REFLOW CURVE	08/05/13	QU	PROJECT/PART NUMBER:	REV	PART TYPE:	DRAWN BY:
C	UPDATE CURVES	07/23/10	JUN	HZ0603B112R-10	D	CO-FIRE	TMB
B	UPDATE COMPANY LOGO ADD ROHS	02/26/08	JRK	DATE:	SCALE:		SHEET:
A	ORIGINAL DRAFT	04/03/04	TMB	04/03/04	-		2 of 2
REV	DESCRIPTION	DATE	INT	CAD #	TOOL #		
				HZ0603B112R-10-D			