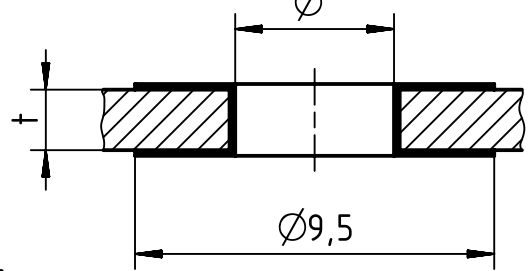


t	∅
1,6-3,2	4,4 ^{+0,05} _{-0,04}

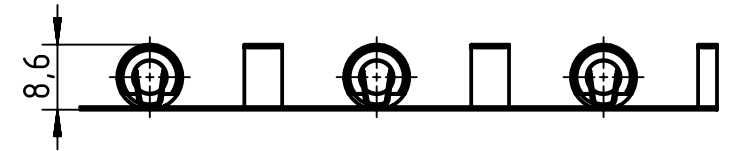
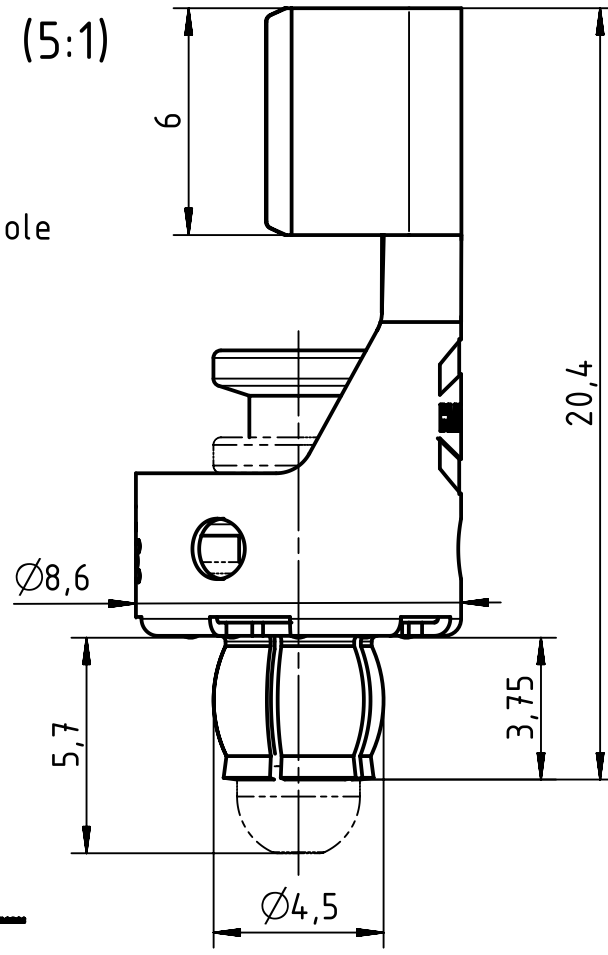
A

(5:1)

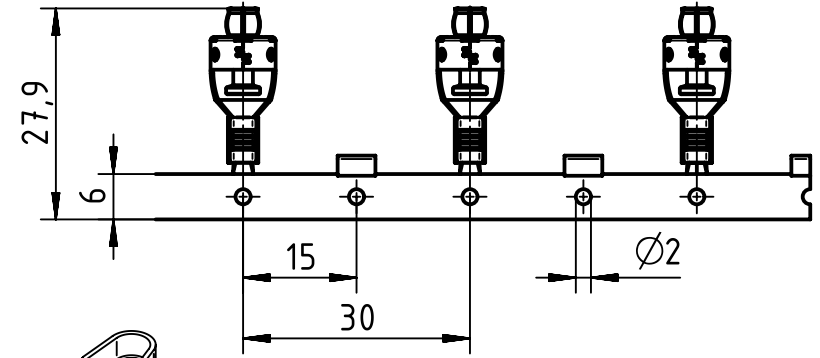
PCB lay-out finished hole



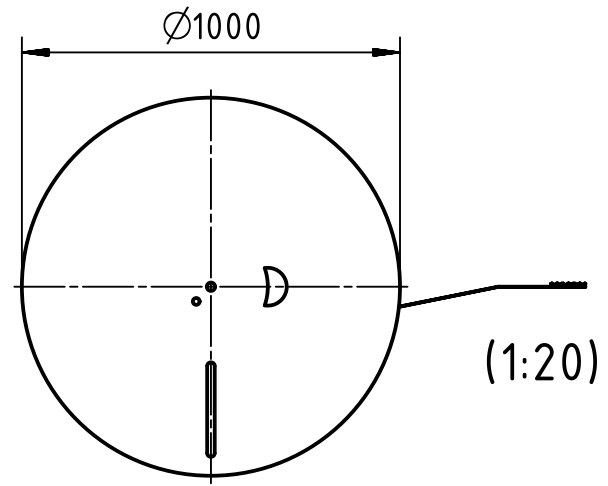
B



X

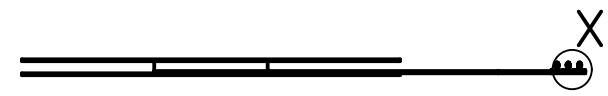


C



(1:20)

D



	All rights reserved Department EL PD - DE	All Dimensions in mm Original Size DIN A4		Scale 1:1	Free size tol.	Ref. Sub.
		Created by DEIMEL	Inspected by SCHNIEDER	Standardisation TIEMANNA	Date 2016-03-30	State Final Release
HARTING Electric GmbH & Co. KG D-32339 Espelkamp		Title Han-Fast Lock 4-6mm ² m.Pin Ag Ro 2300St.			Doc-Key / ECM-Nr. 100230953/UGD/002/D 500000102451	
		Type TB	Number 09 08 000 6123		Rev. D	Page 1/1