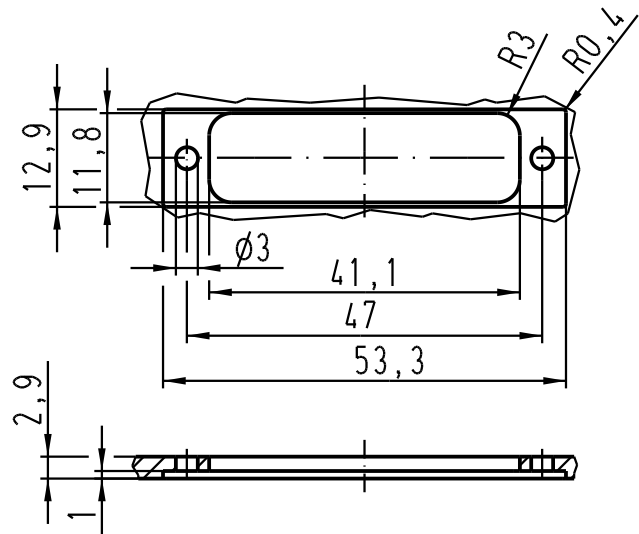
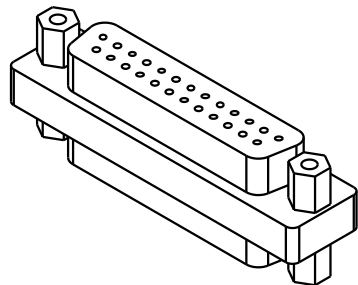
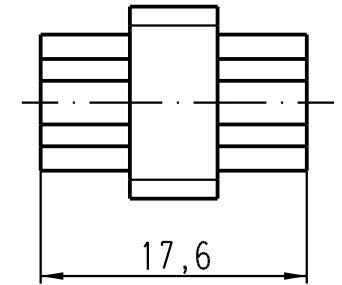
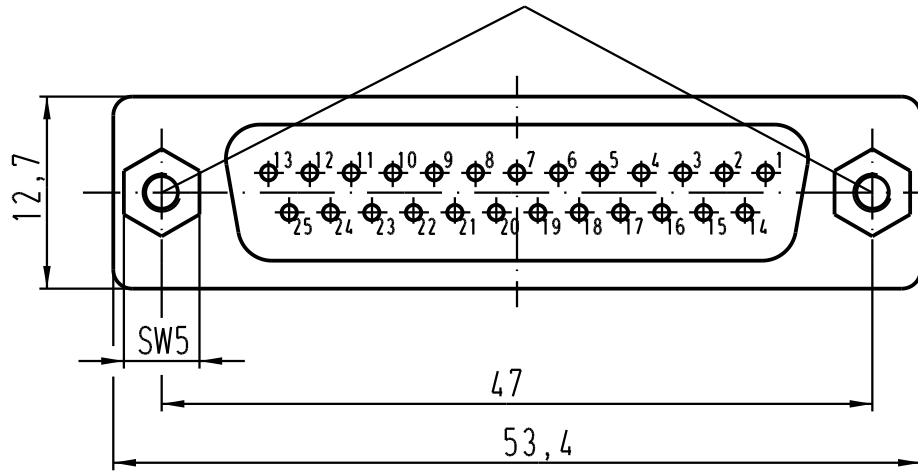




Montageausschnitt/  
panel cut out  
1:1



UNC 4-40



|  All Dimensions in mm<br>Original Size DIN A 4 |          |      | Techn. Character.                                   |          |               | Nicht tolerierte Masse/ Free size tolerances  |                      |
|---|----------|------|---|----------|---------------|---|----------------------|
| Mod.  | Dat.     | Name | Dat.  | Name     | Maßstab/Scale | Gender Changer<br>SUB-D25 f-f   |                      |
| 411855  | 24.10.05 | Ho   | Detail.   | 18.07.05 | Ho            |   |                      |
| 411698  |          |      | Insp.   |          | Be            |   |                      |
|   |          |      | Stand.  |          |               |   |                      |
|   |          |      | HARTING Electric GmbH & Co. KG<br>D-32339 Espelkamp |          |               |  | Blatt / page<br>Sub. |