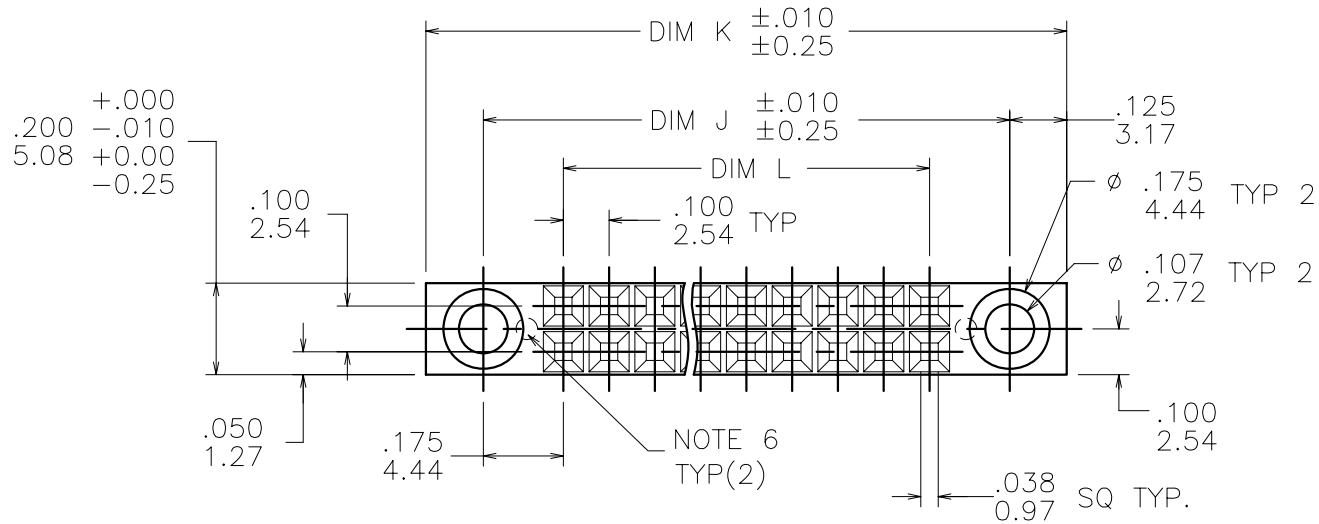
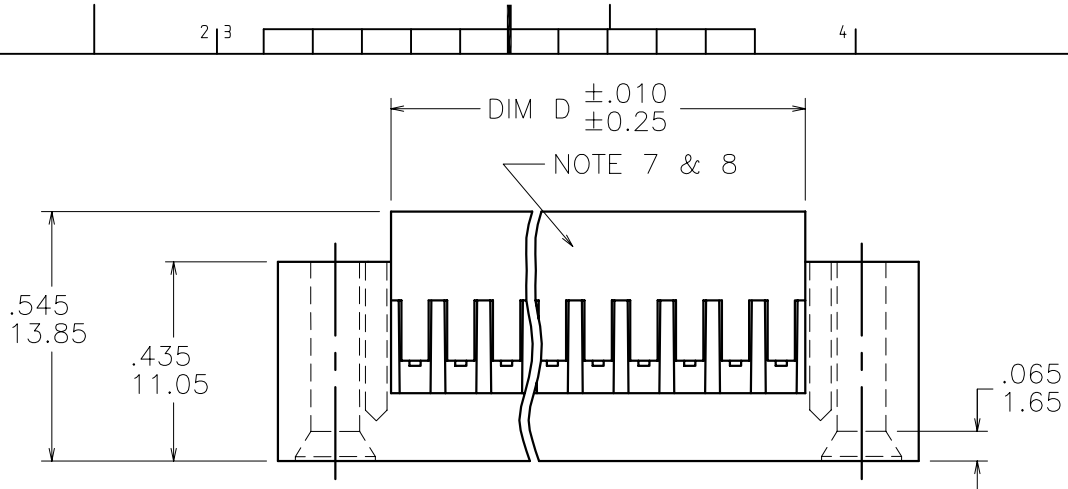


PRODUCT NUMBER
SEE TABLE



mat'l. code SEE NOTE 1				surface	tolerance	projection	product family
tolerances unless otherwise specified							PV HOUSINGS
ltr	ec'n no	dr	date	angles	linear	INCH/MM	title
R	v07-0510	HTB	2007-08-03				MINI LATCH HOUSING DR
						scale 2.5:1	BULKHEAD .100 [2.54] CC
K	v92186	RGD	1999-12-13	0°±2'			
L	v03-1358	PJ	2004-02-09	dr	A. RAISTRICK	1991-02-14	dwg no
M	v05-0714	TAB	2005-07-29	engr	C. TREXLER	1991-02-14	sheet 1 of 3
N	v06-0419	HTB	2006-05-03	chr	C. TREXLER	1991-02-14	size
P	v06-0549	HTB	2006-06-12	appd	C. TREXLER	1991-02-14	A3
sheet	revision	R	R	R			type
index	sheet	1	2	3			Product Customer Drawing

PRODUCT NO.	NO OF POS	DIM L	DIM J	DIM K	DIM D
65817-001LF	2 X 8	.700/17.78	1.05/26.7	1.30/33.0	.805/20.45
65817-002LF	2 X 10	.900/22.86	1.25/31.8	1.50/38.1	1.005/25.53
65817-003LF	2 X 13	1.200/30.48	1.55/39.4	1.80/45.7	1.305/33.15
65817-004LF	2 X 16	1.500/38.10	1.85/47.0	2.10/53.3	1.605/40.77
65817-005LF	2 X 20	1.900/48.26	2.25/57.2	2.50/63.5	2.005/50.93
65817-006LF	2 X 22	2.100/53.34	2.45/62.2	2.70/68.6	2.205/56.01
65817-007LF	2 X 2	.100/2.54	.45/11.4	.70/17.8	.205/5.21
65817-008LF	2 X 3	.200/5.08	.55/14.0	.80/20.3	.305/7.75
65817-009LF	2 X 4	.300/7.62	.65/16.5	.90/22.9	.405/10.29
65817-010LF	2 X 5	.400/10.16	.75/19.1	1.00/25.4	.505/12.83
65817-011LF	2 X 6	.500/12.70	.85/21.6	1.10/27.9	.605/15.37
65817-012LF	2 X 7	.600/15.24	.95/24.1	1.20/30.5	.705/17.91
65817-013LF	2 X 9	.800/20.32	1.15/29.2	1.40/35.6	.905/22.99
65817-014LF	2 X 11	1.000/25.40	1.35/34.3	1.60/40.6	1.105/28.07
65817-015LF	2 X 12	1.100/27.94	1.45/36.8	1.70/43.2	1.205/30.61
65817-016LF	2 X 14	1.300/33.02	1.65/41.9	1.90/48.3	1.405/35.69
65817-017LF	2 X 15	1.400/35.56	1.75/44.5	2.00/50.8	1.505/38.23
65817-018LF	2 X 17	1.600/40.64	1.95/49.5	2.20/55.9	1.705/43.31
65817-019LF	2 X 18	1.700/43.18	2.05/52.1	2.30/58.4	1.805/45.85
65817-020LF	2 X 19	1.800/45.72	2.15/54.6	2.40/61.0	1.905/48.39
65817-021LF	2 X 21	2.000/50.80	2.35/59.7	2.60/66.0	2.105/53.47
65817-022LF	2 X 23	2.200/55.88	2.55/64.8	2.80/71.1	2.305/58.55
65817-023LF	2 X 24	2.300/58.42	2.65/67.3	2.90/73.7	2.405/61.09
65817-024LF	2 X 25	2.400/60.96	2.75/69.9	3.00/76.2	2.505/63.63
65817-025LF	2 X 26	2.500/63.50	2.85/72.4	3.10/78.7	2.605/66.17
65817-026LF	2 X 27	2.600/66.04	2.95/74.9	3.20/81.3	2.705/68.71
65817-027LF	2 X 28	2.700/68.58	3.05/77.5	3.30/83.8	2.805/71.25
65817-028LF	2 X 29	2.800/71.12	3.15/80.01	3.40/86.36	2.905/73.79

NOTES

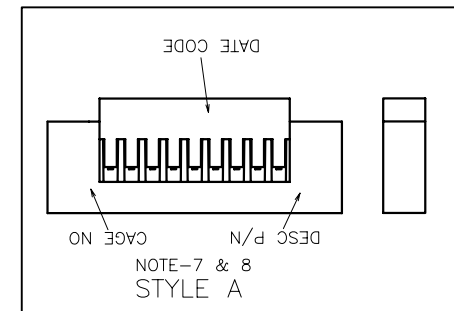
- MOLDING MATERIAL: MODIFIED POLYPHENYLENE ETHER, COLOR: BLACK, UL 94V-0.
- PIN LENGTH TO BE .210/5.33 MIN. RECOMMENDED PIN LENGTH IS .225±.015/5.72±0.38.
- TO REMOVE TERM PUSH TERM FORWARD, LIFT LATCH WITH HAND TOOL AS SHOWN IN FIGURES 2 & 3 ON TA-531. DAMAGE TO LATCH CAN OCCUR IF LIFTED MORE THAN A 25° ANGLE TO TOP OF HOUSING.
- TERMINAL MUST BE CRIMPED PROPERLY FOR SATISFACTORY LATCHING. SEE TA-75 FOR CRIMPING INSTRUCTIONS. PRODUCT SPECIFICATION: BUS-12-067.
- THE HOUSING IS INTENDED FOR USE WITH MINI PV™ TERMINALS WITH 22-32 GAUGE WIRE.
- MOLD CORING HOLES (FOR MANUFACTURING PURPOSES ONLY.)
- ALL MARKINGS FOR MILITARY PART NUMBERS ARE TO BE PER MIL-STD-1285. SEE TABULATION.
- PLACE DESC P/N AND CAGE NO. ON PACKAGING LABEL. PRODUCT LENGTH IS TO SMALL TO MARK PART.
- PRODUCT MEETS EUROPEAN UNION DIRECTIVES AND OTHER COUNTRY REGULATIONS AS DESCRIBED IN GS-22-008.
- THE PRODUCT IS NOT INTENDED TO BE EXPOSED TO MANUFACTURING SOLDER PROCESS.



Copyright FCJ

mat'l. code SEE NOTE 1		surface ✓	tolerance	projection ⊕	product family PV HOUSINGS
ltr	ecn no	dr	date	tolerances unless otherwise specified	title
R				angles linear XX+01/XX+3 XXX+005/XXX+13 XXXX+0020/XXX+051	MINI LATCH HOUSING DR BULKHEAD .100 [2.54] CC
				0°±2°	INCH/MM scale 2.5:1
				dr A. RAISTRICK 1991-02-14	dwg no 65817 sheet 2 of 3 size A3
				engr C. TREXLER 1991-02-14	
				chr C. TREXLER 1991-02-14	
				appd C. TREXLER 1991-02-14	type Product Customer Drawing
sheet index	revision sheet				

MILITARY PRODUCT NO.	MADE FROM	MARKING STYLE	DESC P/N	CAGE NO.	REMARKS
65817-001-MIL	65817-001	A	86108-16	22526	SEE NOTE 8
65817-002-MIL	65817-002	A	86108-20	22526	
65817-003-MIL	65817-003	A	86108-26	22526	
65817-004-MIL	65817-004	A	86108-32	22526	
65817-005-MIL	65817-005	A	86108-40	22526	
65817-006-MIL	65817-006	A	86108-44	22526	
65817-007-MIL	65817-007	A	86108-04	22526	
65817-008-MIL	65817-008	A	86108-06	22526	
65817-009-MIL	65817-009	A	86108-08	22526	
65817-010-MIL	65817-010	A	86108-10	22526	
65817-011-MIL	65817-011	A	86108-12	22526	
65817-012-MIL	65817-012	A	86108-14	22526	
65817-013-MIL	65817-013	A	86108-18	22526	
65817-014-MIL	65817-014	A	86108-22	22526	
65817-015-MIL	65817-015	A	86108-24	22526	
65817-016-MIL	65817-016	A	86108-28	22526	
65817-017-MIL	65817-017	A	86108-30	22526	
65817-018-MIL	65817-018	A	86108-34	22526	
65817-019-MIL	65817-019	A	86108-36	22526	
65817-020-MIL	65817-020	A	86108-38	22526	
65817-021-MIL	65817-021	A	86108-42	22526	
65817-022-MIL	65817-022	A	86108-46	22526	
65817-023-MIL	65817-023	A	86108-48	22526	
65817-024-MIL	65817-024	A	86108-50	22526	
65817-025-MIL	65817-025	A	86108-52	22526	
65817-026-MIL	65817-026	A	86108-54	22526	
65817-027-MIL	65817-027	A	86108-56	22526	



FCconnect.com

Copyright FCJ

mat'l. code SEE NOTE 1		surface <input checked="" type="checkbox"/>	tolerance	projection 	product family PV HOUSINGS
ltr	ecrn no	dr	date	tolerances unless otherwise specified	title
R				angles linear XX+01/XX+3 XXX+005/XXX+13 XXXXX+0020/XXX+051	MINI LATCH HOUSING DR BULKHEAD .100 [2.54] CC
				0'+2'	INCH/MM scale 2.5:1
		dr	A. RAISTRICK	1991-02-14	dwg no 65817
		engr	C. TREXLER	1991-02-14	sheet 3 of 3
		chr	C. TREXLER	1991-02-14	size A3
		appd	C. TREXLER	1991-02-14	type Product Customer Drawing
sheet index	revision sheet				