

MODELS:

# PDU3VN3L1520, PDU3VN10L1520

## 3-Phase Monitored Rackmount PDU



208V  
3-Phase Input



L15-20P Plug



208V Single-Phase Output



36 Outlets  
C19



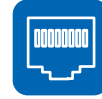
C13



5.7kW Load Capacity



Multimode Load Meter



Network Interface

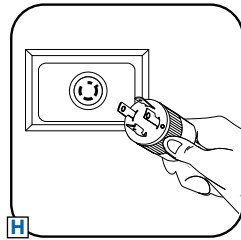


0U Rackmount



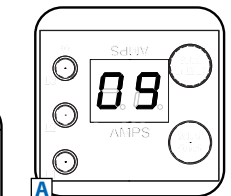
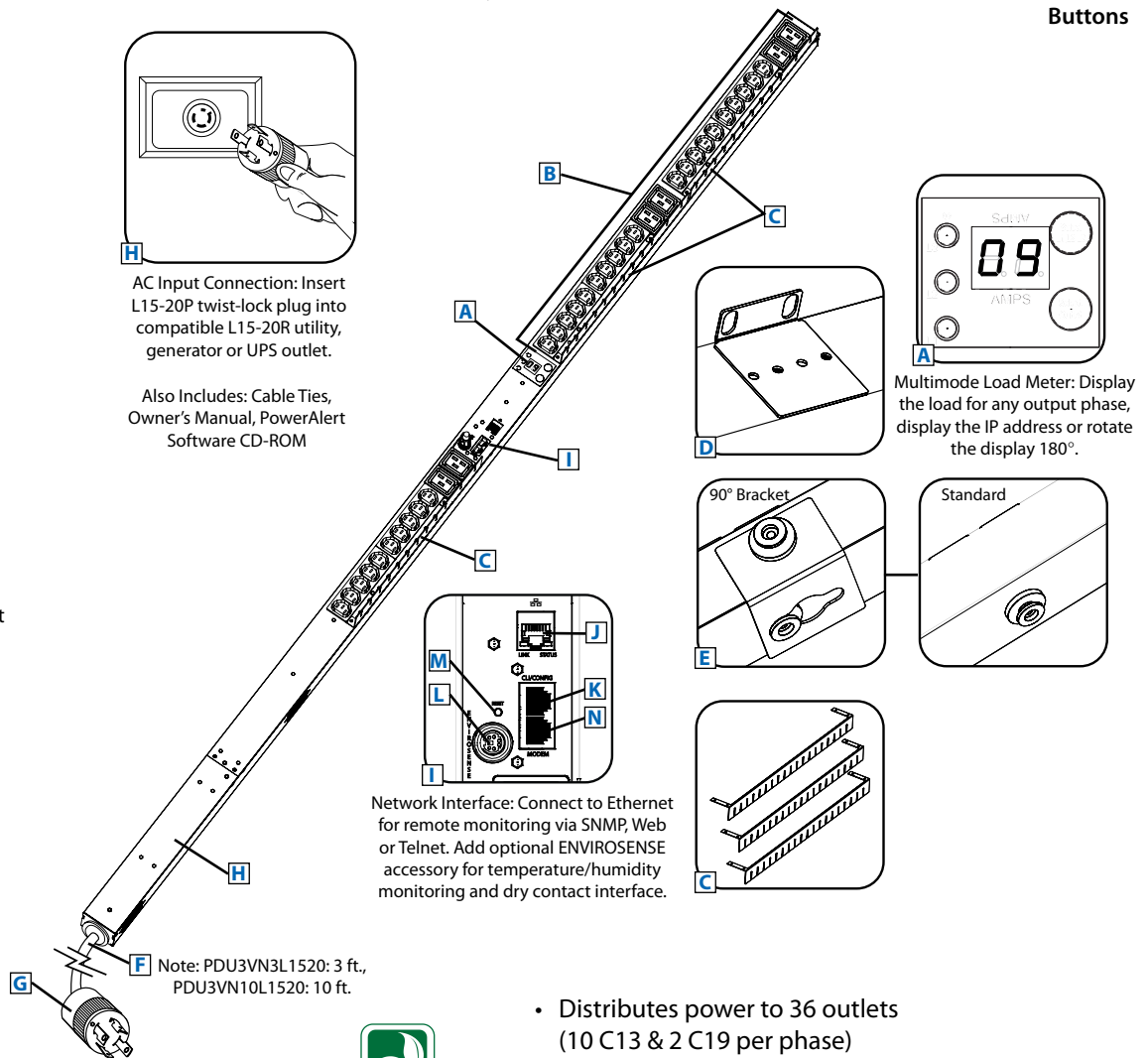
Toolless Mounting Buttons

- A** Digital Load Meter
- B** C13 and C19 Outlets
- C** Removable Cord Retention Brackets
- D** Removable Mounting Brackets
- E** Toolless Mounting Buttons with Removable 90° Rotation Brackets
- F** PDU3VN3L1520: 3-ft. Input Power Cord  
PDU3VN10L1520: 10-ft. Input Power Cord
- G** L15-20P Twist-Lock Input Plug
- H** Durable Metal Case
- I** Network Interface
- J** RJ45 Ethernet Jack
- K** Manual Configuration Port
- L** Environmental Monitoring Port
- M** Network Interface Reset Button
- N** Modem Port (For Future Use)

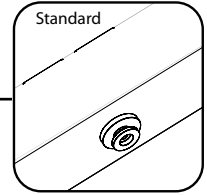
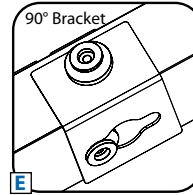
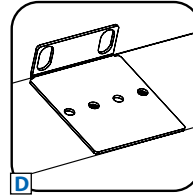


AC Input Connection: Insert L15-20P twist-lock plug into compatible L15-20R utility, generator or UPS outlet.

Also Includes: Cable Ties, Owner's Manual, PowerAlert Software CD-ROM



Multimode Load Meter: Display the load for any output phase, display the IP address or rotate the display 180°.



Network Interface: Connect to Ethernet for remote monitoring via SNMP, Web or Telnet. Add optional ENVIROSENSE accessory for temperature/humidity monitoring and dry contact interface.

Note: PDU3VN3L1520: 3 ft., PDU3VN10L1520: 10 ft.



### Specifications

Models	PDU3VN3L1520, PDU3VN10L1520
Voltage	208V (3-Phase Input/Single-Phase Output)
Frequency	50/60Hz
Load Capacity	5.7kW
Input Plug	L15-20P
Input Cord Length	PDU3VN3L1520: 3 ft., PDU3VN10L1520: 10 ft.
Outlets	36 (30 C13 / 6 C19)
Primary Mounting Option	0U (Vertical) Rackmount
Unit Weight & Dimensions	PDU3VN3L1520: 8.5 lbs / 70 x 2.19 x 3.26 in. PDU3VN10L1520: 9.9 lbs / 70 x 2.19 x 3.26 in. <i>See next page for detailed unit measurements.</i>
Certifications	Tested to UL 60950-1 (US & Canada), NOM (Mexico), FCC Class A

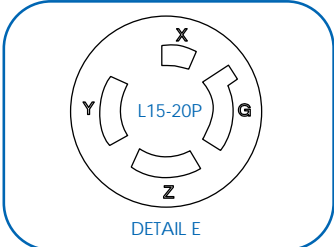
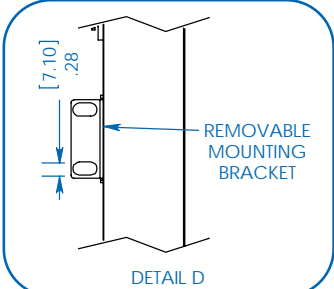
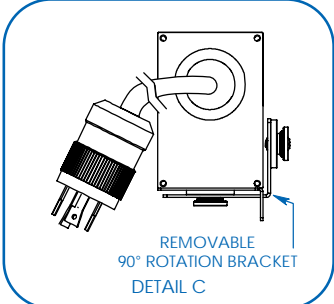
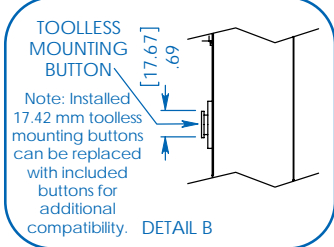
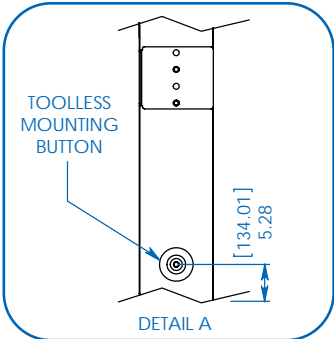
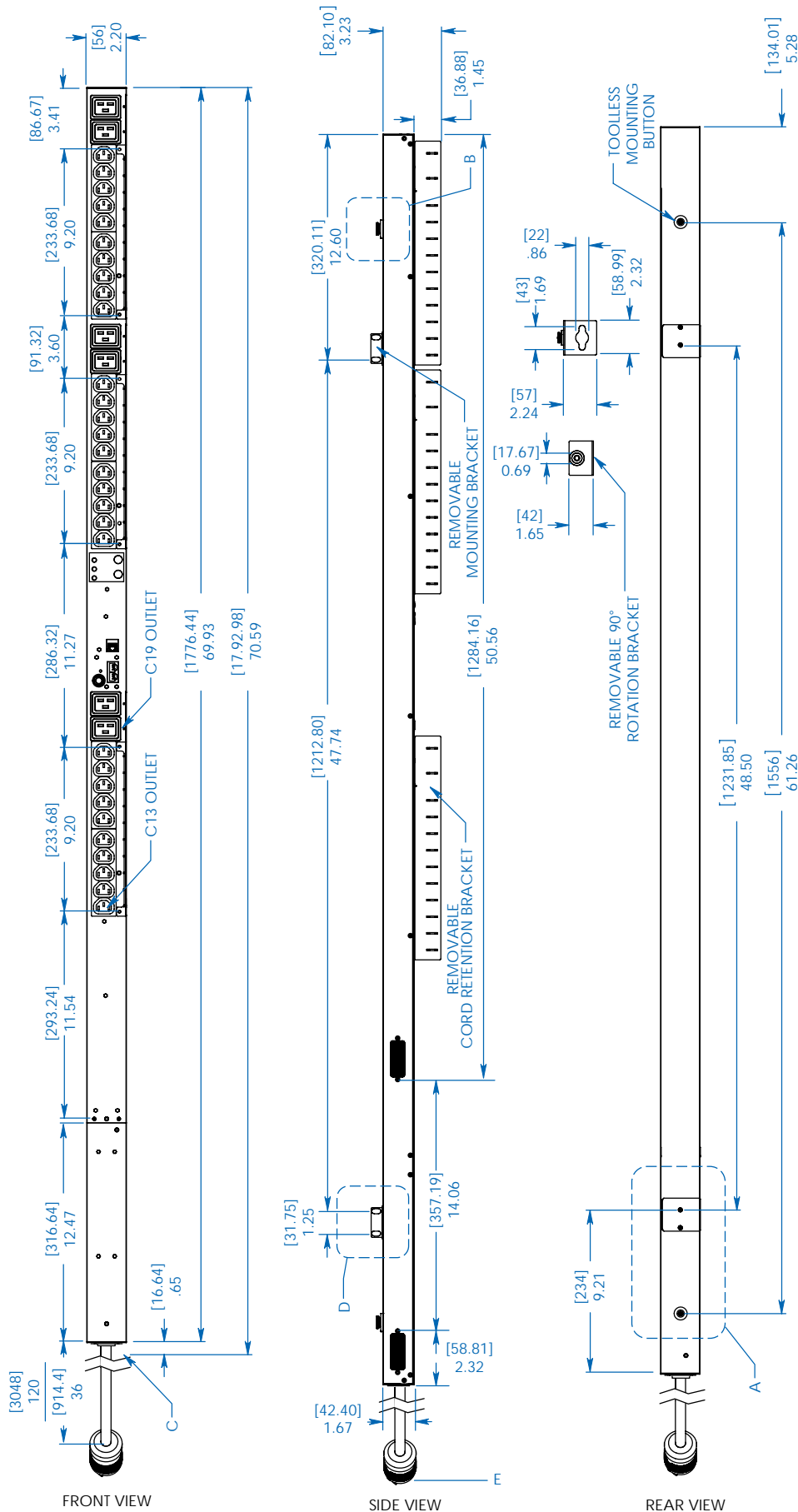
Tripp Lite has a policy of continuous improvement. Specifications are subject to change without notice.

- Distributes power to 36 outlets (10 C13 & 2 C19 per phase)
- Remote monitoring and control via SNMP, Web or Telnet
- Displays load for any output phase in real time
- Perfect for rackmount server, network and telecom applications

**SEE NEXT PAGE FOR DETAILED UNIT MEASUREMENTS**



1111 W. 35th Street  
Chicago, IL 60609 USA  
773.869.1234  
www.tripplite.com



MODELS:  
**PDU3VN3L1520,**  
**PDU3VN10L1520**



1111 W. 35th Street  
 Chicago, IL 60609 USA  
 773.869.1234  
 www.tripplite.com

Dimensions: [mm] INCHES

Tripp Lite has a policy of continuous improvement. Specifications are subject to change without notice.