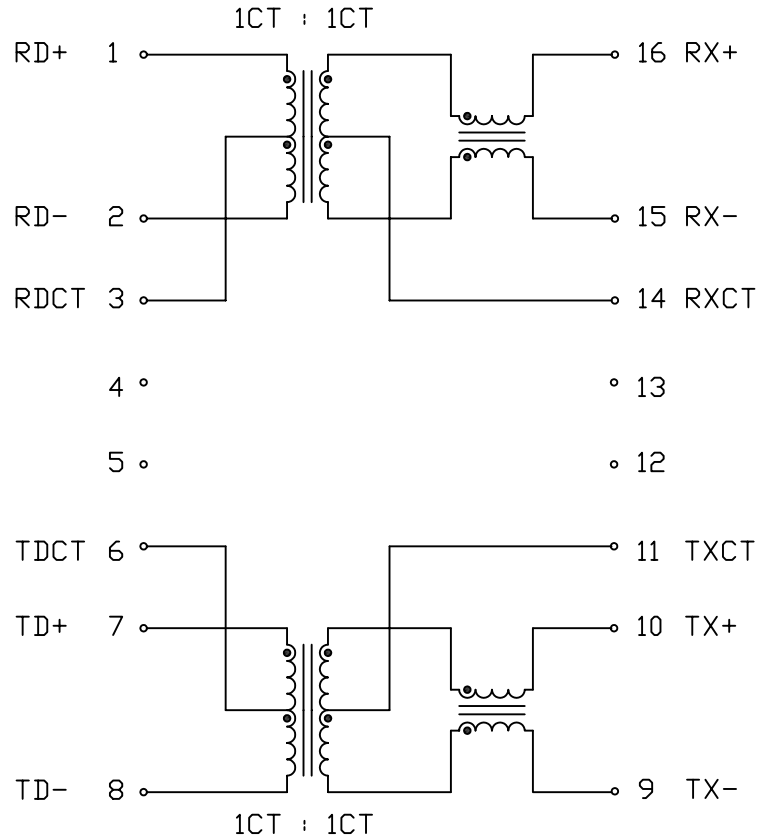


THE INFORMATION CONTAINED HEREIN IS CONSIDERED "PROPRIETARY" TO BEL FUSE INC. AND SHALL NOT BE COPIED, REPRODUCED OR DISCLOSED WITHOUT THE WRITTEN APPROVAL OF BEL FUSE INC.



ELECTRICAL SPECIFICATIONS @25°C

SCHEMATIC



URNS RATIO

(1-3-2) : (16-14-15)
(7-6-8) : (10-11-9)

1CT : 1CT ±2%
1CT : 1CT ±2%

POLARITY

PER DOT CONVENTION

□CL

(1-2) ; (7-8)

350μH MIN AT 100kHz, 100mV
WITH 8mA DC BIAS, FROM 0 -70°C

INSERTION LOSS

1-125MHz

1.2dB MAX

RETURN LOSS

1-30MHz
40-50MHz
60MHz
80MHz
100MHz

18dB MIN
16dB MIN
14dB MIN
12dB MIN
10dB MIN

CROSSTALK

5-10MHz
100MHz

40dB MIN
30dB MIN

COMMON TO COMMON REJECTION

300kHz-155MHz

30dB MIN

HIPOT

PER HAND-WORK-03

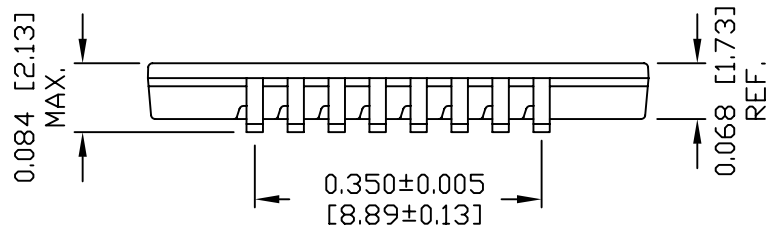
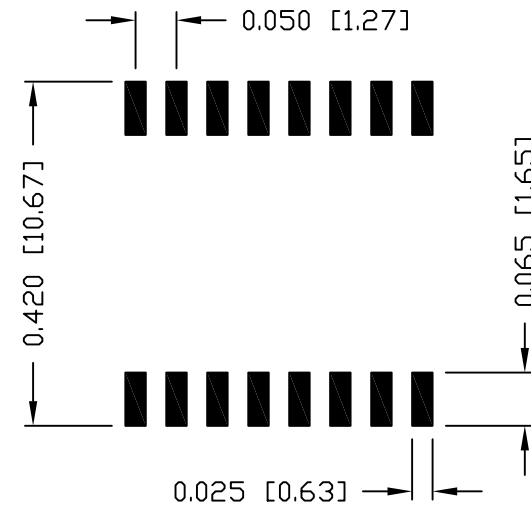
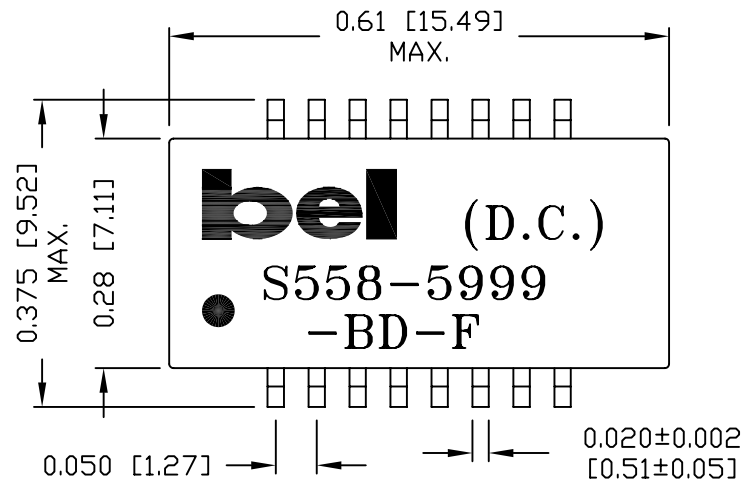
ORIGINATED BY	DATE	TITLE	PART NO. / DRAWING NO.	STANDARD DIM. TOL. IN INCH	[] METRIC DIM. AS REFERENCE
CHAN CH	03-20-09	ELECTRICAL SPECIFICATION S558-5999-BD-F	X5585999BD-F	.X	UNIT : INCH [mm] REV. : A
DRAWN BY	DATE		FILE NAME	.XX	SCALE : N/A SIZE : A4
YH Lai	03-20-09		X5585999BDF.A.DWG	.XXX	SCALE : N/A SIZE : A4 PAGE : 2



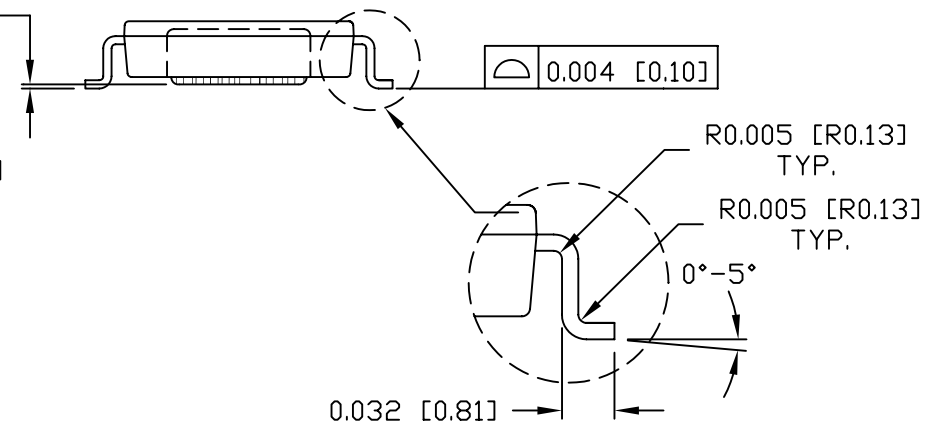
THE INFORMATION CONTAINED HEREIN IS CONSIDERED "PROPRIETARY" TO BEL FUSE INC. AND SHALL NOT BE COPIED, REPRODUCED OR DISCLOSED WITHOUT THE WRITTEN APPROVAL OF BEL FUSE INC.



SUGGESTED PCB PAD LAYOUT



BETWEEN COMPONENTS AND INTERNAL LEADS TO SEATING PLANE WITH 0.002" MIN CLEARANCE



NOTES:

- STANDARD MARKING REFER TO DOC. HAND-WORK-04.
- PACKAGE CODE: "QZS001".

ORIGINATED BY	DATE	TITLE	PART NO. / DRAWING NO.	STANDARD DIM. TOL. IN INCH	[] METRIC DIM. AS REFERENCE
LAWRENCE TSANG	03-20-09	MECHANICAL OUTLINE S558-5999-BD-F	X5585999BD-F	.X	UNIT : INCH [mm]
DRAWN BY	DATE		FILE NAME	.XX ±0.01	SCALE : N/A
YH Lai	03-20-09		X5585999BDF.A.DWG	.XXX ±0.005	SCALE : N/A
					REV. : PA
					SIZE : A4
					PAGE : 3

