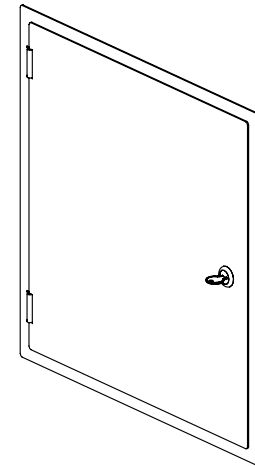
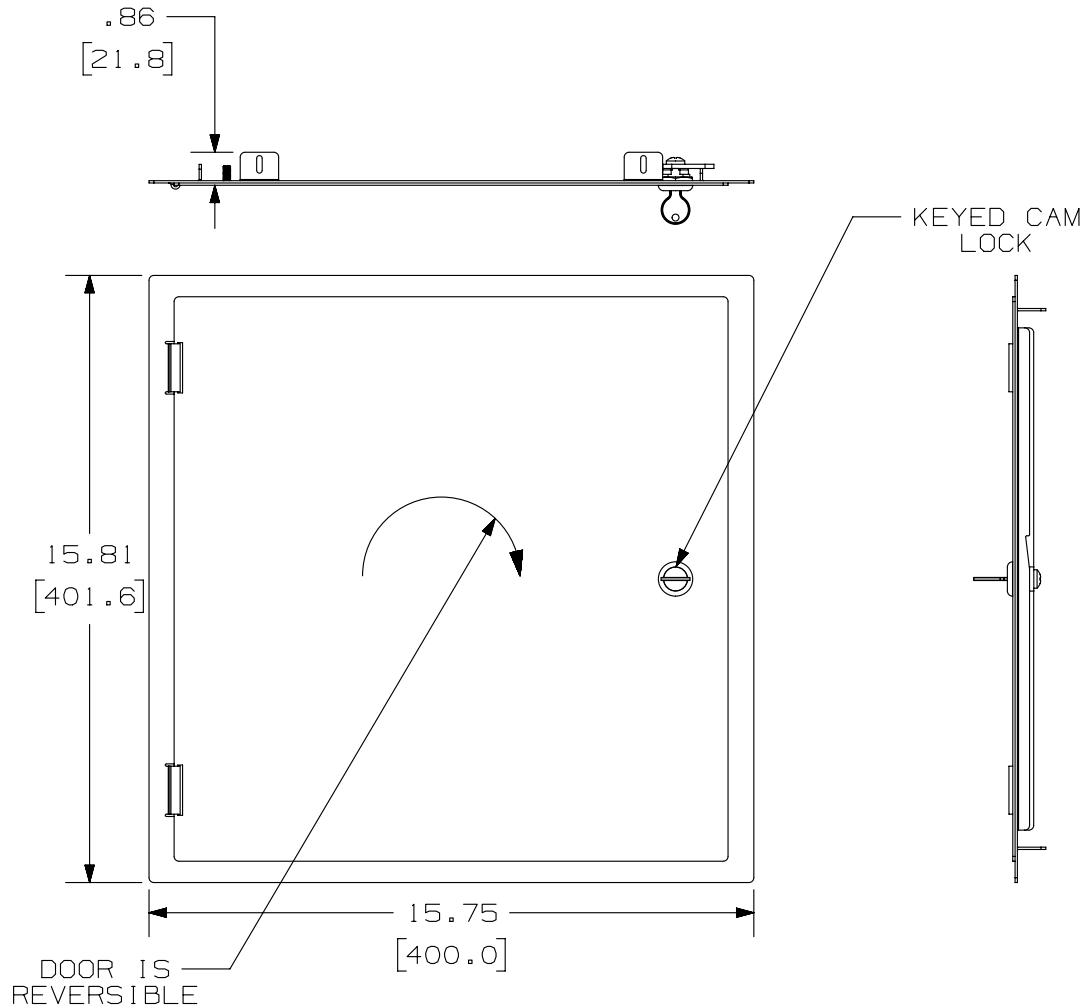


THIS COPY IS PROVIDED ON A RESTRICTED BASIS AND IS NOT TO BE USED IN ANY WAY DETRIMENTAL TO THE INTERESTS OF PANDUIT CORP.

PANDUIT P/N	WEIGHT
MS14HD	5.0 LB/EACH PC (2268.0 g/10 PCS)

NOTES:

- SEE CURRENT CATALOG FOR ADDITIONAL PART NUMBER SUFFIXES TO INDICATE COLOR AND OR PACKAGE QUANTITY.
- SEE CATALOG FOR COMPLETE LIST OF PARTS APPLICABLE FOR USE WITH THIS PART.
- DIMENSIONS IN [] ARE IN METRIC.
- PART INCLUDES:
 1- DOOR ASSEMBLY
 2- KEY
 4- DOOR MOUNTING SCREW
 1- DOCUMENTATION SLEEVE



PART NUMBER		MS14HD	
TITLE			
MEDIA DISTRIBUTION 14" HINGED DOOR			
CUSTOMER DRAWING			
ITEM REVISION NAME		M02695AC/03	
DATASET FILE NAME		M02695AC_DC97/03A	
UNLESS OTHERWISE SPECIFIED, DIMENSIONAL TOLERANCES ARE: IN [mm]		MATERIAL:	
.x ± .xx ± .03 [.8]		16 GAGE C.R.S.	
.xxx ± .010 [.3]		DRAWING NUMBER:	
ANGLES ±		02695-97	
THIRD ANGLE PROJECTION		SHT 1 OF 1	
DRAWN BY	DATE	CHK	SCALE
JSP	3-29-07	REFR	NONE
REV	DATE	BY	CHK
1	4-24-14	MDJR	REFR
R	11-19-07	JSP	REFR
APR	DESCRIPTION		ECN
	A. UPDATED TITLE BLOCK.		02695-97
	RELEASED TO PRODUCTION		02695-97

D10100DA/14

2

1

2

1