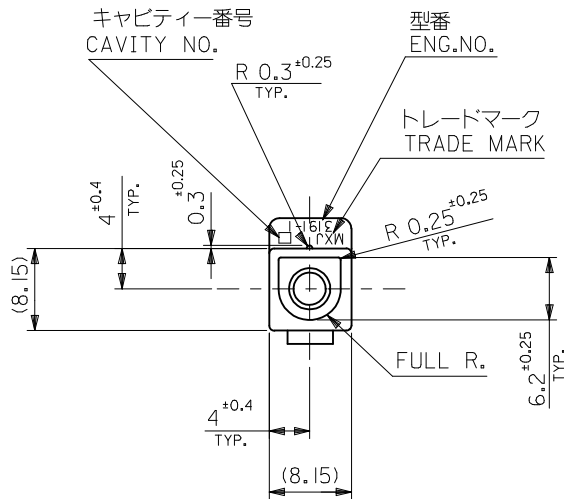


注記
NOTE

- () 内寸法は参考値
DIMENSIONS IN () ARE REFERENCE
- 材料 : ナイロン66
MATERIAL : NYLON66



YELLOW	39-01-9015	3191-01P1-YE	94V-2
RED	39-01-9014	3191-01P1-RE	94V-2
BLUE	39-01-9013	3191-01P1-BU	94V-2
NATURAL	39-03-6013	3191-01P1-201	94V-0
NATURAL	39-03-6012	3191-01P1	94V-2
COLOR	EDP. NO.	ENG. NO.	UL

REVISED EC NO.: J2009-2365 DRWN: KTOYODA 2009/05/01 CHKD: HATSUMOTO 2009/05/01 APPR: NUKITA 2009/05/11	GENERAL TOLERANCES (UNLESS SPECIFIED)		DIMENSION STYLE	SCALE	DESIGN UNITS	THIRD ANGLE PROJECTION	
	10 UNDER ±---		MM ONLY	2:1	METRIC	⊙ □	
	10 OVER 30 UNDER ±---		DRAWN BY	DATE	TITLE		
	30 OVER ±---		H. IJIMA	'96/06/26	1 CKT. PLUG HSG (.093 DIA. TERMINAL)		
J REV	ANGULAR ±---°		CHECKED BY	DATE	MATERIAL NO.		
	DRAFT WHERE APPLICABLE MUST REMAIN WITHIN DIMENSIONS		M. FUKUSHIMA	'96/06/26	SEE CHART		
			APPROVED BY	DATE	DOCUMENT NO.		
			M. ENOMOTO	'96/06/26	SD-3191-002		
		SIZE A3		THIS DRAWING CONTAINS INFORMATION THAT IS PROPRIETARY TO MOLEX INCORPORATED AND SHOULD NOT BE USED WITHOUT WRITTEN PERMISSION			
				SHEET NO.		1 OF 1	