

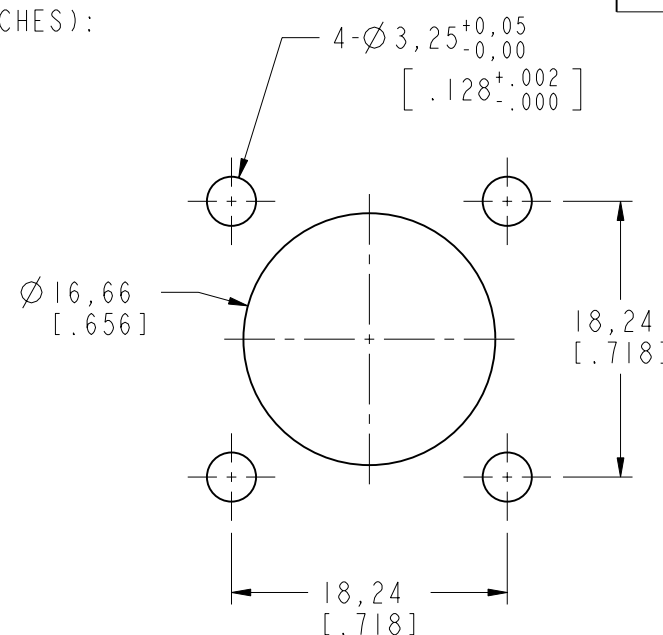
NOTES:

- MATERIALS AND FINISHES(PLATING THICKNESS IN MICRO-INCHES):
 BODY - BRASS, NICKEL PLATING
 CONTACT - BeCu, SILVER PLATING
 INSULATOR - PTFE
- ELECTRICAL:
 A. IMPEDANCE: 50 ohms
 B. FREQUENCY RANGE: 0-11 GHz
 C. VOLTAGE RATING: 1,500 VOLTS PEAK
- MECHANICAL:
 A. TEMPERATURE RANGE: -65° C TO +165° C
- MUST CONFORM TO AMPHENOL SPEC. 349-50551, SEC 304.
 OMIT REFERENCE TO CONTACT
- ASTERISK (*) INDICATES CABLE ENTRY DIM'S.

THIRD ANGLE PROJ.

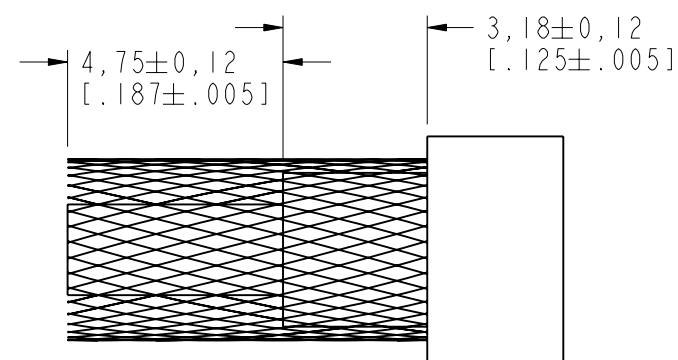
REVISIONS

REV	DESCRIPTION	DATE	ECO	APPR
R	ADD SHEET 2	26-Oct-12	49079	DH

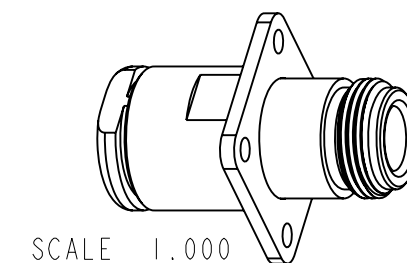


RECOMMENDED MOUNTING HOLE DIMENSIONS

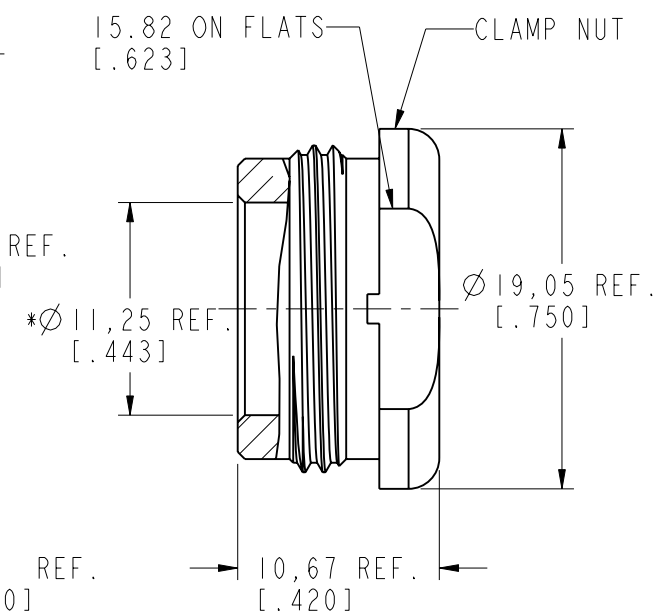
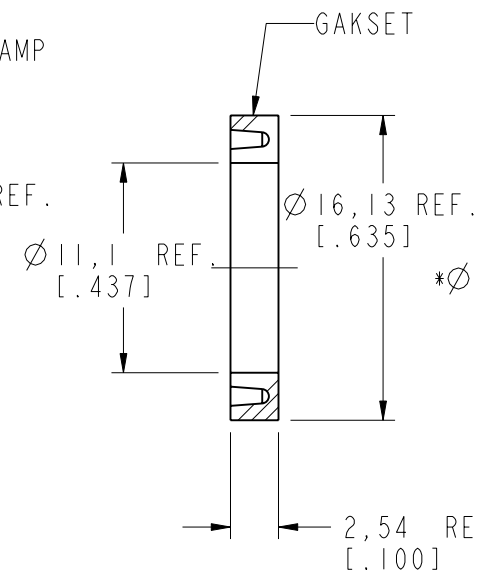
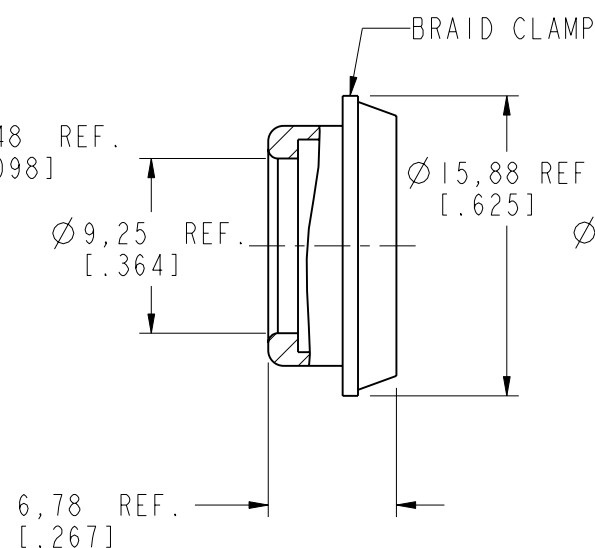
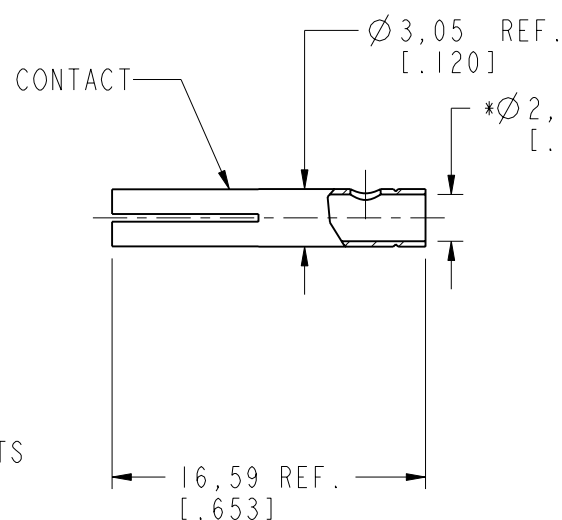
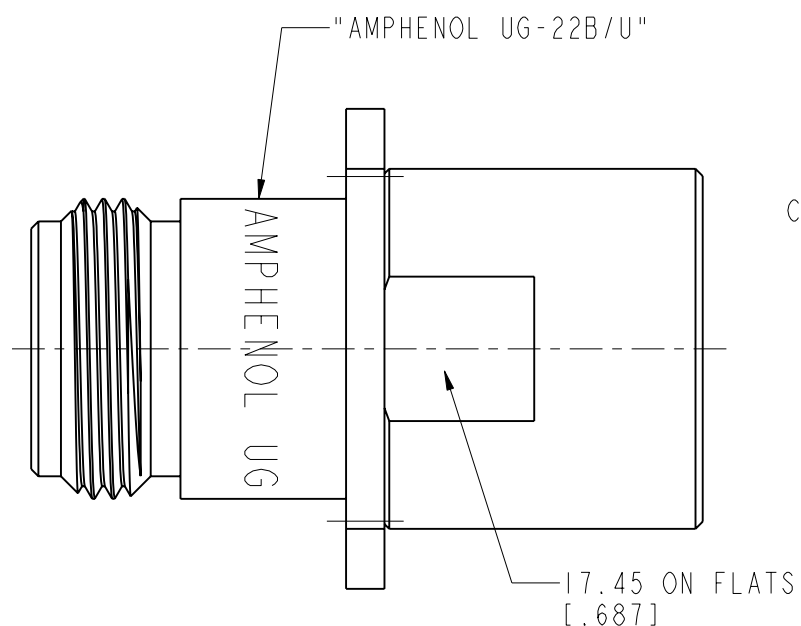
SCALE 2.000



RECOMMENDED CABLE STRIPPING DIM'S



SCALE 1.000



CUSTOMER OUTLINE DRAWING

ALL OTHER SHEETS ARE FOR INTERNAL USE ONLY

UNLESS OTHERWISE SPECIFIED, DIMENSIONS ARE IN METRIC AND TOLERANCES ARE: <0.5mm ± 0.05mm 0.5 - 6mm ± 0.1mm 6 - 30mm ± 0.2mm 30 - 120mm ± 0.3mm ANGLES ± 1°	MATERIAL	DRAWN R. MAO	DATE 14-Aug-12	TITLE TYPE 'N' JACK PANEL MOUNT UG-22 B/U	Amphenol RF www.amphenolrf.com
	REFERENCE	ENGINEER S. LI	DATE 14-Aug-12		
NOTICE - These drawings, specifications, or other data (1) are, and remain the property of Amphenol corp. (2) must be returned upon request; and (3) are confidential and not to be disclosed to any person other than those to whom they are given by Amphenol Corp. the furnishing of these drawings, specifications, or other data by Amphenol Corp., or to any other person to anyone for any purpose is not to be regarded by implication or otherwise in any manner licensing, granting rights to permitting such holder or any other person to manufacture, use or sell any product, process or design, patented or otherwise, that may in any way be related to or disclosed by said drawings, specifications, or other data.	CONFIGURATION LEVEL:	APPROVED S. HSIEH	DATE 14-Aug-12	SCALE: 2.5:1.0	SHEET 2 OF 2
	FINISH	CAD FILE	DWG SIZE B	REV R	ITEM NO. 82-62