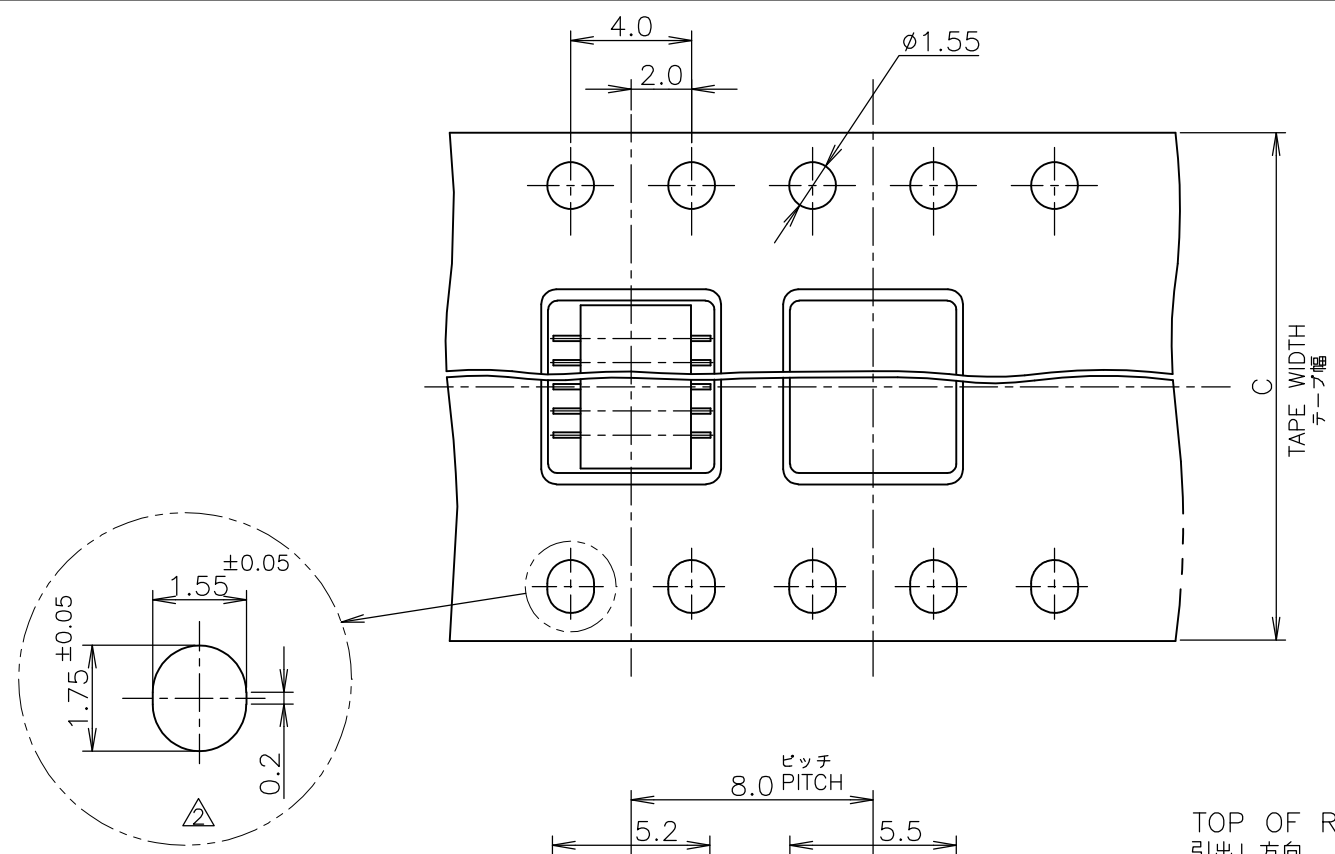


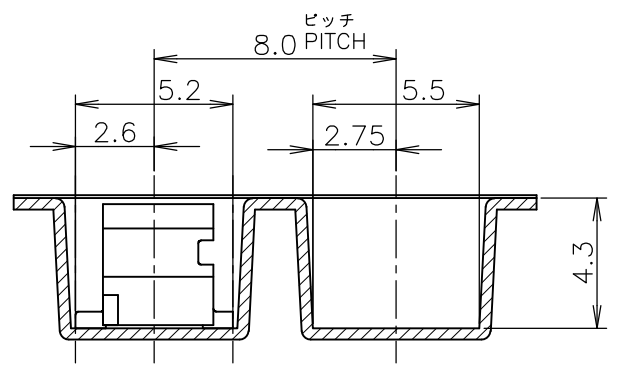
THIS DRAWING IS UNPUBLISHED. RELEASED FOR PUBLICATION DEC, 1995.
 © COPYRIGHT 1995 By Tyco Electronics Japan G.K. ALL RIGHTS RESERVED.

LOC	DIST	REVISIONS 変更					
J	/	P	LTR	DESCRIPTION	DATE	DWN	APVD
		D		REVISED PER ECR-11-010277	17AUG2011	T.T	T.M

* - * : 本図
 * - * : AS SHOWN

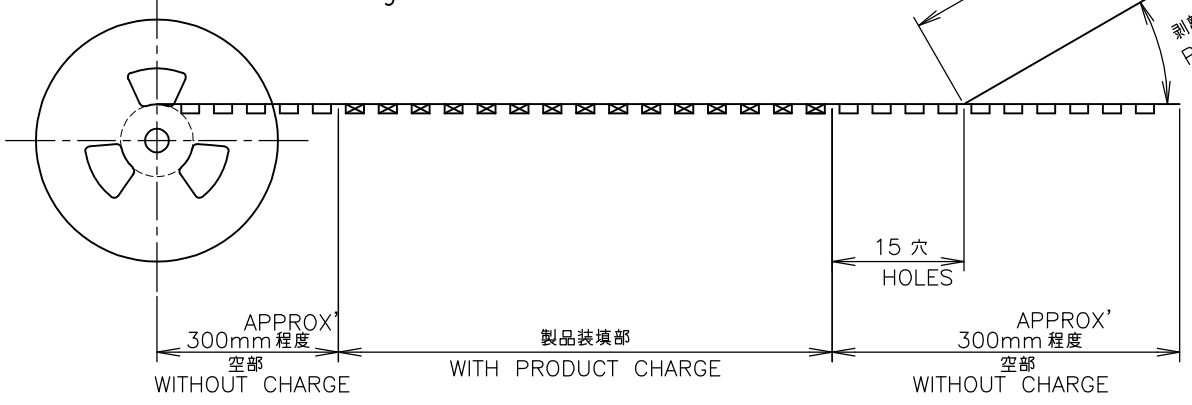
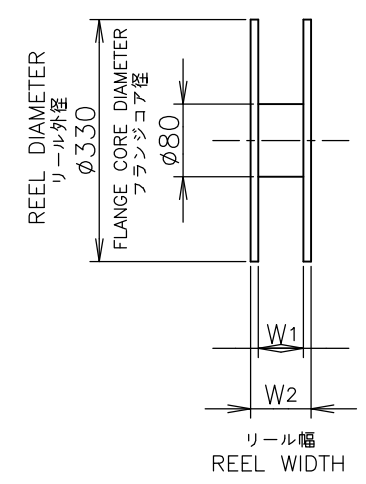


1 包装規格: 107-5142-1
 △ 指示穴は48極品のみ適用。
 1 PACKAGING SPEC: 107-5142-1
 △ THESE HOLES ARE APPLIED TO 48 POS. ONLY.



WEEDING THE COVER TAPE AROUND THE OUTER PERIPHERY IN A TURN.
 カバーテープ リーダー部 外周一巻
 剥離角度, 165°~180° PEELING ANGLE.

Fig-1



29.5	25.5	24	2000	30	3-316738-0	3-316739-0
21.5	17.5	16	2000	18	1-316738-8	1-316739-8
OBSOLETE	21.5	17.5	16	2000	1-316738-6	1-316739-6
	21.5	17.5	16	2000	1-316738-4	1-316739-4
W2	W1	C	数量 (ヶ) QTY/REEL	極数 POS	コネクタ型番 (バラ状) CONNECTOR P/N (L/P)	リール巻 コネクタ型番 TAPING P/N

THIS DRAWING IS A CONTROLLED DOCUMENT.

DWN N.NAGASHIMA 05DEC1995	 TE Connectivity ON TAPING EMBOSS CAP ASSEMBLY H-TYPE 0.8mm PITCH BOARD TO BOARD CONNECTOR エンボス詰 キャップ・アッセンブリ 水平型				
CHK S.KUBOUCHI 05DEC1995					
APVD S.KUBOUCHI 05DEC1995					
NAME 名称					
DIMENSIONS: 単位: 耗 mm	PRODUCT SPEC 製品規格	SIZE A3	CAGE CODE 00779	DRAWING NO. C-316739	RESTRICTED TO
TOLERANCES UNLESS OTHERWISE SPECIFIED: 一般公差	APPLICATION SPEC 取付適用規格	SCALE 尺度 NTS	SHEET 1 OF 1	REV D	
0 PLC ±-	WEIGHT	CUSTOMER DRAWING			
1 PLC ±-					
2 PLC ±-					
3 PLC ±-					
4 PLC ±-					
ANGLES ±-					
MATERIAL 材料	FINISH 仕上				

GENERAL TOLERANCE 一般公差
 10 ≥ : ±0.2
 30 ≥ > 10: ±0.25
 100 ≥ > 30: ±0.3
 ANGLES: ±3°