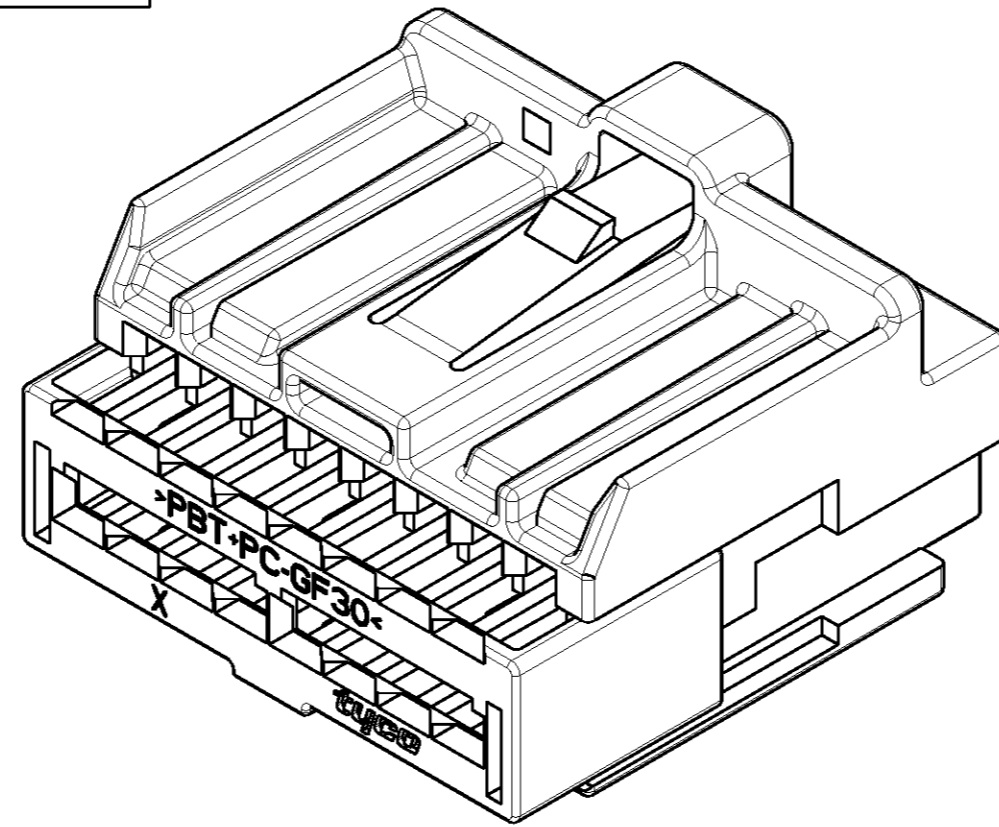
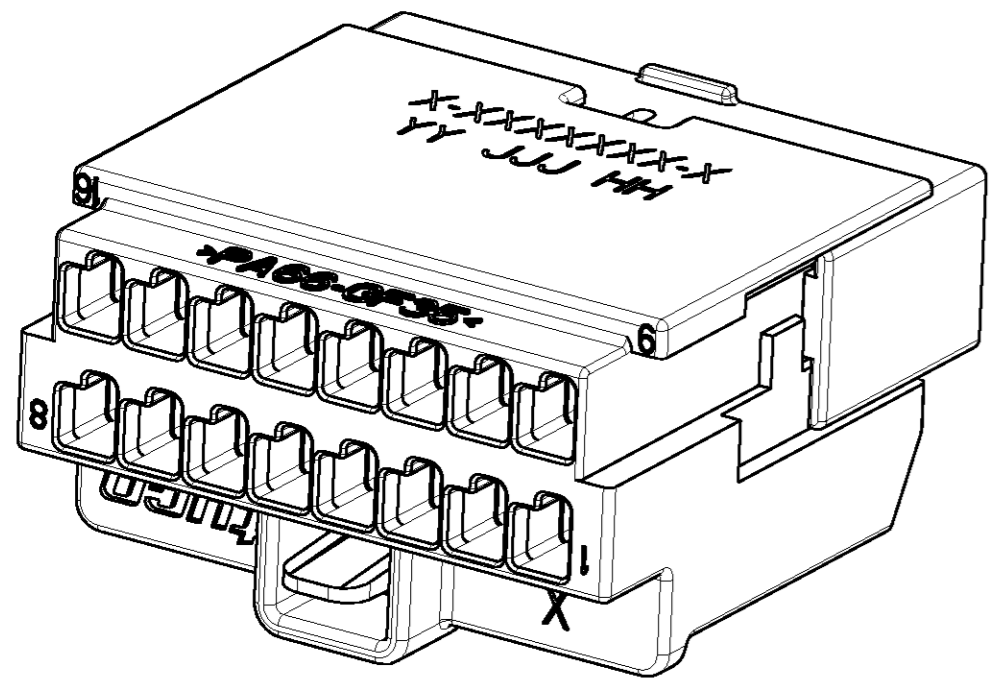
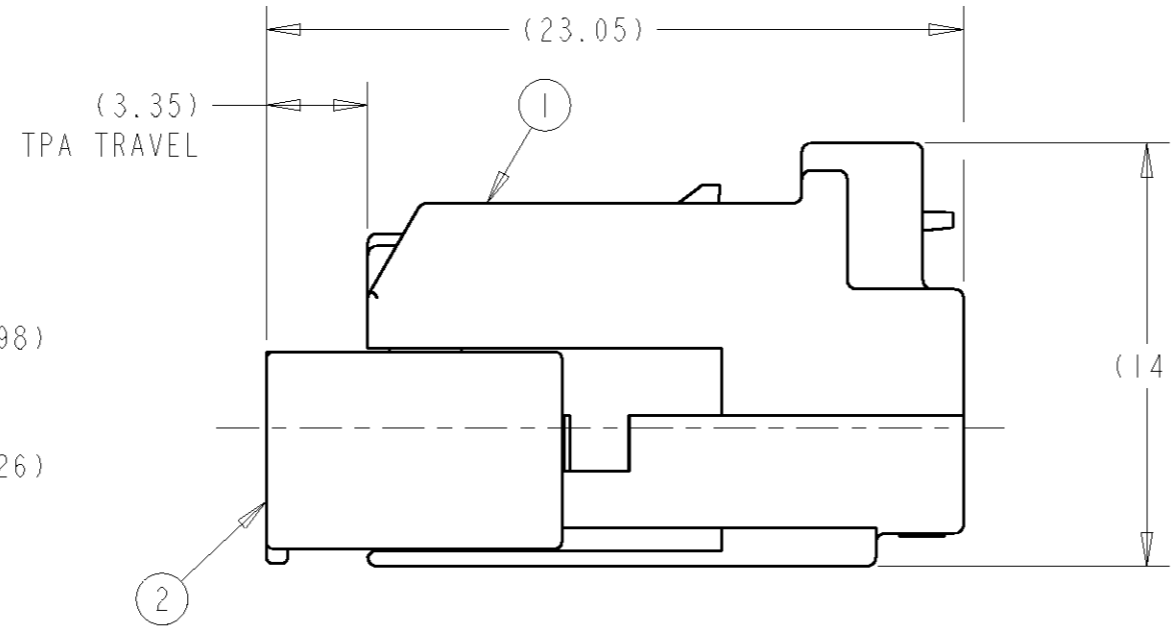
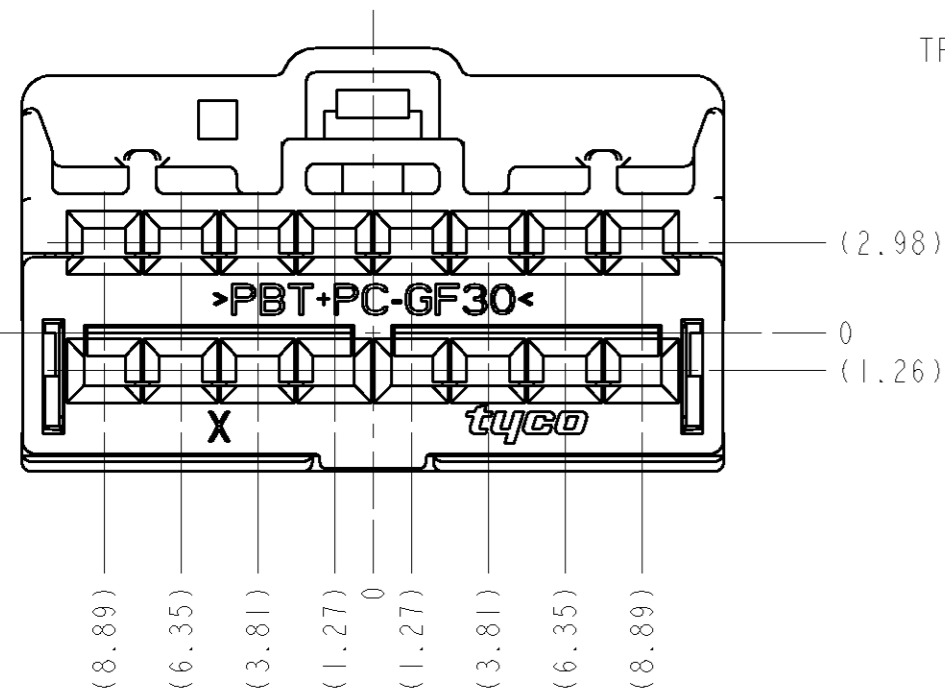


THIS DRAWING IS UNPUBLISHED. RELEASED FOR PUBLICATION 20
 © COPYRIGHT 20 BY TYCO ELECTRONICS CORPORATION. ALL RIGHTS RESERVED.

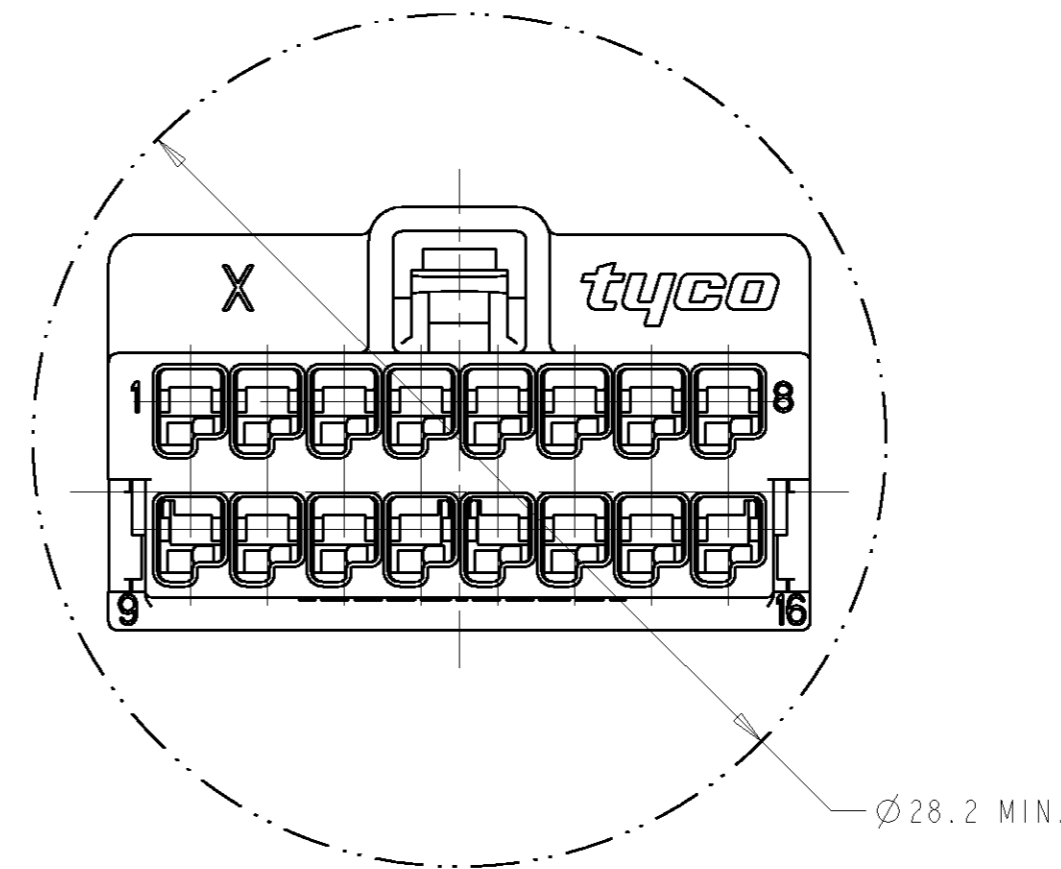
LOC	DIST	REVISIONS			
P	LTR	DESCRIPTION	DATE	DWN	APVD
FX	00				
	A	REVISED PER ECR 07-009220	20APR2007	DLD	DCS



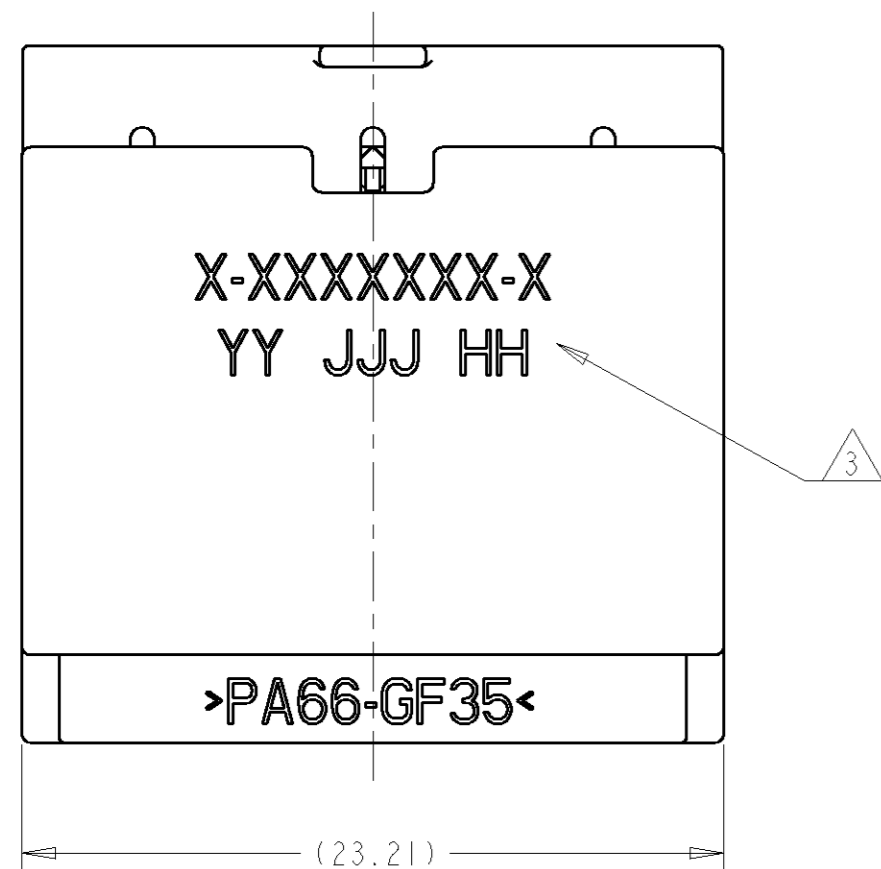
1. APPLICABLE TERMINAL PART NUMBERS (SOLD SEPARATELY):
 FOR TIN APPLICATIONS: 1393367 AND 1393366.
 FOR GOLD APPLICATIONS: 1393365 AND 1393364.
 FOR TERMINATION AND REELING OPTIONS
 SEE DRAWINGS 1393367, 1393366, 1393365, AND 1393364.
2. TPA IS SHIPPED IN ITS PRE-SET POSITION.
 ALL ASSEMBLIES ARE TO BE BULK PACKAGED.
3. PART NUMBER AND DATE CODE
 (YY = TWO DIGIT YEAR, JJJ = JULIAN DAY, HH = TWO DIGIT
 MILITARY HOUR) ARE PRINTED APPROXIMATELY IN THIS LOCATION.
4. APPLICABLE HEADER INTERFACE DRAWING 1488586 IS AVAILABLE
 UPON REQUEST. A COPY OF THIS DRAWING CAN BE OBTAINED FROM
 THE TYCO ELECTRONICS PRODUCT MANAGER, VIA YOUR TYCO
 ELECTRONICS SALES REPRESENTATIVE OR CUSTOMER SERVICE.
5. PART ASSEMBLY WEIGHT WITHOUT TERMINALS: 3.41 GRAMS.



TPA SHOWN IN PRE-SET POSITION
(DELIVERY CONDITION)



MINIMUM FEED THROUGH CONDITION
WITH 1mm CLEARANCE ALL AROUND



THIS DRAWING IS A CONTROLLED DOCUMENT FOR TYCO ELECTRONICS CORPORATION
 IT IS SUBJECT TO CHANGE AND THE CONTROLLING ENGINEERING ORGANIZATION
 SHOULD BE CONTACTED FOR THE LATEST REVISION.

DIMENSIONS:	TOLERANCES UNLESS OTHERWISE SPECIFIED:
mm	
0 PLC	±
1 PLC	±0.3
2 PLC	±0.10
3 PLC	±
4 PLC	±
ANGLES	±1°
MATERIAL	FINISH

QTY	DESCRIPTION	MATERIAL	COLOR/FINISH	ITEM
1	TPA	>PBT+PC-GF35<	RED	2
1	PLUG	>PA66-GF35<	BLACK	1

DWN	M. FORISKA	07 JAN 2003	tyco Tyco Electronics Harrisburg, PA 17105-3608	
CHK	A. SHUMAN	07 JAN 2003		
APVD	J. GUNDERMANN	07 JAN 2003		
PRODUCT SPEC	NAME			
APPLICATION SPEC	2 X 8 UNSEALED FEMALE GET LOW PROFILE PLUG ASSEMBLY WITH 4.24 VERTICAL ROW SPACING		RESTRICTED TO	
WEIGHT	SIZE	CAGE CODE	DRAWING NO	
CUSTOMER DRAWING	A2	00779	1488573	
SCALE	4.1	SHEET	OF	REV
				A