

# **SATA Slim 630**

# **Datasheet**

**(SQF-SLMxx-xG-S9x)**

**CONTENTS**

**1. Overview ..... 4**

**2. Features ..... 5**

**3. Specification Table ..... 6**

**4. General Description ..... 8**

**5. Pin Assignment and Description ..... 10**

    5.1 SATA Slim disk module Interface Pin Assignments (Signal Segment)..... 10

    5.2 SATA Slim disk module Interface Pin Assignments (Power Segment) ..... 10

**6. Identify Device Data ..... 11**

**7. ATA Command Set ..... 15**

**8. System Power Consumption ..... 21**

    8.1 Supply Voltage ..... 21

    8.2 Power Consumption ..... 21

**9. Physical Dimension ..... 22**

**Appendix: Part Number Table ..... 23**

**Revision History**

Rev.	Date	History
0.1	2014/04/03	1. 1 <sup>st</sup> draft
1.0	2016/4/1	1. MLC / UMLC update to 15nm

*Advantech reserves the right to make changes without further notice to any products or data herein to improve reliability, function, or design. Information furnished by Advantech is believed to be accurate and reliable. However, Advantech does not assure any liability arising out of the application or use of this information, nor the application or use of any product or circuit described herein, neither does it convey any license under its patent rights nor the rights of others.*

*Copyright © 1983-2010 Advantech Co., Ltd. All rights reserved.*

## 1. Overview

Advantech SQFlash 630 series SATA Slim delivers all the advantages of Flash Disk technology with the Serial ATA III (6.0Gb) interface, fully compliant with standard SATA Slim form factor. The SQF-SLM is based on the SATA Slim form factor which is generated by JEDEC and could provide a wide range capacity from 1GB to 64GB for SLC, 2GB to up to 64GB for Ultra MLC, and 4GB to up to 128GB for MLC. Also it can reach more than 480MB/s read as well as 180MB/s write high performance even based on MLC flash. The power consumption of Flash Disk is also much lower than traditional Hard Drive.

## 2. Features

### ■ Standard SATA interface

- Support SATA 1.5/3.0/6.0 Gbps interface
- SATA Revision 3.0 compliant

### ■ Operating Voltage : 5V

### ■ Support 72 bit ECC correct per 1K Byte data

### ■ TRIM 、 AHCI supported

### ■ Hardware write protect supported

- Pin header type: default on short position for write protect disable

### ■ Temperature Ranges

- Commercial Temperature
  - 0°C to 70°C for operating
  - -40°C to 85°C for storage
- Industrial Temperature
  - -40°C to 85°C for operating
  - -40°C to 85°C for storage

### ■ Mechanical Specification

- Shock : 1,500G / 0.5ms
- Vibration : 20G / 80~2,000Hz

### ■ Humidity

- Humidity : 5% ~ 95% under 55°C

### ■ Endurance : > 2,000,000 program/erase cycles

- This is a test result of the whole SQFlash drive. The test is to keep writing a fixed logical block address (LBA) and see if any bad blocks occur after 2M cycles. With wear-levelling mechanism, although the disk was kept writing the same LBA but the physical block changes per block writing. So this test also proves that wear-leveling is really working, or the block would be wearout after its designated life cycles.

### ■ Data Retention

- 10 years

### ■ Acquired RoHS 、 WHQL 、 CE 、 FCC Certificate

### ■ Acoustic : 0 dB

### ■ Dimension : 54.0 mm x 39.0 mm x 4.0 mm

### 3. Specification Table

■ **Performance**

		Sequential Performance (MB/sec)		Random Performance (IOPS @4K)	
		Read	Write	Read	Write
SLC	1 GB	33.83	21.16	6,994	2,533
	2 GB	67.44	41.19	13,652	4,531
	4 GB	133.40	90.05	20,987	14,687
	8 GB	286.40	86.94	40,832	18,468
	16 GB	523.00	153.00	36,608	27,392
	32 GB	503.70	148.00	41,779	27,238
	64 GB	509.50	152.20	36,762	27,418
Ultra MLC	2 GB	121.90	57.17	64,444	12,025
	4 GB	243.70	113.50	44,514	21,069
	8 GB	478.10	175.40	40,064	26,009
	16 GB	513.80	184.30	47,795	31,590
	32 GB	510.20	178.60	45,952	29,900
	64 GB	529.80	194.60	41,395	27,033
	128 GB	503.00	180.50	36,224	25,702
MLC	4 GB	119.40	56.74	64,586	10,409
	8 GB	236.90	113.10	45,339	20,926
	16 GB	434.70	177.90	40,012	25,753
	32 GB	494.40	190.90	47,206	29,209
	64 GB	416.40	180.80	45,491	27,187
	128 GB	527.30	191.10	35,891	24,499
	256 GB	510.10	186.80	34,252	24,765

\* All performance above are tested with AHCI mode.

■ **Endurance**

According to JEDEC subcommittee JC-64.8, the actual endurance of flash storage can be presented by Terabyte Write (TBW), which is measured by NAND Flash physical endurance, Wear-leveling Efficiency (WLE) and Write Amplification Factor (WAF) of specific capacities with following formula.

$$TBW = [(NAND\ Flash\ Physical\ Endurance) \times Capacity \times WLE] / WAF$$

• **TBW of sequential writing**

	WLE	WAF	TBW		
			SLC	Ultra MLC	MLC
1 GB	0.9130	1.1013	80	--	--
2 GB	0.9130	1.1017	161	32	--
4 GB	0.9130	1.1025	323	64	9
8 GB	0.9120	1.1026	646	129	19
16 GB	0.9120	1.1031	1291	258	38
32 GB	0.9120	1.1029	2584	516	77
64 GB	0.9110	1.1039	5157	1031	154
128 GB	0.9110	1.1039	--	2063	309
256 GB	0.9100	1.1041	--	--	618

• **TBW of random writing**

	WLE	WAF	TBW		
			SLC	Ultra MLC	MLC
1 GB	0.9130	1.2176	73	--	--
2 GB	0.9130	1.2837	138	27	--
4 GB	0.9130	1.3034	273	54	8
8 GB	0.9120	1.3278	536	107	16
16 GB	0.9120	2.2323	638	127	19
32 GB	0.9120	2.3535	1210	242	36
64 GB	0.9110	2.4396	2333	466	70
128 GB	0.9110	2.3141	--	984	147
256 GB	0.9100	2.2614	--	--	301

## 4. General Description

### ■ **Advanced NAND Flash Controller**

Advantech SQFlash 630 series SATA Slim includes Bad Block Management Algorithm, Wear Leveling Algorithm, Error Detection / Correction Code (EDC/ECC) Algorithm, Fragment Writing Technology, and GuaranteedFlush Technology.

### ■ **Bad Block Management**

Bad blocks are blocks that contain one or more invalid bits of which the reliability is not guaranteed. Bad blocks may be representing when flash is shipped and may developed during life time of the device.

Advantech SQFlash 630 series SATA Slim implement an efficient bad block management algorithm to detect the factory produced bad blocks and manages any bad blocks that may develop over the life time of the device. This process is completely transparent to the user, user will not aware of the existence of the bad blocks during operation.

### ■ **Wear Leveling**

NAND Type flash have individually erasable blocks, each of which can be put through a finite number of erase cycles before becoming unreliable. It means after certain cycles for any given block, errors can be occurred in a much higher rate compared with typical situation. Unfortunately, in the most of cases, the flash media will not been used evenly. For certain area, like file system, the data gets updated much frequently than other area. Flash media will rapidly wear out in place without any rotation.

Wear leveling attempts to work around these limitations by arranging data so that erasures and re-writes are distributed evenly across the full medium. In this way, no single sector prematurely fails due to a high concentration of program/erase cycles.

Advantech SQFlash 630 series SATA Slim provides advanced wear leveling algorithm, which can efficiently spread out the flash usage through the whole flash media area. By implement both dynamic and static wear leveling algorithms, the life expectancy of the flash media can be improved significantly.

### ■ **Error Detection / Correction**

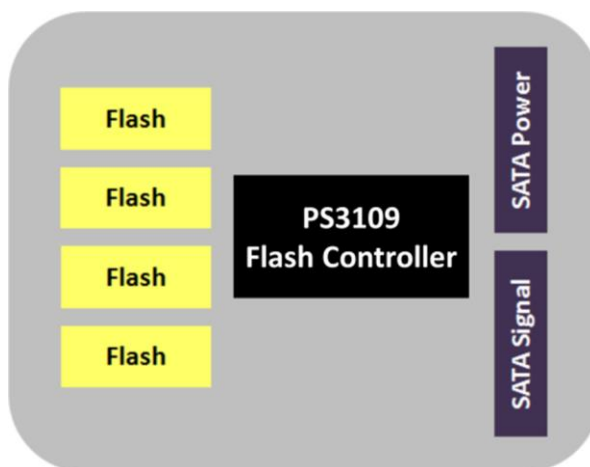
Advantech SQFlash 630 series SATA Slim utilizes BCH ECC Algorithm which offers one of the most powerful ECC algorithms in the industry. This algorithm can support 48/32/28 bit ECC correct per 2K Byte data.

### ■ **Sophisticate Product Management Systems**

Since industrial application require much more reliable devices compare with consumer product, a more sophisticated product management system become necessary for industrial customer requirement. The key to providing reliable devices is product traceability and failure analysis system. By implement such systems end customer can expect much more reliable product.



■ **Block Diagram**



■ **LBA value**

Density	LBA
1 GB	1,974,672
2 GB	3,928,176
4 GB	7,835,184
8 GB	15,649,200
16 GB	31,277,232
32 GB	62,533,296
64 GB	125,045,424
128 GB	250,069,680

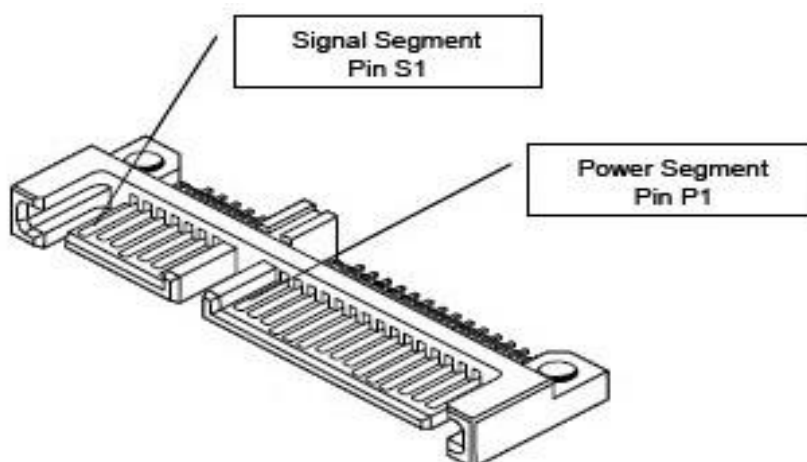
## 5. Pin Assignment and Description

### 5.1 SATA Slim disk module Interface Pin Assignments (Signal Segment)

Pin #	Function	Description
S1	GND	2 <sup>nd</sup> mate
S2	A+	Differential signal pair A
S3	A-	
S4	GND	2 <sup>nd</sup> mate
S5	B-	Differential signal pair B
S6	B+	
S7	GND	2 <sup>nd</sup> mate

### 5.2 SATA Slim disk module Interface Pin Assignments (Power Segment)

Pin #	Function
P1	Not Used (3.3V)
P2	Not Used (3.3V)
P3	DEVSLP
P4	GND
P5	GND
P6	GND
P7	5V Pre-Charge
P8	5V
P9	5V
P10	GND
P11	LED pin
P12	GND
P13	Not Used (12V Pre-Charge)
P14	Not Used (12V)
P15	Not Used (12V)



## 6. Identify Device Data

The Identify Device Data enables Host to receive parameter information from the device. The parameter words in the buffer have the arrangement and meanings defined in below table. All reserve bits or words are zero

Word Address	Default Value	Data Field Type Information
0	0040h	General configuration bit-significant information
1	*1	Obsolete – Number of logical cylinders
2	C837h	Specific configuration
3	0010h	Obsolete – Number of logical heads (16)
4-5	0000h	Retired
6	003Fh	Obsolete – Number of logical sectors per logical track (63)
7-8	0000h	Reserved for assignment by the Compact Flash Association
9	0000h	Retired
10-19	Varies	Serial number (20 ASCII characters)
20-21	0000h	Retired
22	0000h	Obsolete
23-26	Varies	Firmware revision (8 ASCII characters)
27-46	Varies	Model number (xxxxxxxx)
47	8010h	7:0- Maximum number of sectors transferred per interrupt on MULTIPLE commands
48	4000h	Trusted Computing feature set options(not support)
49	2F00h	Capabilities
50	4000h	Capabilities
51-52	00000h	Obsolete
53	0007h	Words 88 and 70:64 valid
54	*1	Obsolete – Number of logical cylinders
55	0010h	Obsolete – Number of logical heads (16)
56	003Fh	Obsolete – Number of logical sectors per track (63)
57-58	*2	Obsolete – Current capacity in sectors
59	0110h	Number of sectors transferred per interrupt on MULTIPLE commands
60-61	*3	Maximum number of sector ( 28bit LBA mode)
62	0000h	Obsolete
63	0407h	Multi-word DMA modes supported/selected
64	0003h	PIO modes supported
65	0078h	Minimum Multiword DMA transfer cycle time per word
66	0078h	Manufacturer's recommended Multiword DMA transfer cycle time
67	0078h	Minimum PIO transfer cycle time without flow control
68	0078h	Minimum PIO transfer cycle time with IORDY flow control

69	0100h	Additional Supported (support download microcode DMA)
70	0000h	Reserved
71-74	0000h	Reserved for the IDENTIFY PACKET DEVICE command
75	001Fh	Queue depth
76	670eh	Serial SATA capabilities
77	0084h	Serial ATA Additional Capabilities
78	014Ch	Serial ATA features supported
79	0040h	Serial ATA features enabled
80	07F8h	Major Version Number
81	0000h	Minor Version Number
82	346bh	Command set supported
83	7d09h	Command set supported
84	6063h	Command set/feature supported extension
85	3469h	Command set/feature enabled
86	bc01h	Command set/feature enabled
87	6063h	Command set/feature default
88	003Fh	Ultra DMA Modes
89	0001h	Time required for security erase unit completion
90	001Eh	Time required for Enhanced security erase completion
91	0000h	Current advanced power management value
92	FFFEh	Master Password Revision Code
93	0000h	Hardware reset result. The contents of the bits (12:0) of this word can be changed only during the execution of hardware reset.
94	0000h	Vendor's recommended and actual acoustic management value
95	0000h	Stream Minimum Request Size
96	0000h	Streaming Transfer Time – DMA
97	0000h	Streaming Access Latency – DMA and PIO
98-99	0000h	Streaming Performance Granularity
100-103	*4	Maximum user LBA for 48 bit Address feature set
104	0000h	Streaming Transfer Time – PIO
105	0008h	Maximum number of 512-byte blocks per DATA SET MANAGEMENT command
106	4000h	Physical sector size/Logical sector size
107	0000h	Inter-seek delay for ISO-7779 acoustic testing in microseconds
108-111	0000h	Unique ID
112-116	0000h	Reserved
117-118	0000h	Words per logical Sector
119	4014h	Supported settings

Specifications subject to change without notice, contact your sales representatives for the most update information.

120	4014h	Command set/Feature Enabled/Supported
121-126	0000h	Reserved
127	0000h	Removable Media Status Notification feature set support
128	0021h	Security status
129-140	0000h	Vendor specific
141	0001h	Vendor specific
142-159	0000h	Vendor specific
160	0000h	Compact Flash Association (CFA) power mode 1
161-167	0000h	Reserved for assignment by the CFA
168	3h 2.5 inch 4h 1.8 inch 5h Less than 1.8 inch	Device Nominal Form Factor
169	0001h	DATA SET MANAGEMENT command is supported
170-173	0000h	Additional Product Identifier
174-175	0000h	Reserve
176-205	0000h	Current media serial number
206	0000h	SCT Command Transport
207-208	0000h	Reserved
209	4000h	Alignment of logical blocks within a physical block
210-211	0000h	Write-Read-Verify Sector Count Mode 3 (not support)
212-213	0000h	Write-Read-Verify Sector Count Mode 2 (not support)
214-216	0000h	NV Cache relate (not support)
217	0001h	Non-rotating media device
218	0000h	Reserved
219	0000h	NV Cache relate (not support)
220	0000h	Write read verify feature set current mode
221	0000h	Reserved
222	107Fh	Transport major version number
223	0000h	Transport minor version number
224-229	0000h	reserved
230-233	0000h	Extend number of user addressable sectors
234	0001h	Minimum number of 512-byte data blocks per DOWNLOAD MICROCODE command for mode 03h
235	0080h	Maximum number of 512-byte data blocks per DOWNLOAD MICROCODE command for mode 03h
236-254	0000h	Reserved
255	XXA5h XX is variable	Integrity word (Checksum and Signature)

Capacity (GB)	*1 (Word 1 / 54)	*2 (Word 57 - 58)	*3 (Word 60 - 61)	*4 (Word 100 – 103)
1	7A7h	1E2190h	1E2190h	1E2190h
2	F39h	3BF070h	3BF070h	3BF070h

Specifications subject to change without notice, contact your sales representatives for the most update information.

4	1E5Dh	778E30h	778E30h	778E30h
8	3CA5h	EEC9B0h	EEC9B0h	EEC9B0h
16	3FFFh	FBFC10h	1DD40B0h	1DD40B0h
32	3FFFh	FBFC10h	3BA2EB0h	3BA2EB0h
64	3FFFh	FBFC10h	7740AB0h	7740AB0h

## 7. ATA Command Set [Command Set List]

Op-Code	Command Description
06h	Data Set Management
10h-1Fh	Recalibrate
20h	Read Sectors
21h	Read Sectors without Retry
24h	Read Sectors EXT
25h	Read DMA EXT
27h	Read Native Max Address EXT
29h	Read Multiple EXT
2Fh	Read Log EXT
30h	Write Sectors
31h	Write Sectors without Retry
34h	Write Sectors EXT
35h	Write DMA EXT
37h	Set Native Max Address EXT
39h	Write Multiple EXT
3Dh	Write DMA FUA EXT
3Fh	Write Long EXT
40h	Read Verify Sectors
41h	Read Verify Sectors without Retry
42h	Read Verify Sectors EXT
60h	Read FPDMA Queued
61h	Write FPDMA Queued
70h	Seek
90h	Execute Device Diagnostic
91h	Initialize Device Parameters
92h	Download Microcode
B0h	SMART
C4h	Read Multiple
C5h	Write Multiple
C6h	Set Multiple Mode
C8h	Read DMA
C9h	Read DMA without Retry
CAh	Write DMA
CBh	Write DMA without Retry
CEh	Write Multiple FUA EXT
E0h	Standby Immediate
E1h	Idle Immediate
E2h	Standby
E3h	Idle
E4h	Read Buffer
E5h	Check Power Mode
E6h	Sleep
E7h	Flush Cache
E8h	Write Buffer
EAh	Flush Cache EXT
ECh	Identify Device
EFh	Set Features

Specifications subject to change without notice, contact your sales representatives for the most update information.

F1h	Security Set Password
F2h	Security Unlock
F3h	Security Erase Prepare
F4h	Security Erase Unit
F5h	Security Freeze Lock
F6h	Security Disable Password
F8h	Read Native Max Address
F9h	Set Max Address

Note: ND = Non-Data Command  
 PI = PIO Data-In Command  
 PO = PIO Data-Out Command  
 DM = DMA Command  
 DD = Execute Diagnostic Command

**[Command Set Descriptions]**

**1. CHECK POWER MODE (code: E5h);**

This command allow host to determine the current power mode of the device.

**2. DOWNLOAD MICROCODE (code: 92h);**

This command enable the host to alter the device’s microcode. The data transferred using the DOWNLOAD MICROCODE command is vendor specific.

All transfers shall be an integer multiple of the sector size. The size of the data transfer is determined by the content of the LBA Low register and the Sector Count register.

This allows transfer sizes from 0 bytes to 33,553,920 bytes, in 512bytes increments.

**3. EXECUTE DEVICE DIAGNOSTIC (code: 90h);**

This command performs the internal diagnostic tests implemented by the module.

**4. FLUSH CACHE (code: E7h);**

This command used by the host to request the device to flush the write cache.

**5. FLUSH CACHE EXT (code: EAh);**

This command is used by the host to request the device to flush the write cache. If there is data in the write cache, that data shall be written to the media.

**6. IDENTIFY DEVICE (code: ECh);**

The IDENTIFY DEVICE command enables the host to receive parameter information from the module.

**7. IDLE (code: 97h or E3h);**

This command allows the host to place the module in the IDLE mode and also set the Standby timer. INTRQ may be asserted even through the module may not have fully transitioned to IDLE mode. If the Sector Count register is non-”0”, then the Standby timer shall be enabled. The value in the Sector Count register shall be used to determine the time programmed into the Standby timer. If the Sector Count register is ”0” then the Standby timer is disabled.

**8. IDLE IMMEDIATE (code: E1h);**

This command causes the module to set BSY, enter the Idle (Read) mode, clear BSY and generate an interrupt.

**9. INITIALIZE DEVICE PARAMETERS (code: 91h);**

This command enables the host to set the number of sectors per track and the number of heads per cylinder.



**10. NOP (code: 00h);**

If this command is issued, the module respond with command aborted.

**11. READ BUFFER (code: E4h);**

This command enables the host to read the current contents of the module's sector buffer.

**12. READ DMA (code: C8h or C9h);**

This command reads from "1" to "256" sectors as specified in the Sector Count register using the DMA data transfer protocol. A sector count of "0" requests "256" sectors transfer. The transfer begins at the sector specified in the Sector Number register.

**13. READ DMA Ext (code: 25h);**

This command allows the host to read data using the DMA data transfer protocol.

**14. READ MULTIPLE (code: C4h);**

This command performs similarly to the READ SECTORS command. Interrupts are not generated on each sector, but on the transfer of a block which contains the number of sector per block is defined by the content of word 59 in the IDENTIFY DEVICE response.

**15. READ MULTIPLE EXT (code: 29h);**

This command performs similarly to the READ SECTORS command. The number of sectors per block is defined by a successful SET MULTIPLE command. If no successful SET MULTIPLE command has been issued, the block is defined by the device's default value for number of sectors per block as defined in bits (7:0) in word 47 in the IDENTIFY DEVICE information.

**16. READ NATIVE MAX ADDRESS (code: F8h);**

This command returns the native maximum address. The native maximum address is the highest address accepted by the device in the factory default condition.

**17. READ NATIVE MAX ADDRESS EXT (code: 27h);**

This command returns the native maximum address.

**18. READ SECTOR(S) (code: 20h or 21h);**

This command reads from "1" to "256" sectors as specified in the Sector Count register. A sector count of "0" requests "256" sectors transfer. The transfer begins at the sector specified in the Sector Number register.

**19. READ SECTOR(S) EXT (code: 24h);**

This command reads from "1" to "65536" sectors as specified in the Sector Count register. A sector count of "0" requests "65536" sectors transfer. The transfer begins at the sector specified in the Sector Number register.

**20. READ VERIFY SECTOR(S) (code: 40h or 41h);**

This command is identical to the READ SECTORS command, except that DRQ is never set and no data is transferred to the host.

**21. READ VERIFY SECTOR(S) EXT (code: 42h);**

This command is identical to the READ SECTORS command, except that DRQ is never set and no data is transferred to the host.

**22. RECALIBRATE (code: 1Xh);**

This command return value is select address mode by the host request.

**23. SECURITY DISABLE PASSWORD (code: F6h);**

This command transfers 512 bytes of data from the host. Table defines the content of this information. If the password selected by word 0 match the password previously saved by the device, the device shall disable the Lock mode. This command shall not change the Master password. The Master password shall be reactivated when a User password is set.

**24. SECURITY ERASE PREPARE (code: F3h);**

This command shall be issued immediately before the SECURITY ERASE UNIT command to enable device erasing and unlocking.

**25. SECURITY ERASE UNIT (code: F4h);**

This command transfer 512 bytes of data from the host. Table## defines the content of this information. If the password does not match the password previously saved by the device, the device shall reject the command with command aborted.

The SECURITY ERASE PREPARE command shall be completed immediately prior to the SECURITY ERASE UNIT command.

**26. SECURITY FREEZE LOCK (code: F5h);**

This command shall set the device to frozen mode. After command completion any other commands that update the device Lock mode shall be command aborted. Frozen shall be disabled by power-off or hardware reset.

If SECURITY FREEZE LOCK is issued when the drive is in frozen mode, the drive executes the command and remains in frozen mode.

**27. SECURITY SET PASSWORD (code: F1h);**

This command transfer 512 bytes of data from the host. Table defines the content of this information. The data transferred controls the function of this command. Table defines the interaction of the identifier and security level bits.

**28. SECURITY UNLOCK (code: F2h);**

This command transfer 512 bytes of data from the host. Table (as Disable Password) defines the content of this information.

If the Identifier bit is set to Master and the device is in high security level, then the password supplied shall be compared with the stored Master password. If the device is in maximum security level then the unlock shall be rejected.

If the identifier bit is set to user then the device shall compare the supplied password with the stored User password.

If the password compare fails then the device shall return command aborted to the host and decrements the unlock counter. This counter shall be initially set to five and shall be decremented for each password mismatch when SECURITY UNLOCK is issued and the device is locked. When this counter reaches zero then SECURITY UNLOCK and SECURITY ERASE UNIT command shall be aborted until a power-on or a hardware reset.

**29. SEEK (code: 7Xh);**

This command performs address range check.

**30. SET MAX ADDRESS (code: F9h);**

After successful command completion, all read and write access attempts to address greater than specified by the successful SET MAX ADDRESS command shall be rejected with an IDNF error.

IDENTIFY DEVICE response words (61:60) shall reflect the maximum address set with this command.

**31. SET MAX ADDRESS EXT (code: 37h);**

After successful command completion, all read and write access attempts to address greater than specified by the successful SET MAX ADDRESS command shall be rejected with an IDNF error.

IDENTIFY DEVICE response words (61:60) shall reflect the maximum address set with this command.

**32. SET FEATURE (code: EFh);**

This command is used by the host to establish parameters that affect the execution of certain device features.

**33. SET MULTIPLE MODE (code: C6h);**

This command enables the device to perform READ and Write Multiple operations and establishes the block count for these commands.

**34. SLEEP (code: 99h or E6h);**

This command causes the module to set BSY, enter the Sleep mode, clear BSY and generate an interrupt.

**35. SMART READ DATA (code: B0h with Feature register value of D0h);**

This command returns the Device SMART data structure to the host.

**36. SMART ENABLE/DISABLE AUTO SAVE (code: B0h with Feature register value of D2h);**

This command enables and disables the optional attribute autosave feature of the device.

**37. SMART EXECUTE OFF\_LINE (code: B0h with Feature register value of D4h);**

This command cause the device to immediately initiate the optional set of activities that collect SMART data in an off-line mode and then save this data to the device's non-volatile memory, or execute a self-diagnostic test routine in either captive or off-line mode.

**38. SMART READ LOG (code: B0h with Feature register value of D5h);**

This command returns the specified log data to the host.

**39. SMART ENABLE OPERATION (code: B0h with Feature register value of D8h);**

This command enables access to all SMART capabilities within the device. Prior to receipt of this command SMART data are neither monitored nor saved by the device.

**40. SMART DISABLE OPERATION (code: B0h with Feature register value of D9h);**

This command disables all SMART capabilities within the device including any and all timer and event count functions related exclusively to this feature. After command acceptance the device shall disable all SMART operations.

After receipt of this command by the device, all other SMART commands including SMART DISABLE OPERATION commands, with exception of SMART ENABLE OPERATIONS, are disabled and invalid and shall be command aborted by the device.

**41. SMART RETURN STATUS (code: B0h with Feature register value of DAh);**

This command cause the device to communicate the reliability status of the device to the host.

**42. STANDBY (code: E2h);**

This command causes the module to set BSY, enter the Standby mode, clear BSY and return the interrupt immediately.

**43. STANDBY IMMEDIATE (code: E0h);**

This command causes the module to set BSY, enter the Standby mode, clear BSY and return the interrupt immediately.

**44. WRITE BUFFER (code: E8h);**

This command enables the host to overwrite contents of the module's sector buffer with any data pattern desired.

**45. WRITR DMA (code: CAh or CBh);**

This command writes from “1” to “256” sectors as specified in the Sector Count register using the DMA data transfer protocol. A sector count of “0” requests “256” sectors transfer. The transfer begins at the sector specified in the Sector Number register.

**46. WRITR DMA EXT (code: 35h);**

This command writes from “1” to “65536” sectors as specified in the Sector Count register using the DMA data transfer protocol. A sector count of “0” requests “65536” sectors transfer. The transfer begins at the sector specified in the Sector Number register.

**47. WRITE MULTIPLE (code: C5h);**

This command is similar to the WRITE SECTORS command. Interrupts are not presented on each sector, but on the transfer of a block which contains the number of sectors defined by Set Multiple command.

**48. WRITE MULTIPLE EXT (code: 39h);**

This command is similar to the WRITE SECTORS command. Interrupts are not presented on each sector, but on the transfer of a block which contains the number of sectors defined by Set Multiple command.

**49. WRITE SECTOR(S) (code: 30h);**

This command writes from “1” to “256” sectors as specified in the Sector Count register. A sector count of “0” requests “256” sectors transfer. The transfer begins at the sector specified in the Sector Number register.

**50. WRITE SECTOR(S) EXT (code: 34h);**

This command writes from “1” to “65536” sectors as specified in the Sector Count register. A sector count of “0” requests “65536” sectors transfer. The transfer begins at the sector specified in the Sector Number register.

**51. WRITE SECTOR(S) W/O ERASE (code: 38h);**

This command writes from “1” to “256” sectors as specified in the Sector Count register. A sector count of “0” requests “256” sectors transfer. The transfer begins at the sector specified in the Sector Number register.

**52. WRITE VERIFY (code: 3Ch);**

This command is similar to the WRITE SECTOR(S) command, except that each sector is verified before the command is completed.

## 8. System Power Consumption

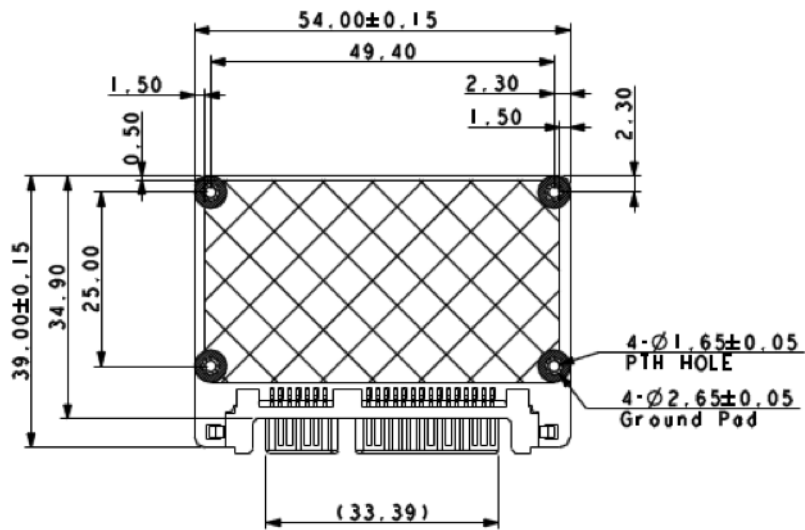
### 8.1 Supply Voltage

Parameter	Rating
Operating Voltage	5V

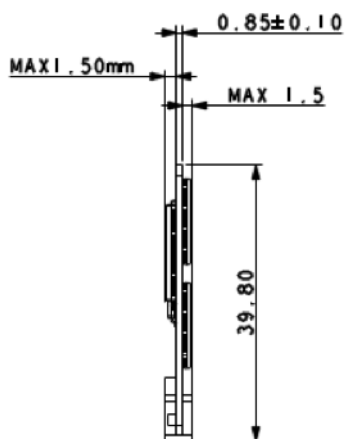
### 8.2 Power Consumption

mA		Read	Write	Idle	Slumber
SLC	1 GB	112.00	120.00	56.00	6.00
	2 GB	130.00	138.00	56.00	6.00
	4 GB	130.00	160.00	56.00	6.00
	8 GB	190.00	200.00	56.00	6.00
	16 GB	196.00	186.00	56.00	6.00
	32 GB	240.00	260.00	56.00	6.00
	64 GB	292.00	296.00	56.00	6.00
Ultra MLC	2 GB	196.00	176.00	56.00	6.00
	4 GB	228.40	177.00	56.00	6.00
	8 GB	218.00	182.00	60.00	10.00
	16 GB	306.00	262.00	64.00	13.00
	32 GB	340.00	284.00	65.00	14.00
	64 GB	350.00	283.00	64.00	14.00
	128 GB	392.00	344.00	56.00	15.00
MLC	4 GB	192.00	176.00	56.00	6.00
	8 GB	231.00	177.00	57.00	6.00
	16 GB	199.00	186.00	56.00	6.00
	32 GB	218.00	206.00	53.00	5.80
	64 GB	293.00	296.00	55.00	5.60
	128 GB	352.00	282.00	57.00	5.80
	256 GB	392.00	346.00	57.00	6.90

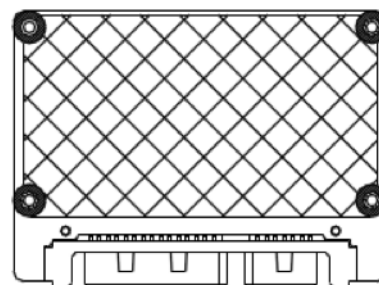
**9. Physical Dimension**  
SATA Slim (Unit: mm)



(Top View)



(Side View)



(Bottom View)

**Appendix: Part Number Table**

SLC

Product	Advantech PN
SQF S-SLIM 630 1G SLC (0~70°C)	SQF-SLMS1-1G-S9C
SQF S-SLIM 630 2G SLC (0~70°C)	SQF-SLMS2-2G-S9C
SQF S-SLIM 630 4G SLC (0~70°C)	SQF-SLMS4-4G-S9C
SQF S-SLIM 630 8G SLC (0~70°C)	SQF-SLMS2-8G-S9C
SQF S-SLIM 630 16G SLC (0~70°C)	SQF-SLMS4-16G-S9C
SQF S-SLIM 630 32G SLC (0~70°C)	SQF-SLMS4-32G-S9C
SQF S-SLIM 630 64G SLC (0~70°C)	SQF-SLMS4-64G-S9C
SQF S-SLIM 630 1G SLC (-40~85°C)	SQF-SLMS1-1G-S9E
SQF S-SLIM 630 2G SLC (-40~85°C)	SQF-SLMS2-2G-S9E
SQF S-SLIM 630 4G SLC (-40~85°C)	SQF-SLMS4-4G-S9E
SQF S-SLIM 630 8G SLC (-40~85°C)	SQF-SLMS2-8G-S9E
SQF S-SLIM 630 16G SLC (-40~85°C)	SQF-SLMS4-16G-S9E
SQF S-SLIM 630 32G SLC (-40~85°C)	SQF-SLMS4-32G-S9E
SQF S-SLIM 630 64G SLC (-40~85°C)	SQF-SLMS4-64G-S9E

Ultra MLC

Product	Advantech PN
SQF S-SLIM 630 2G UMLC (0~70°C)	SQF-SLMU1-2G-S9C
SQF S-SLIM 630 4G UMLC (0~70°C)	SQF-SLMU2-4G-S9C
SQF S-SLIM 630 8G UMLC (0~70°C)	SQF-SLMU4-8G-S9C
SQF S-SLIM 630 16G UMLC (0~70°C)	SQF-SLMU4-16G-S9C
SQF S-SLIM 630 32G UMLC (0~70°C)	SQF-SLMU4-32G-S9C
SQF S-SLIM 630 64G UMLC (0~70°C)	SQF-SLMU4-64G-S9C
SQF S-SLIM 630 128G UMLC (0~70°C)	SQF-SLMU4-128G-S9C
SQF S-SLIM 630 2G UMLC (-40~85°C)	SQF-SLMU1-2G-S9E
SQF S-SLIM 630 4G UMLC (-40~85°C)	SQF-SLMU2-4G-S9E
SQF S-SLIM 630 8G UMLC (-40~85°C)	SQF-SLMU4-8G-S9E
SQF S-SLIM 630 16G UMLC (-40~85°C)	SQF-SLMU4-16G-S9E
SQF S-SLIM 630 32G UMLC (-40~85°C)	SQF-SLMU4-32G-S9E
SQF S-SLIM 630 64G UMLC (-40~85°C)	SQF-SLMU4-64G-S9E
SQF S-SLIM 630 128G UMLC (-40~85°C)	SQF-SLMU4-128G-S9E

MLC

Product	Advantech PN
SQF S-SLIM 630 4G MLC (0~70°C)	SQF-SLMM1-4G-S9C
SQF S-SLIM 630 8G MLC (0~70°C)	SQF-SLMM2-8G-S9C
SQF S-SLIM 630 16G MLC (0~70°C)	SQF-SLMM4-16G-S9C
SQF S-SLIM 630 32G MLC (0~70°C)	SQF-SLMM4-32G-S9C
SQF S-SLIM 630 64G MLC (0~70°C)	SQF-SLMM4-64G-S9C
SQF S-SLIM 630 128G MLC (0~70°C)	SQF-SLMM4-128G-S9C
SQF S-SLIM 630 256G MLC (0~70°C)	SQF-SLMM4-256G-S9C
SQF S-SLIM 630 4G MLC (-40~85°C)	SQF-SLMM1-4G-S9E
SQF S-SLIM 630 8G MLC (-40~85°C)	SQF-SLMM2-8G-S9E
SQF S-SLIM 630 16G MLC (-40~85°C)	SQF-SLMM4-16G-S9E
SQF S-SLIM 630 32G MLC (-40~85°C)	SQF-SLMM4-32G-S9E
SQF S-SLIM 630 64G MLC (-40~85°C)	SQF-SLMM4-64G-S9E
SQF S-SLIM 630 128G MLC (-40~85°C)	SQF-SLMM4-128G-S9E
SQF S-SLIM 630 256G MLC (-40~85°C)	SQF-SLMM4-256G-S9E