

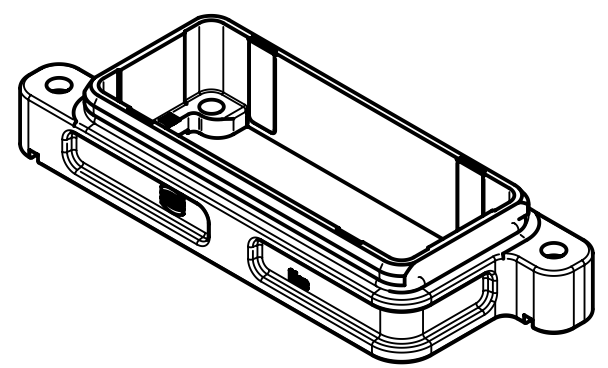
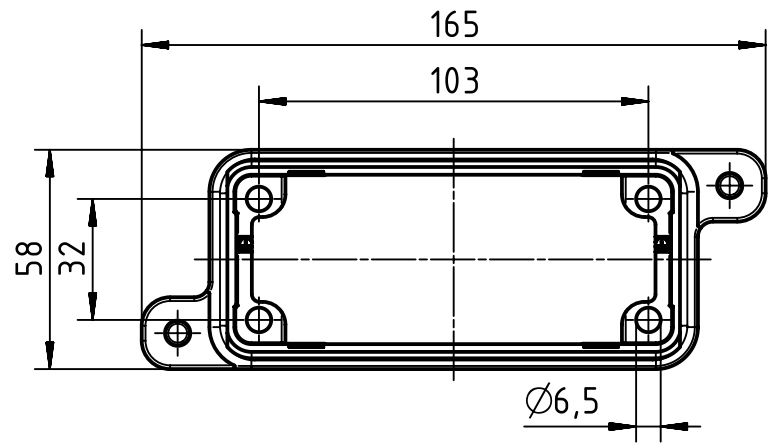
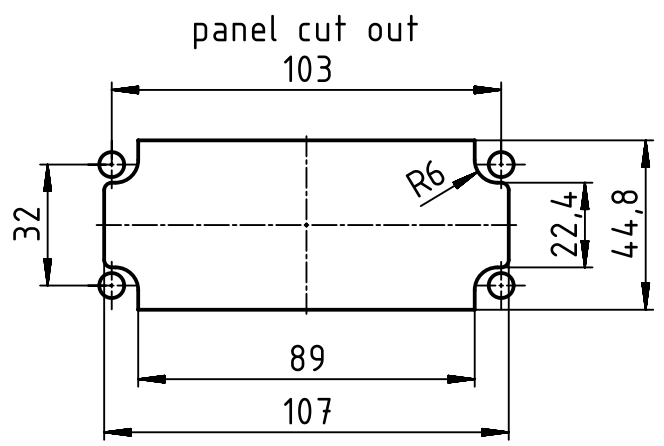
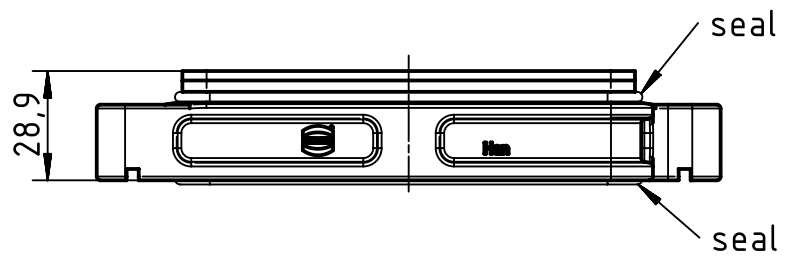
1 2 3 4 5 6


A

B

C

D



	All Dimensions in mm Original Size DIN A4		Scale 1:2	Free size tol.		Ref.	
	All rights reserved Department EL PD - DE		Created by PENNER	Inspected by BERGHORN	Standardisation SCHMIDTM	Sub.	
HARTING Electric GmbH & Co. KG D-32339 Espelkamp		Title Han 16 HPR-enlarged Base Panel				Date 2014-04-15	State Final Release
		Type TB	Number 09 40 016 0368			Doc-Key / ECM-Nr. 100209321/UGD/004/A 500000073854	Rev. A Page 1/1