

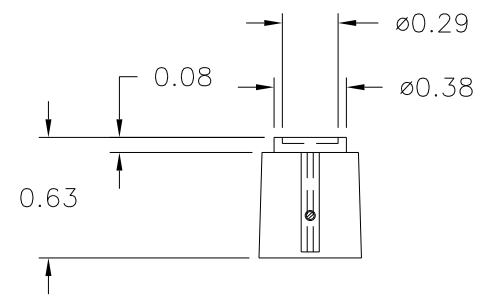
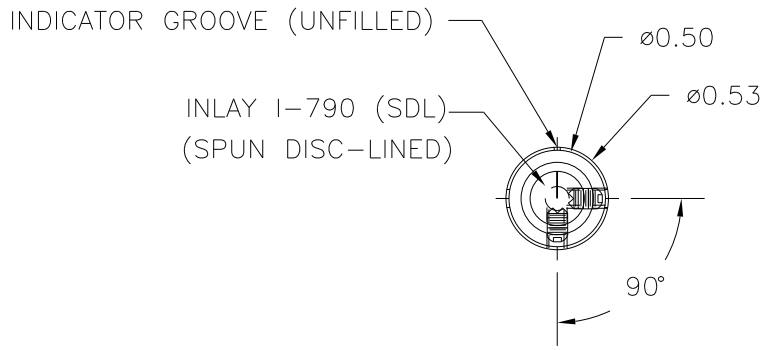
PART NAME: KNOB SCALE: 1:1 DATE: 4/6/94 DR. BY HD

DAVIES MOLDING COMPANY
CAROL STREAM, ILLINOIS 60188

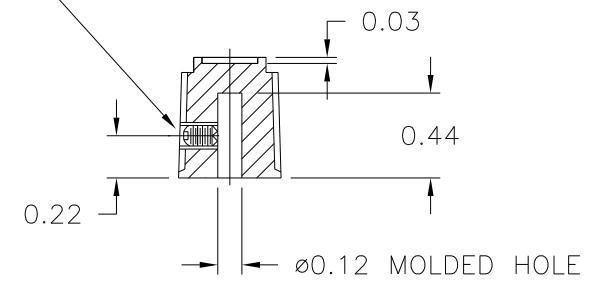
| | |
|------------|------------|
| P/N 1200BM | |
| BASE PART | 1200-02 |
| SET SCREW | I-0095 |
| INLAY | I-790(SDL) |

THIS DRAWING IS THE PROPERTY OF DAVIES MOLDING COMPANY, IS SUBMITTED SOLELY AS A DESIGN OR ENGINEERING PROJECT. WE ACCEPT NO RESPONSIBILITY WHATSOEVER FOR THE PRACTICAL APPLICATION OF THE PIECES MADE TO THIS DESIGN.

CLANCEY COMPANY



USE # 36 DR. (.106 DIA.); # 6-32 TAP.
6-32 THD'D. X 3/16 LG., SLOTTED TYPE, CUP POINTED, SET SCREW I-95, TWO (2) REQUIRED AS SHOWN.



MATERIAL: G.P. PHENOLIC (B11)
COLOR: BLACK

| | | | | |
|---|-----------------------------------|---------|-------------|-------------|
| TOLERANCES: UNLESS OTHERWISE SPECIFIED | DO NOT SCALE DRAWING | | | |
| DECIMALS: X.XXX ± .005 X.XX ± .015 | MM: X.XX ± 0.15MM X.X ± 0.4MM | - | HAD TOOLBOX | JAM 3/27/00 |
| FRACTIONS ± 1/64 | ANG. ± 1° | CHANGES | | |