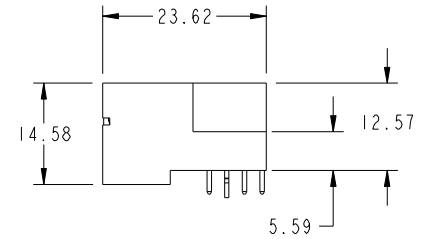
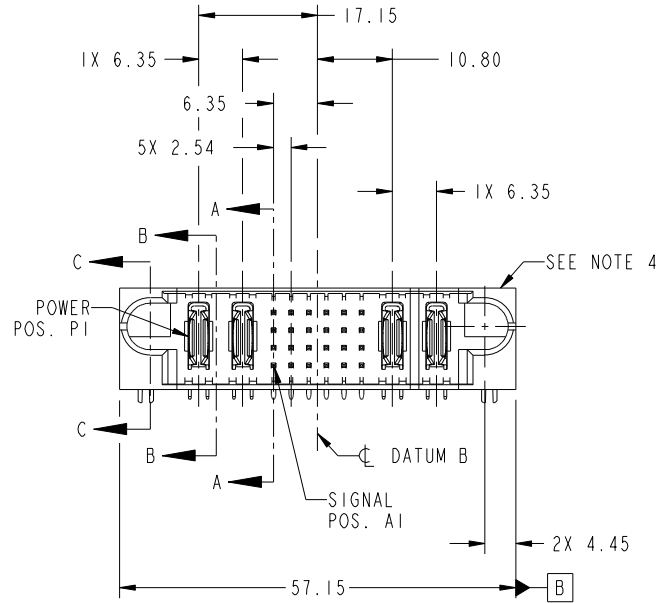


Tous droits strictement reserves. Reproduction ou communication a des tiers interdite sous quelque forme que ce soit sans autorisation écrite du propriétaire. Propriete de c FCI. Droits de reproduction FCI.

All rights strictly reserved. Reproduction or issue to third parties in any form whatever is not permitted without written authority from the proprietor. Property of FCI. Copyright FCI.



PRODUCT NO.	ROWS	POWER		SIGNAL						POWER			
		E1	P1	P2	1	2	3	4	5	6	P3	P4	E2
51730-216... NOTE 3	D C B A												



CODE	DIM "M" MATING LENGTH	CONTACT TYPE
U	[6.86]	SIGNAL
T	[6.86]	SIGNAL
S	[6.86]	SIGNAL
R	[6.86]	SIGNAL
PA	[N/A]	POWER
HA	[N/A]	HOLD-DOWN
G	[5.59]	SIGNAL
F	[5.59]	SIGNAL

mat'l code				SEE NOTE		tolerances unless otherwise specified		CUSTOMER		 www.fciconnect.com	
ltr	ecn no.	dr	date	linear	0.X ± 0.5	projection		COPY		title	
A	DG09-0317	WD	10/12/09	angles	0.XX ± 0.25			2P		2P + 24S + 2P	
				dr	0.XXX ± 0.1			product family		PwrBlade	
				enr	0° ± 2°	scale		size		code	
				chr	Warren Du 10/06/09	1:1		dwg no		213	
				appd	Warren Du 10/06/09			A		51730-216	
					PM ZHENG 10/06/09					sheet	
					JOSEPH HSIA 10/06/09					1 of 4	
sheet index	revision sheet	A	A	A	A						
		1	2	3	4						

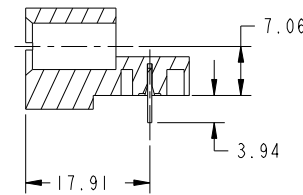
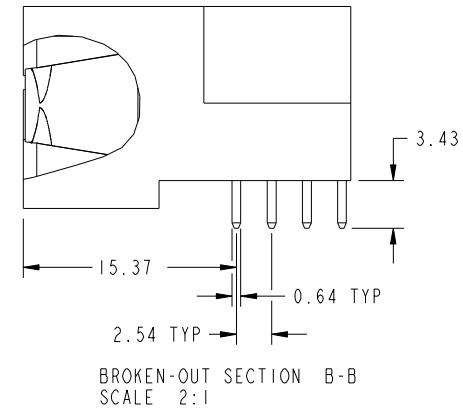
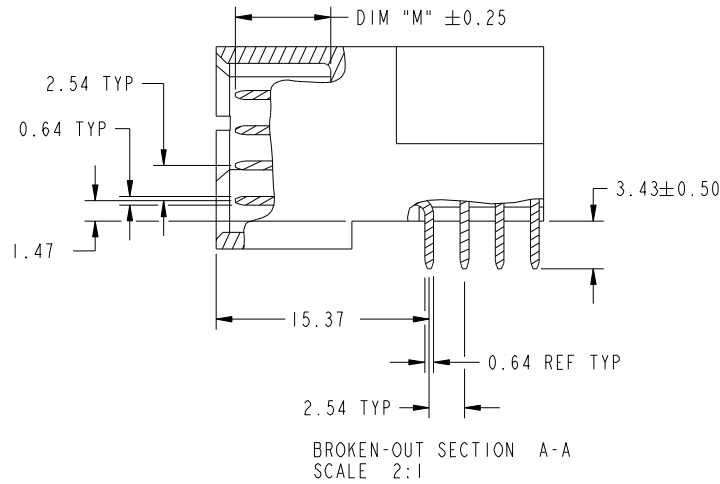
cage code 22526

Tous droits strictement reserves. Reproduction ou communication a des tiers interdite sous quelque forme que ce soit sans autorisation écrite du propriétaire. Propriete de c FCI. Droits de reproduction FCI.

All rights strictly reserved. Reproduction or issue to third parties in any form whatever is not permitted without written authority from the proprietor. Property of FCI. Copyright FCI.



PRODUCT NUMBER
51730-216--
NOTE: 3



mat'l code				SEE NOTE		tolerances unless otherwise specified		CUSTOMER		FCI	
ltr	ecn no.	dr	date	linear	0.X ±0.5	COPY		www.fciconnect.com		title	
A				linear	0.XX ±0.25	projection		2P + 24S + 2P		RIGHT ANGLE SOLDER HEADER	
				angles	0.XXX ±0.1	MIM		product family		PwrBlade	
				dr	Warren Du 10/06/09	scale		size		code	
				enr	Warren Du 10/06/09	1:1		dwg no		213	
				chr	PM ZHENG 10/06/09			A		sheet	
				appd	JOSEPH HSIA 10/06/09			51730-216		2 of 4	
sheet index		revision sheet									

cage code 22526

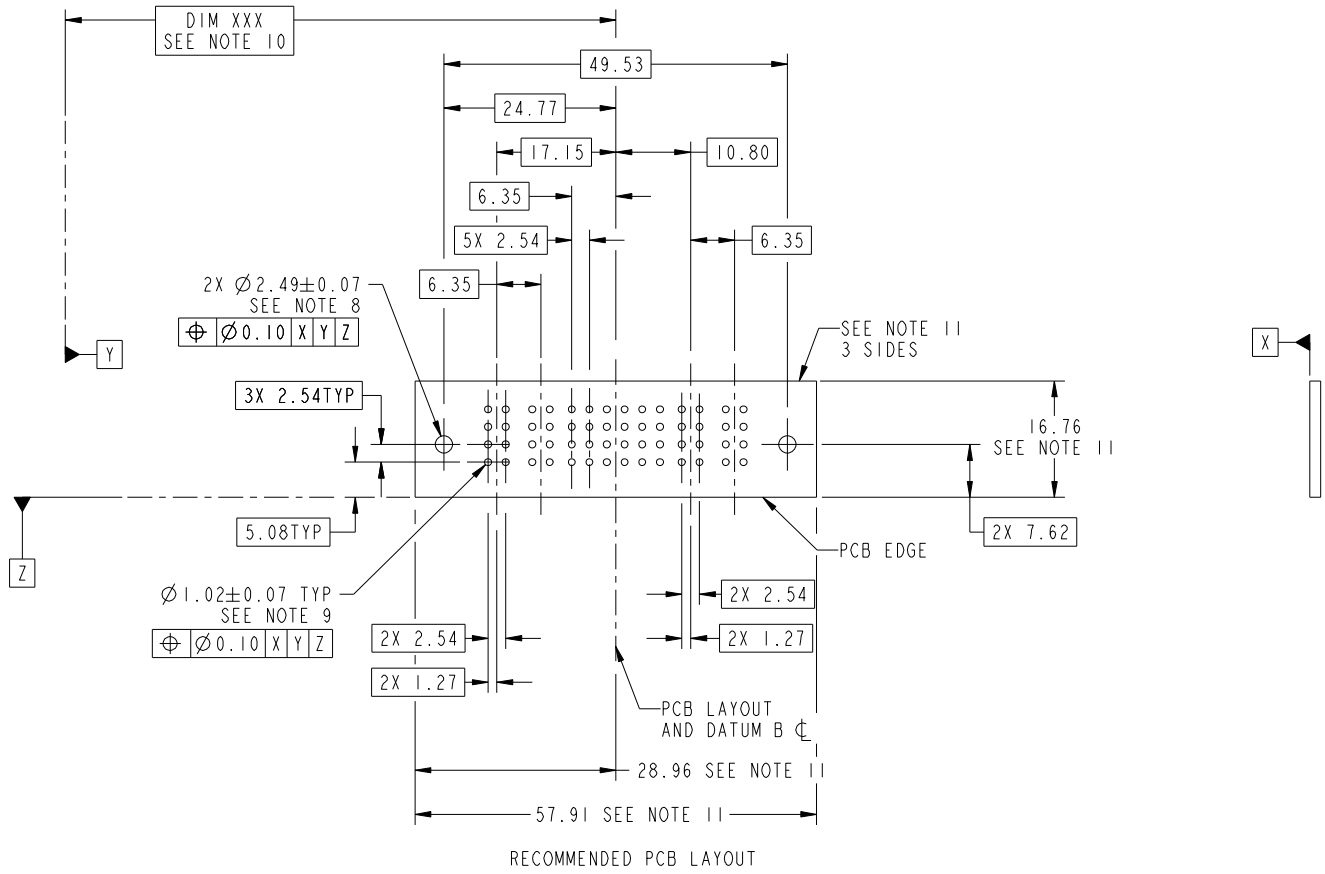
Pro/E

Tous droits strictement reserves. Reproduction ou communication a des tiers interdite sous quelque forme que ce soit sans autorisation écrite du propriétaire. Propriete de c FCI. Droits de reproduction FCI.



All rights strictly reserved. Reproduction or issue to third parties in any form whatever is not permitted without written authority from the proprietor. Property of FCI. Copyright FCI.

PRODUCT NUMBER
51730-216--
NOTE: 3



mat'l code		SEE NOTE		tolerances unless otherwise specified		CUSTOMER		FCI	
ltr	ecn no.	dr	date	linear	0.X ±0.5	COPY		www.fciconnect.com	
A					0.XX ±0.25	projection		title	
				angles	0.XXX ±0.1			2P + 24S + 2P RIGHT ANGLE SOLDER HEADER	
				dr	0° ±2°			product family PwrBlade code	
				enr	Warren Du 10/06/09	scale		size	
				chr	Warren Du 10/06/09	1:1		dwg no	
				appd	PM ZHENG 10/06/09			213	
					JOSEPH HSIA 10/06/09			sheet	
sheet index		revision sheet						3 of 4	
								3 of 4	

cage code 22526

Pro/E

Tous droits strictement reserves. Reproduction ou communication a des tiers interdite sous quelque forme que ce soit sans autorisation écrite du propriétaire. Propriete de c FCI. Droits de reproduction FCI.



All rights strictly reserved. Reproduction or issue to third parties in any form whatever is not permitted without written authority from the proprietor. Property of FCI. Copyright FCI.

PRODUCT NUMBER
51730-216--
NOTE: 3

NOTES:

1. DIMENSIONS AND TOLERANCES ARE IN ACCORDANCE WITH ASME Y14.5M, 1994 UNLESS OTHERWISE SPECIFIED.

CONNECTOR NOTES:

- 2. HOUSING MATERIAL: UL 94 V-0 GLASS FILLED HIGH-TEMP THERMOPLASTIC
POWER CONTACT MATERIAL: COPPER ALLOY
SIGNAL PIN MATERIAL: COPPER ALLOY
- 3. SEE ITEM 1 & 2 IN PRINT 10064183 FOR PLATING SPEC OF 51730-216 AND 51730-216LF RESPECTIVELY.
- 4. MANUFACTURER'S NAME, DATE CODE AND OPTIONAL P/N TO APPEAR ON THIS SURFACE. THE P/N CAN BE OMITTED IF THERE IS NOT ENOUGH SPACE ON THIS SURFACE.
- 5. PRODUCT SPECIFICATION GS-12-149.
APPLICATION SPECIFICATION BUS-20-067.
- 6. PACKAGED IN TRAYS.

PCB NOTES:

- 7. ALL HOLE DIAMETERS ARE FINISHED HOLE SIZE.
- 8. MOUNTING HOLES, WHERE APPLICABLE, ARE UNPLATED.
- 9. $\varnothing 1.151 \pm 0.025$ DRILLED HOLES PLATED WITH
0.008 MIN SnPb OR Sn OVER 0.03
TO 0.08 Cu PLATING TO ACHIEVE
 $\varnothing 1.02 \pm .07$ HOLE.
- 10. "DIM XXX" TO BE DETERMINED BY THE CUSTOMER.
- 11. CONNECTOR KEEP-OUT ZONE.

mat'l code		SEE NOTE		tolerances unless otherwise specified		CUSTOMER		FCI		www.fciconnect.com	
ltr	ecn no.	dr	date	linear	0.X ± 0.5	COPY		projection	title		
A					0.XX ± 0.25	MIM			2P + 24S + 2P		
				angles	0.XXX ± 0.1	←			RIGHT ANGLE SOLDER HEADER		
				dr	Warren Du 10/06/09	MIM		product family		PwrBlade	code
				enrg	Warren Du 10/06/09	←		size	dwg no		213
				chr	PM ZHENG 10/06/09	scale		A	51730-216		sheet
				appd	JOSEPH HSIA 10/06/09	1:1				4 of 4	
sheet index	revision sheet										

cage code 22526

Pro/E