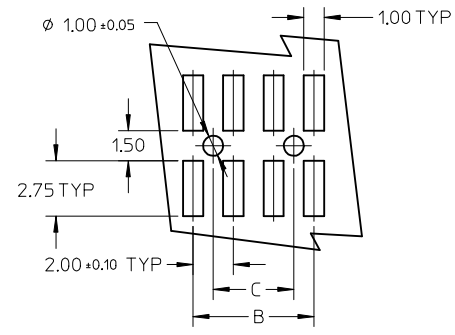
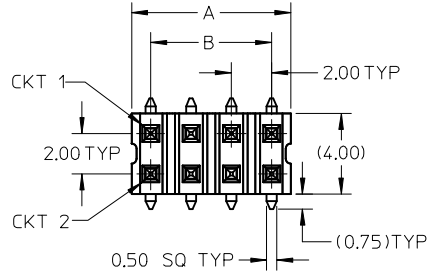
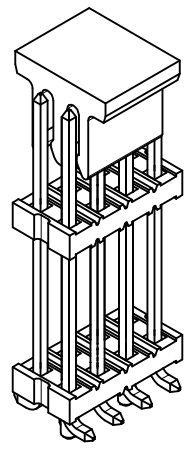
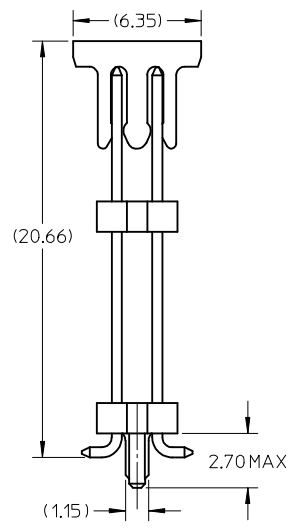
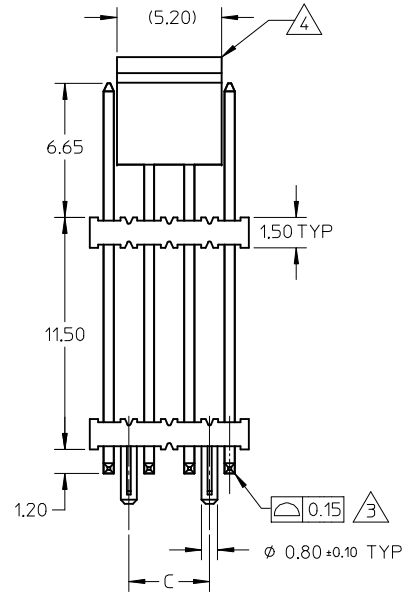


PART NUMBERS	CKT SIZE	PEG	VOID POSITION	DIMENSION			PACKAGING TYPE
				A	B	C	
87762-0024	12	YES	----	11.90	10.00	8.00	WITHOUT CAP IN TUBE
87762-0025	12	YES	----	11.90	10.00	8.00	WITH CAP IN TUBE
87762-0600	06	NO	----	5.90	4.00	-	WITHOUT CAP IN TRAY



RECOMMENDED PCB LAYOUT



NOTES:

- MATERIAL:
HOUSING: NYLON, GLASS-FILLED, UL94V-0,
COLOR: BLACK
PIN: COPPER ALLOY, SQ, 0.5mm
- PLATING FINISH:
15µm MIN GOLD PLATE IN SELECTED AREA AND
75µm MIN TIN ON SOLDER TAIL OVER
50µm MIN NICKEL UNDERPLATE OVERALL.
- COPLANARITY IS TO BE MEASURED BY RESTING THE SOLDER TAIL ON A GAUGE SURFACE
- CAP TO BE LOCATED AS CENTRAL OF PART AS POSSIBLE
- TUBE LENGTH : 560mm REF.
- THE ABOVE 8CKTS SHOWN IS FOR ILLUSTRATION ONLY.
- PACKAGING TYPE: PLS REFER TO TABLE
- PRODUCT SPEC PS-87761-100 APPLIES
- WAFER TO BE FLAT WITHIN 0.003mm/mm
- RECOMMENDED PCB THICKNESS IS 1.60mm
- PACKAGING SPECIFICATION:
TUBE: PK-151033-0001 (C1)
TRAY: PK-89990-487

REVISE TUBE PK EC NO: S2017-0404 DRWN:FC500 CHKD:CG0H APPR:KLLIM 2017/01/16 2017/02/03 2017/02/07	QUALITY SYMBOLS	GENERAL TOLERANCES (UNLESS SPECIFIED)	DIMENSION STYLE	SCALE	DESIGN UNITS	THIRD ANGLE PROJECTION
	$\nabla = 0$ $\square = 0$	mm INCH 4 PLACES ± --- ± --- 3 PLACES ± --- ± --- 2 PLACES ± 0.20 ± --- 1 PLACE ± --- ± --- ANGULAR ± 3 °	MM ONLY	NTS	METRIC	
	DESCRIPTION	DRAFT WHERE APPLICABLE MUST REMAIN WITHIN DIMENSIONS	DRAWN BY DATE	TITLE	SALES DRAWING	
	REV		KCHO 2004/08/16 PTLIM 2004/08/17 SCLOW 2004/08/18	CHECKED BY DATE APPROVED BY DATE MATERIAL NO.	MOLEX INCORPORATED DOCUMENT NO.	MGRID, 2MM PITCH, HEADER DUAL ROW, D/W W PEG, SMT SD-87762-058

SIZE A3 THIS DRAWING CONTAINS INFORMATION THAT IS PROPRIETARY TO MOLEX INCORPORATED AND SHOULD NOT BE USED WITHOUT WRITTEN PERMISSION