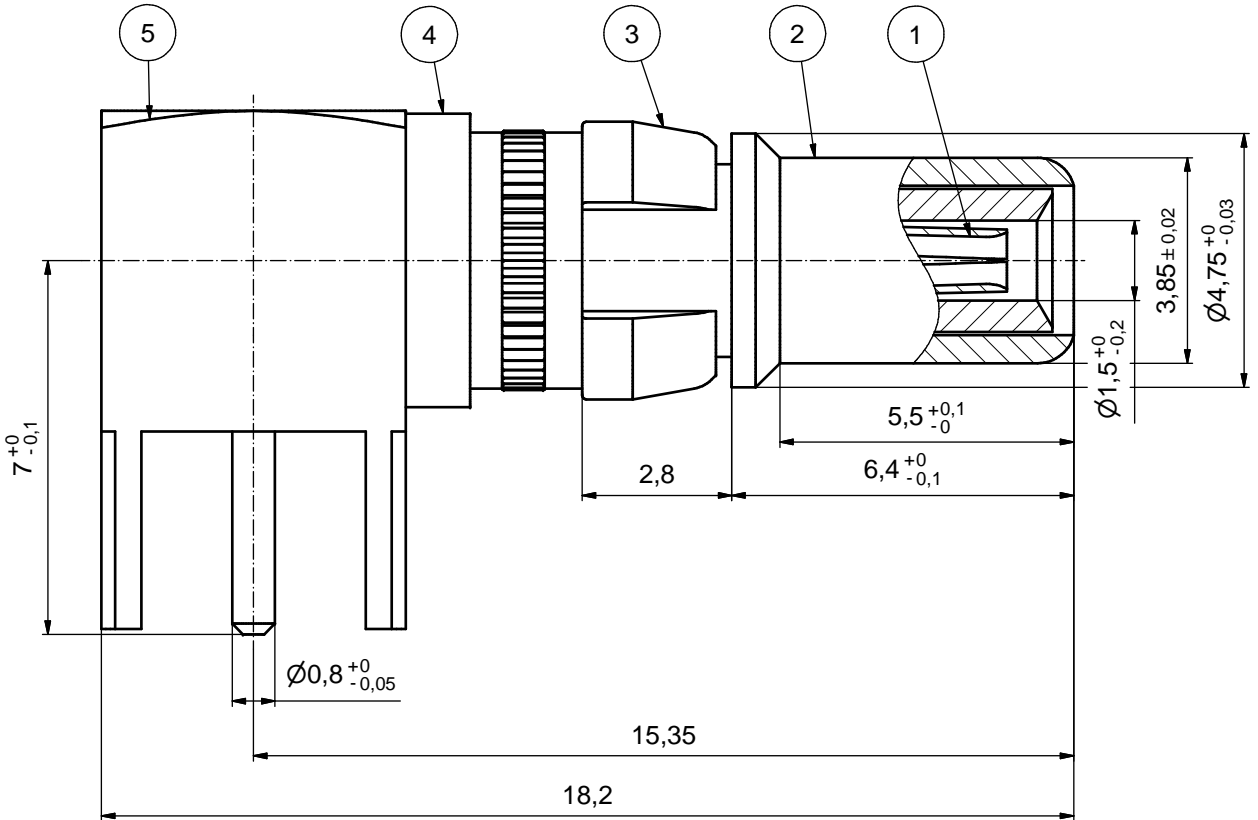
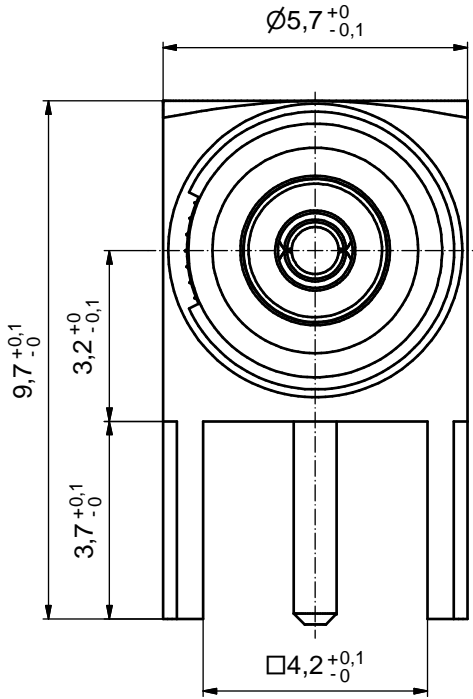
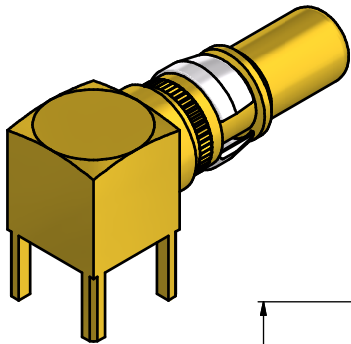
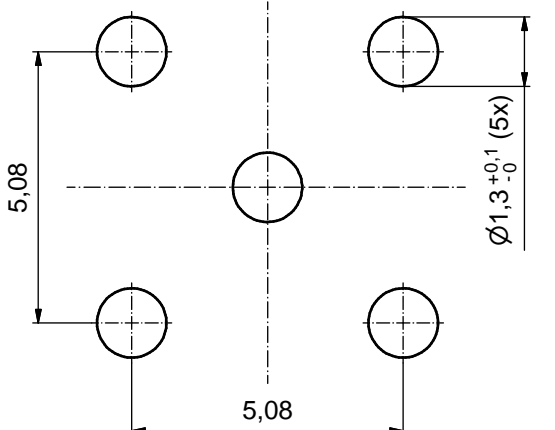


Part no.	Finish Pos. 1	Finish Pos. 2	Finish Pos. 3	Finish Pos. 4/5
131A25519X	GOLD FLASH over NICKEL	GOLD FLASH over NICKEL	NICKEL PLATED	GOLD FLASH over NICKEL
131J25519X	min. 50µin HARD GOLD over min. 50µin NICKEL	min. 30µin HARD GOLD over min. 50µin NICKEL	NICKEL PLATED	GOLD FLASH over NICKEL



P.C.B. HOLE DRILLINGS



RoHS compliant

THIS DRAWING MAY NOT BE COPIED OR REPRODUCED IN ANY WAY, AND MAY NOT BE PASSED ON TO A THIRD PARTY WITHOUT WRITTEN PERMISSION. OWNERSHIP AND COPYRIGHT OF CONEC GmbH DO NOT ALTER CAD DRAWING BY HAND		tolerance		dim. in mm	scale: 10:1
		date	name		material: COPPER ALLOY (Pos. 1 - 5)
		drawn 15.06.15	Lehmenkühler		title: COAXIAL CONTACT PLUG 50 Ohm Solder termination 90° with 5 pins for D-SUB COMBINATION
		appd. 15.06.15	Schmidt		
norm	dwg no:		DIN-A3		
d-old	13K2A4989		sh: 1		
a Original	part no: SEE TABLE				
rev. description	date	name			

