

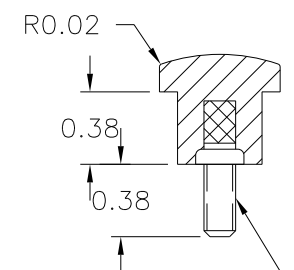
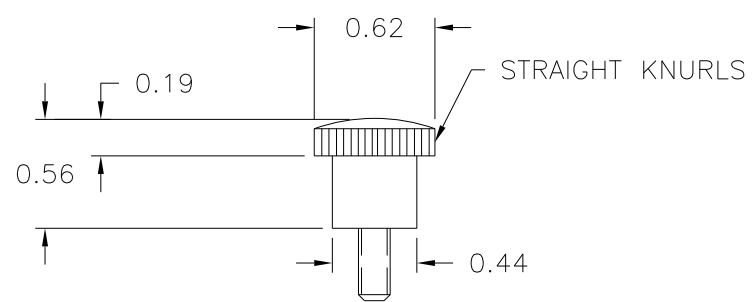
PART NAME: KNOB      SCALE: 1:1      DATE: 2/15/68      DR. BY MS

THIS DRAWING IS THE PROPERTY OF DAVIES MOLDING COMPANY, IS SUBMITTED SOLELY AS A DESIGN OR ENGINEERING PROJECT. WE ACCEPT NO RESPONSIBILITY WHATSOEVER FOR THE PRACTICAL APPLICATION OF THE PIECES MADE TO THIS DESIGN.



DESIGNERS & MANUFACTURERS OF KNOBS, HANDLES, CASES & CUSTOM PLASTIC COMPONENTS

P/N 2720-L	
M NO. 2720	
CAVITY	2720
PLUNGER	2720
PINS	2720-4
PIN PLT	2720-A
INSERT	I0168



#8-32 UNC-2A THREADED I0168, STEEL, ZINC PLATED

MATERIAL: G.P. PHENOLIC (B11)  
COLOR: BLACK

TOLERANCES: UNLESS OTHERWISE SPECIFIED	DO NOT SCALE DRAWING			
DECIMALS: X.XXX ± .005 X.XX ± .015	MM: X.XX ± 0.15MM X.X ± 0.4MM	-	CAD REDRAW	HD 6/4/93
FRACTIONS ± 1/64	ANG. ± 1°	CHANGES		