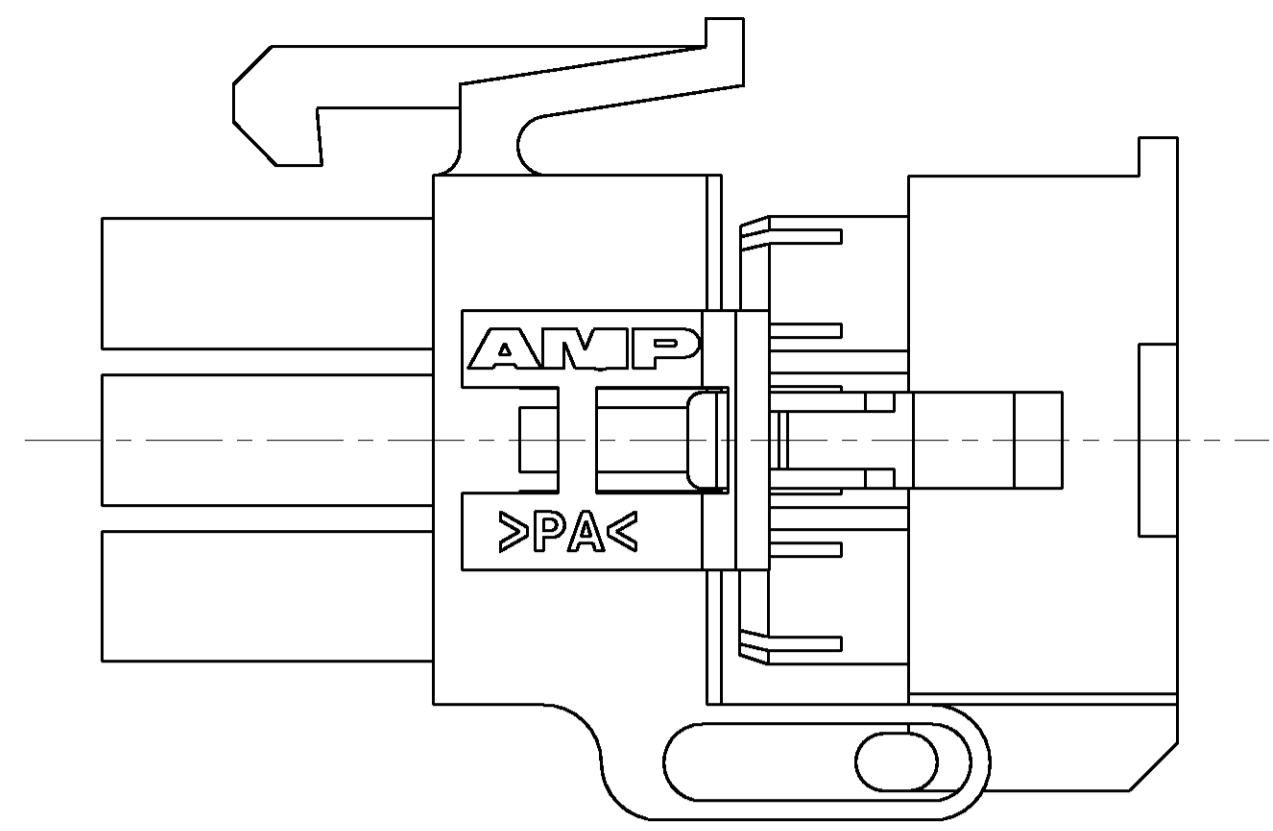
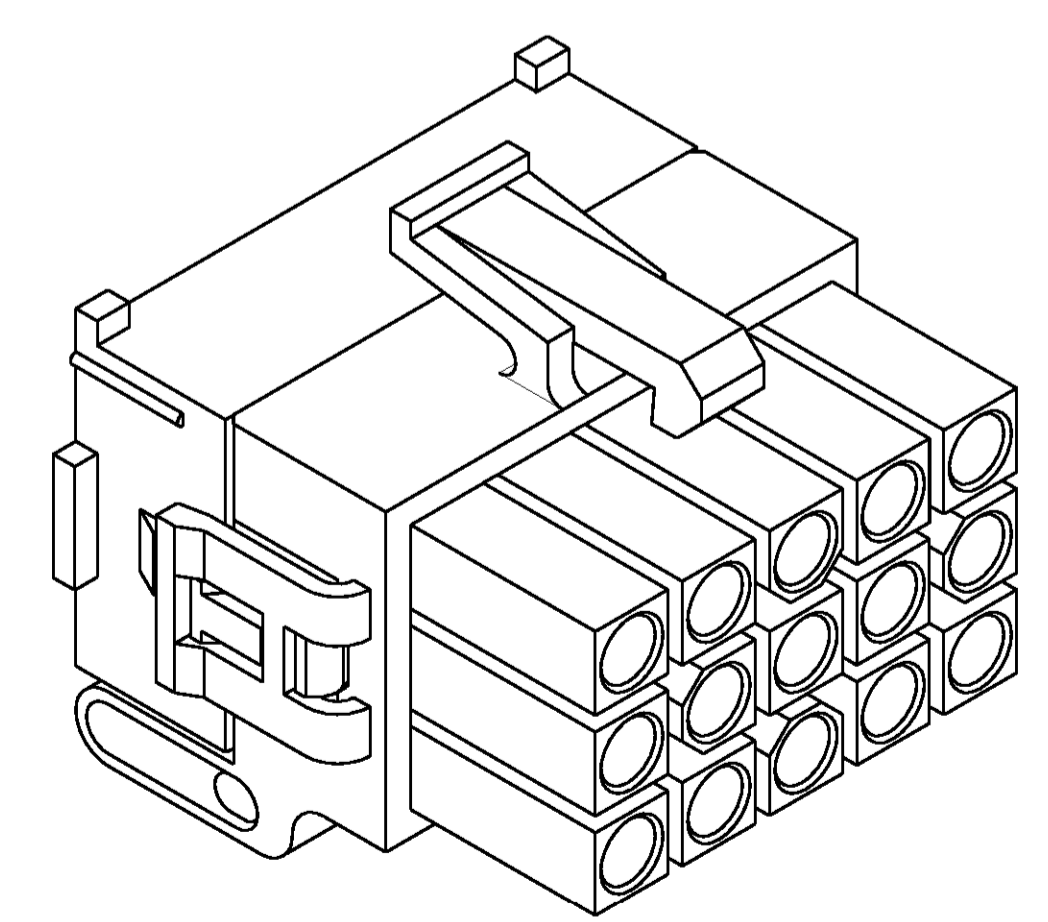
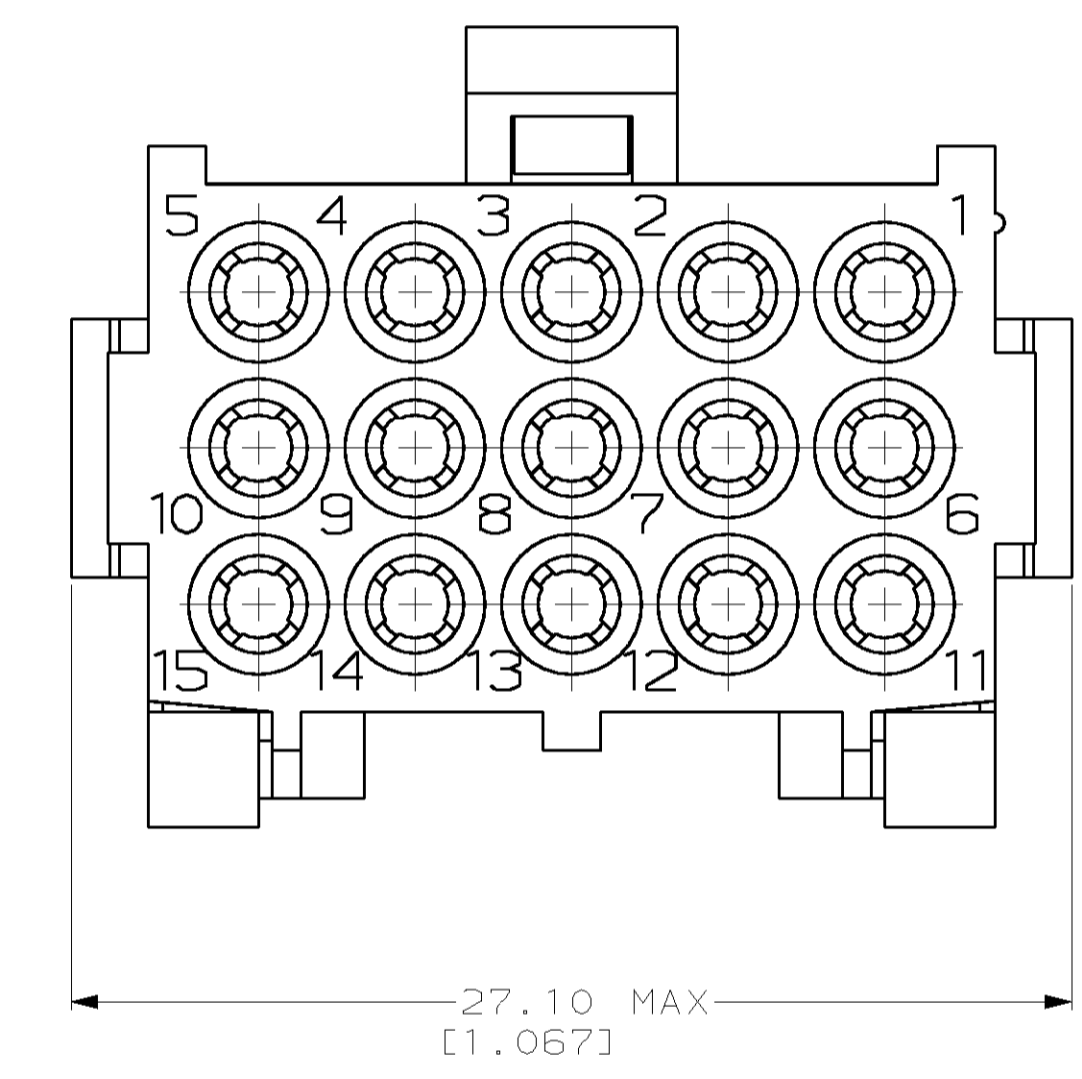
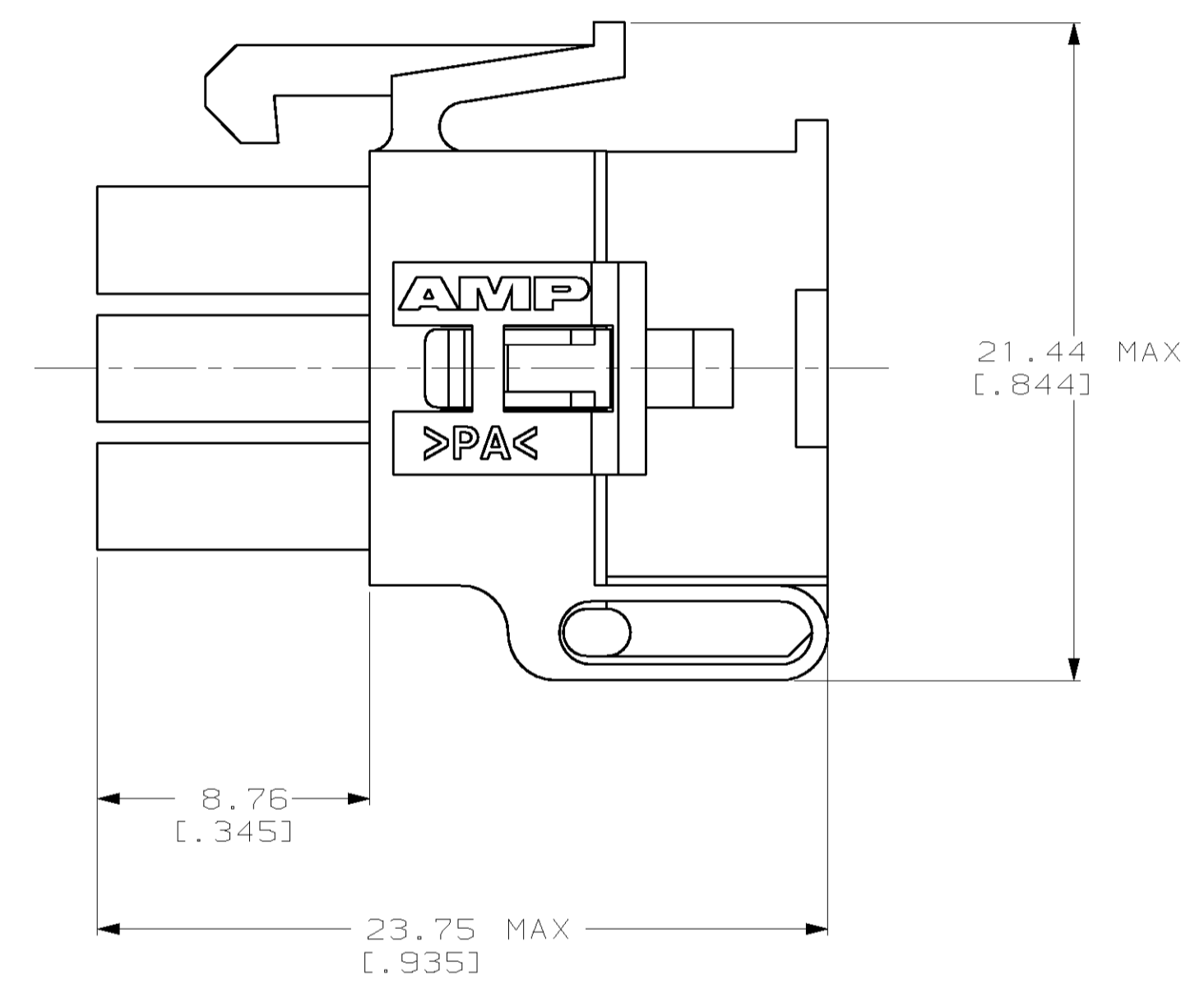
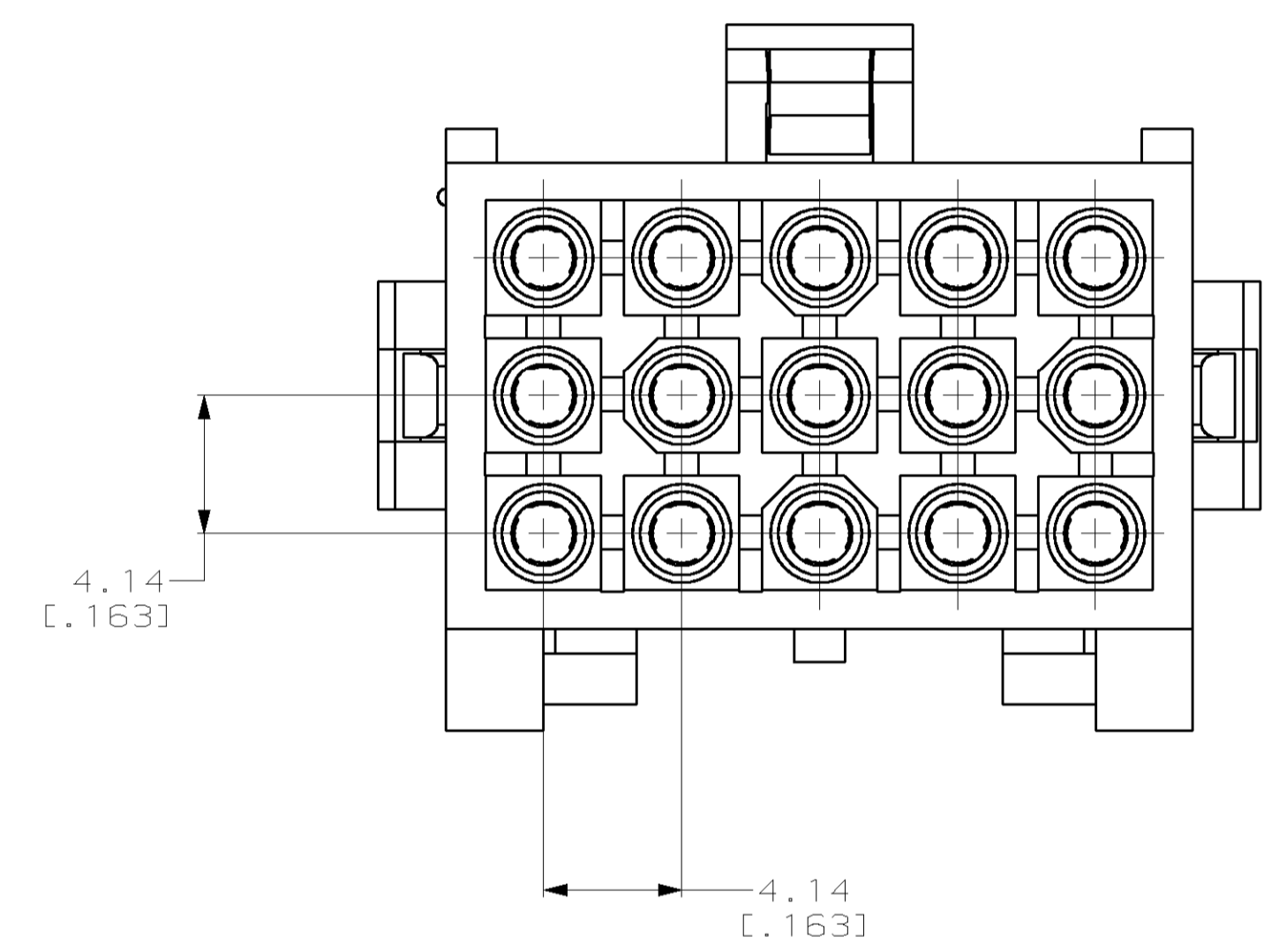


LOC		DIST		REVISIONS			
F	CHR	DATE	BY	CHK	APVD		
B		23-SEP-99	REV PER EC	061B-0094-99	KW	KC	



PRE-STAGED CONDITION

1. DIMENSIONS IN BRACKETS ARE IN INCHES.



3-DIMENSIONAL MODEL
NTS

794257-1
PART NUMBER

METRIC

THIS DRAWING IS A CONTROLLED DOCUMENT.		DWN K. WHITAKER	5-16-97	AMP AMP Incorporated Harrisburg, PA 17105-3608
DIMENSIONS:		CHK R. SWING	5-16-97	
TOLERANCES UNLESS OTHERWISE SPECIFIED:		APVD S. ORSTAD	5-16-97	NAME PLUG, 15 CIRCUIT, MINI UNIVERSAL MATE-N-LOK™ 2
mm	0 PLC ±	PRODUCT SPEC		APPLICATION SPEC
	1 PLC ±	APPLICATION SPEC		RESTRICTED TO
	2 PLC ±0.13 [0.005]	APPLICATION SPEC		SIZE CAGE CODE DRAWING NO
	3 PLC ±	APPLICATION SPEC		A1 00779 C-794257
	4 PLC ±	APPLICATION SPEC		WEIGHT
	ANGLES	APPLICATION SPEC		CUSTOMER DRAWING
MATERIAL NYLON, UL 94V-2, NATURAL	FINISH	SCALE 5:1		SHEET 1 OF 1