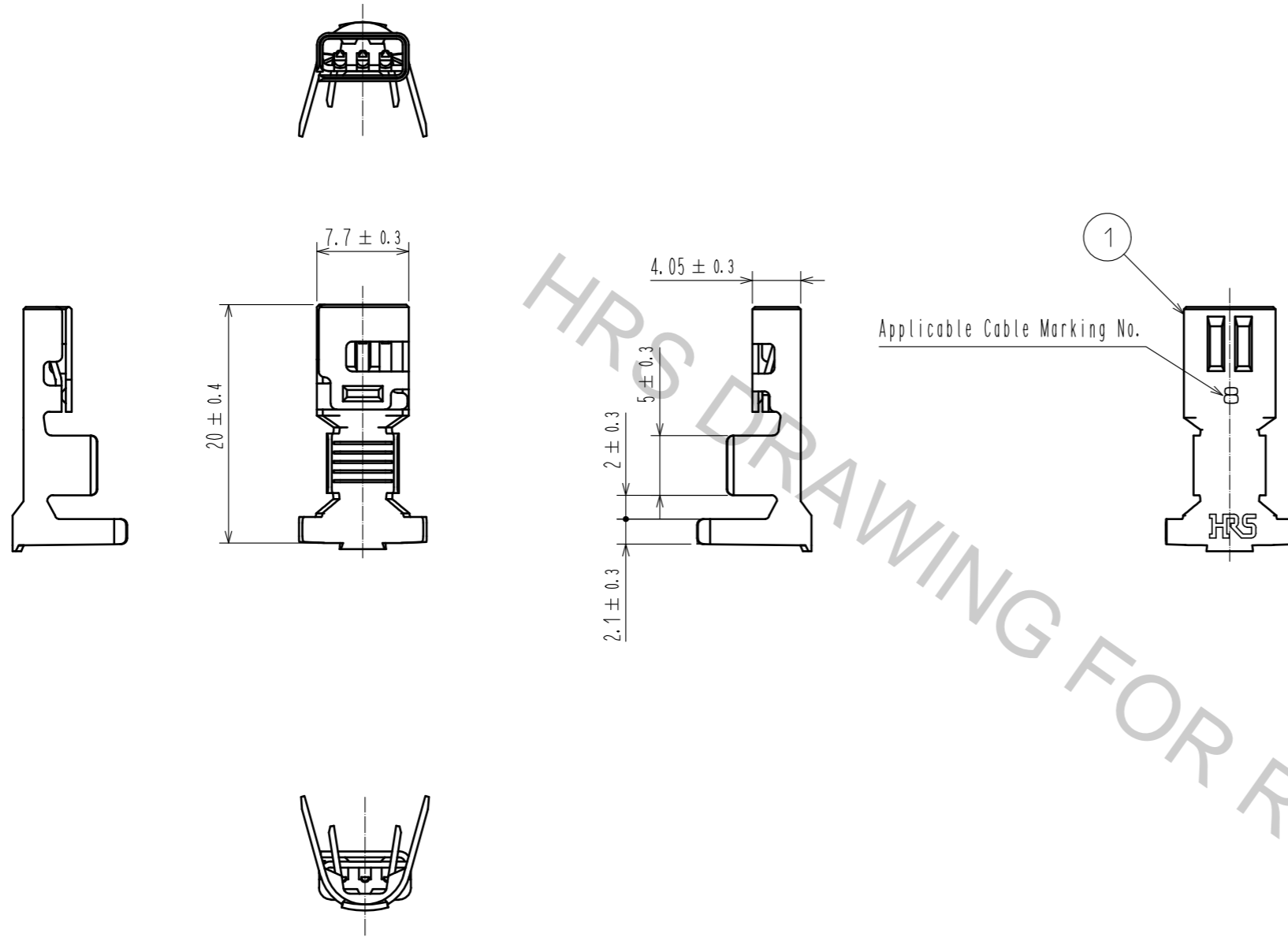


Oct.1.2018 Copyright 2018 HIROSE ELECTRIC CO., LTD. All Rights Reserved.
 In case that the application demands a high level of reliability, such as automotive,
 please contact a company representative for further information.



Notes 1. Per Pack : 100 Pieces.
 2. Please be sure to check the form of crimping using a cable. When you adjust Applicator.

		1		Copper alloy	Contact Area : Au Plating 0.2μm min Others : Ni Plating 1μm min				
NO.	MATERIAL	FINISH . REMARKS		NO.	MATERIAL	FINISH . REMARKS			
UNITS mm		SCALE 2 : 1		COUNT	DESCRIPTION OF REVISIONS		DESIGNED	CHECKED	DATE
HRS HIROSE ELECTRIC CO., LTD.		APPROVED : KI. AKIYAMA	15.06.11	DRAWING NO. EDC-342868-00-00					
		CHECKED : TS. FUKUSHIMA	15.06.10	PART NO. DF60-8SCA					
		DESIGNED : TS. KUMAZAWA	15.06.10	CODE NO. CL680-3021-4-00					
		DRAWN : MI. SAKIMURA	15.06.09						