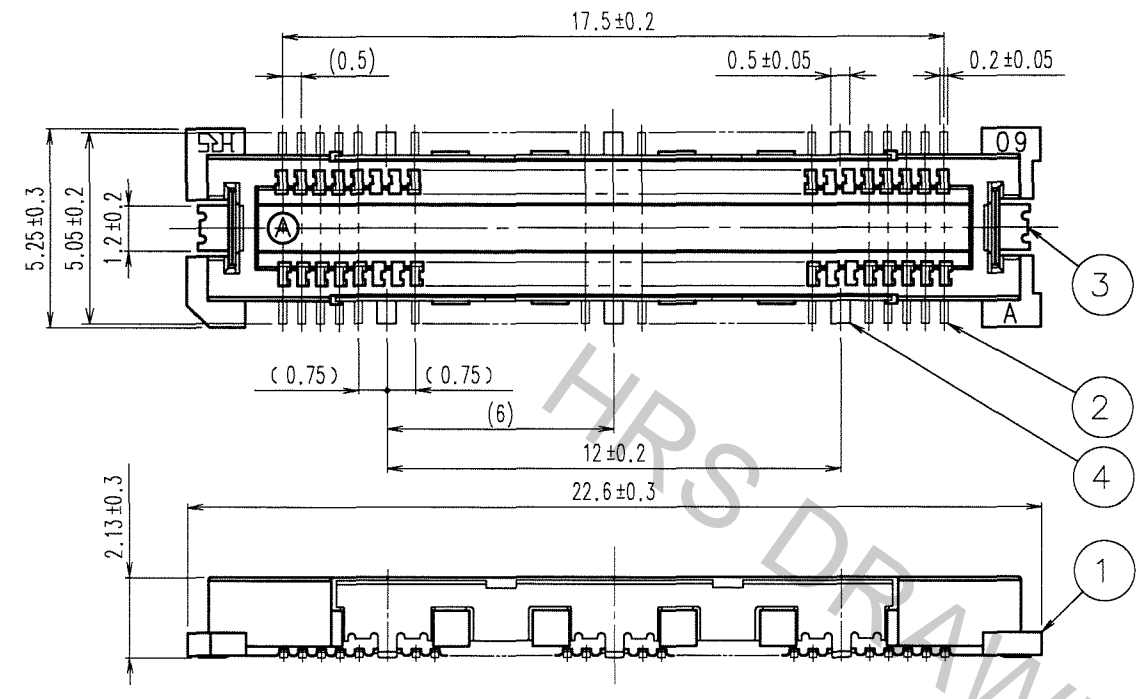
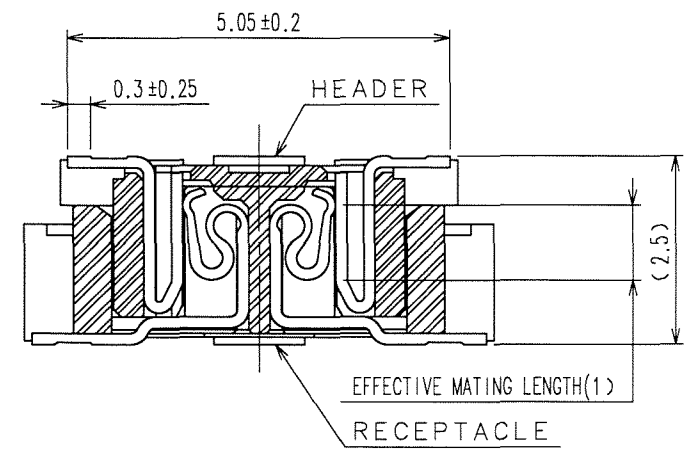


Apr.1.2017 Copyright 2017 HIROSE ELECTRIC CO., LTD. All Rights Reserved.

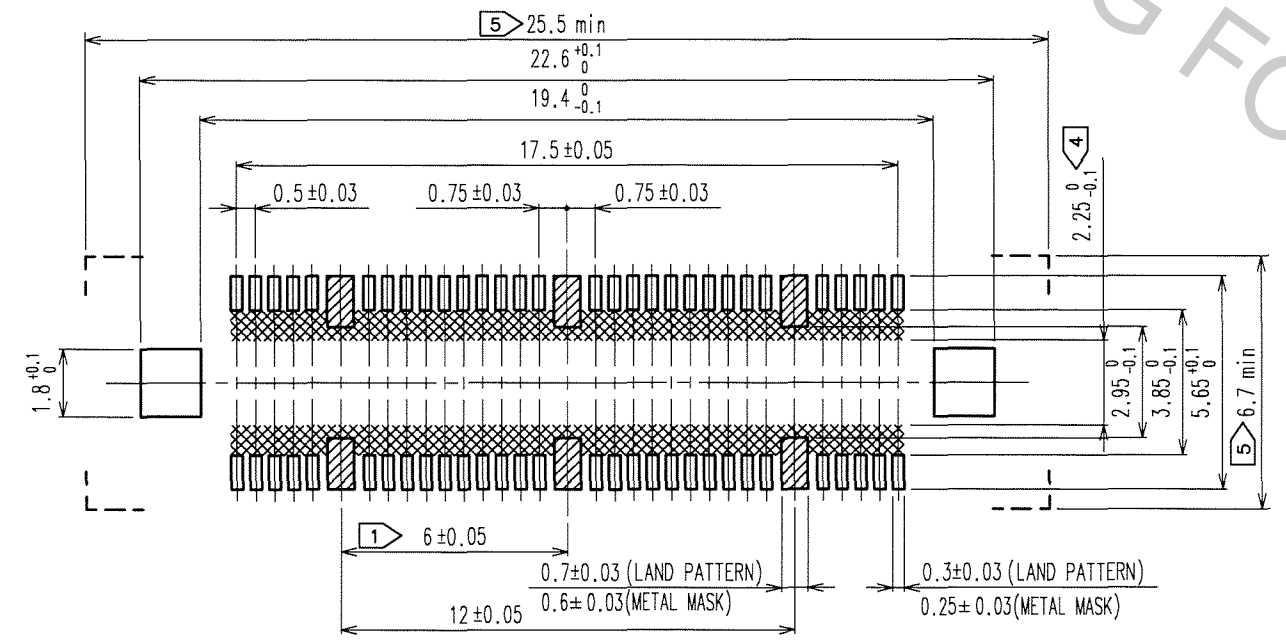
COUNT	DESCRIPTION OF REVISIONS	BY	CHKD	DATE	COUNT	DESCRIPTION OF REVISIONS	BY	CHKD	DATE
△					△				
△					△				
△					△				



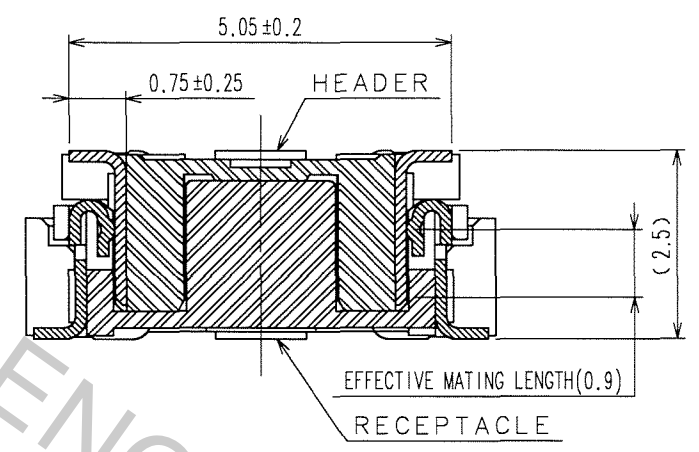
SIGNAL PORTION CROSS SECTION (10:1)



RECOMMENDED LAND PATTERN DIMENSION OF PCB



GROUND PORTION CROSS SECTION (10:1)



- NOTES
- ① 6 HATCHED PARTS:GROUND CIRUIT.
 - ② SMT LEAD-COPLANARITY:0.1 MAX.
 - ③ THIS PRODUCT HAS NO POLARITY TO PATTERN FOR MOUNTING.
 - ④ MAKE SURE WIDTH OF PATTERN IS WITHIN THAT OF LAND ,OR LEAD MAY TOUCH PATTERN.(THIS APPLIES TO HATCHED AREA.)
 - ⑤ DO NOT MOUNT OTHER DEVICES ONTO AREA ,OR MATING PAIR CANNOT BE MATED.
 - ⑥ THE DIMENSIONS IN PARENTHESES ARE FOR REFERENCE.

TO
PCK

3, 4	PHOSPHOR BRONZE	TIN-PLATING	2	COPPER ALLOY	CONTACT AREA:GOLD 0.1 μm min.
1	LCP	BEIGE UL94V-0			LEAD AREA:GOLD FLASH
					UNDER PLATING:NICKEL 1 μm min.
NO.	MATERIAL	FINISH, REMARKS	NO.	MATERIAL	FINISH, REMARKS
CODE NO. (COLD) CL			DRAWN	DESIGNED	CHECKED
			S.KAMIGA	<i>Nakamura</i>	<i>Uzawa</i>
			06.05.13	06.05.13	06.05.13
DRAWING NO. EDC3-152601-25			PART NO. FX11B-60P/6-SV(71)		
SCALE 5 : 1			CODE NO. CL573-0512-3-71		
UNITS mm			1/1		