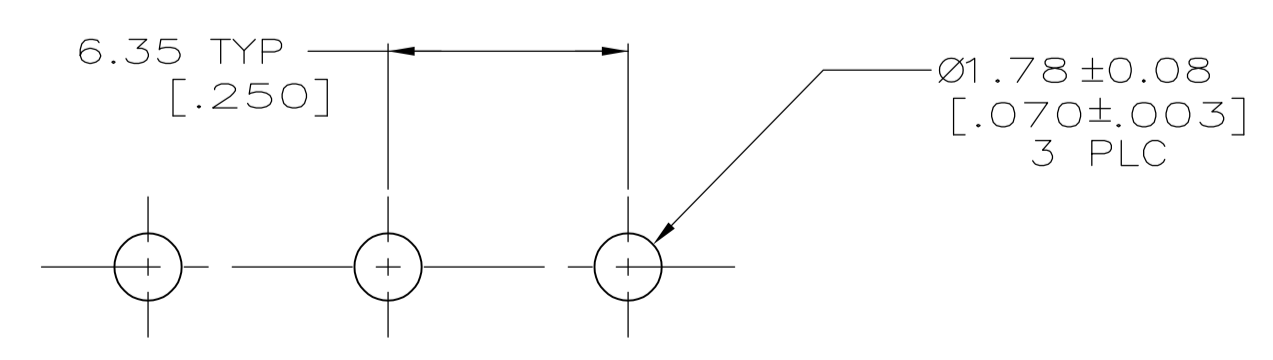
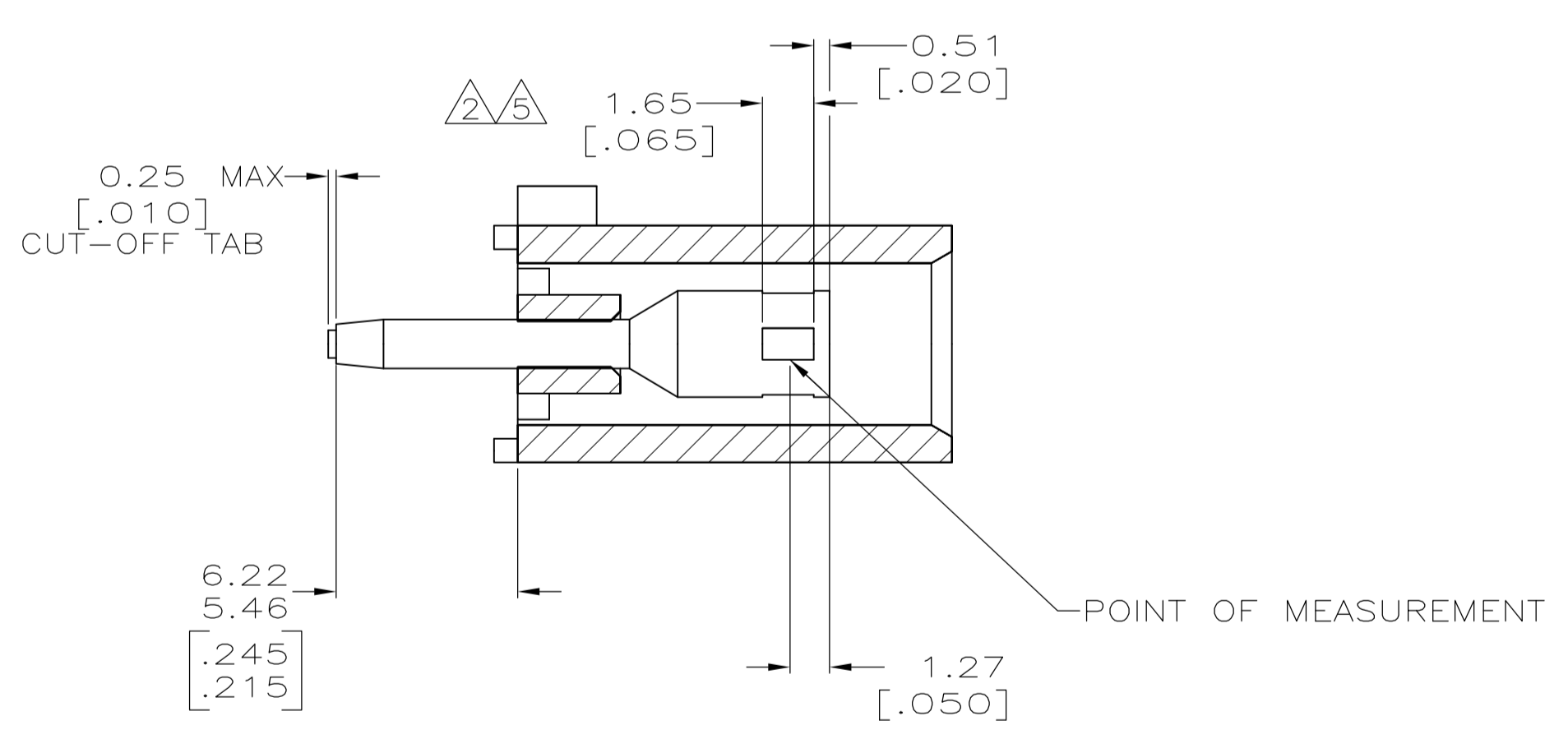
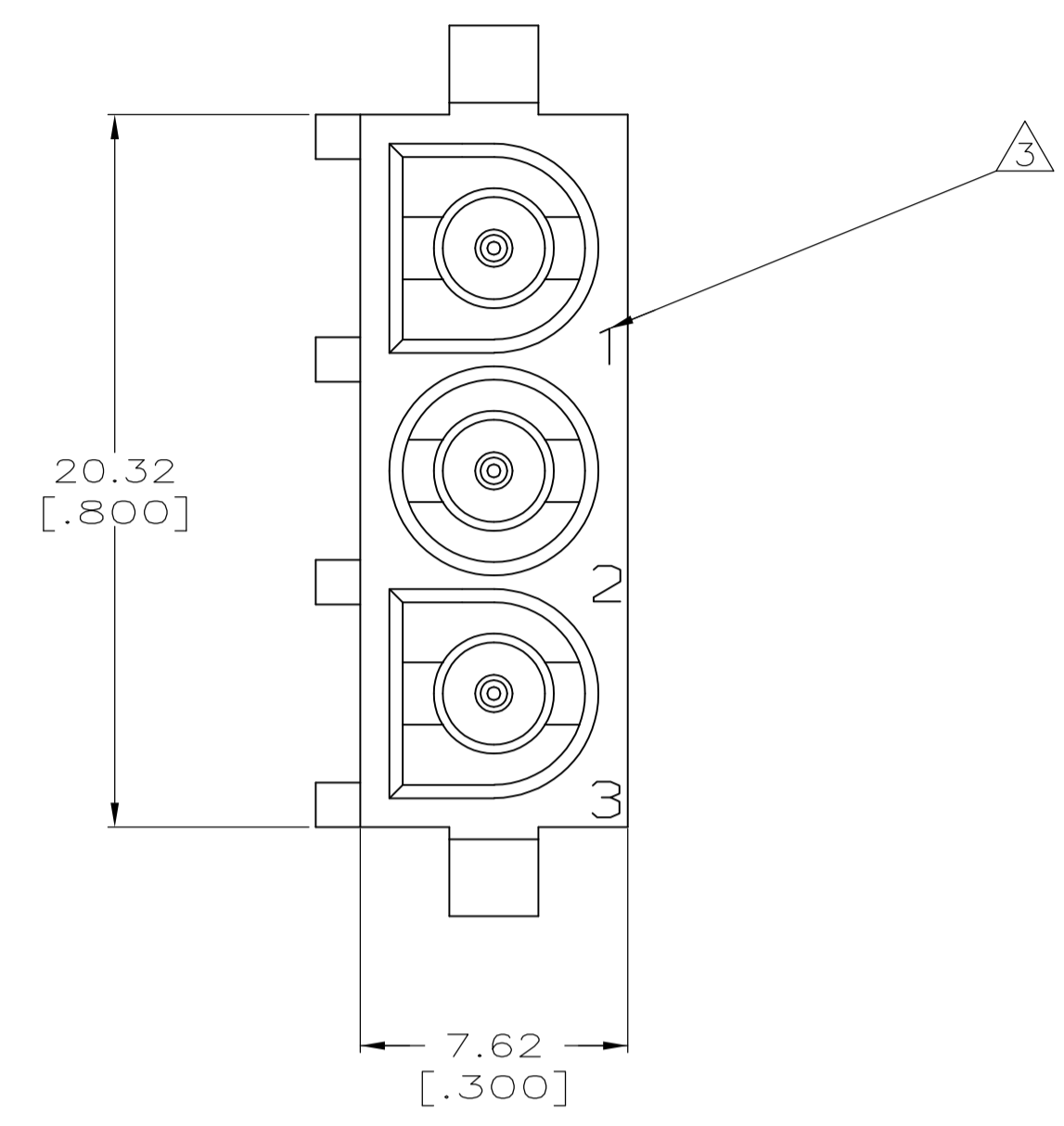
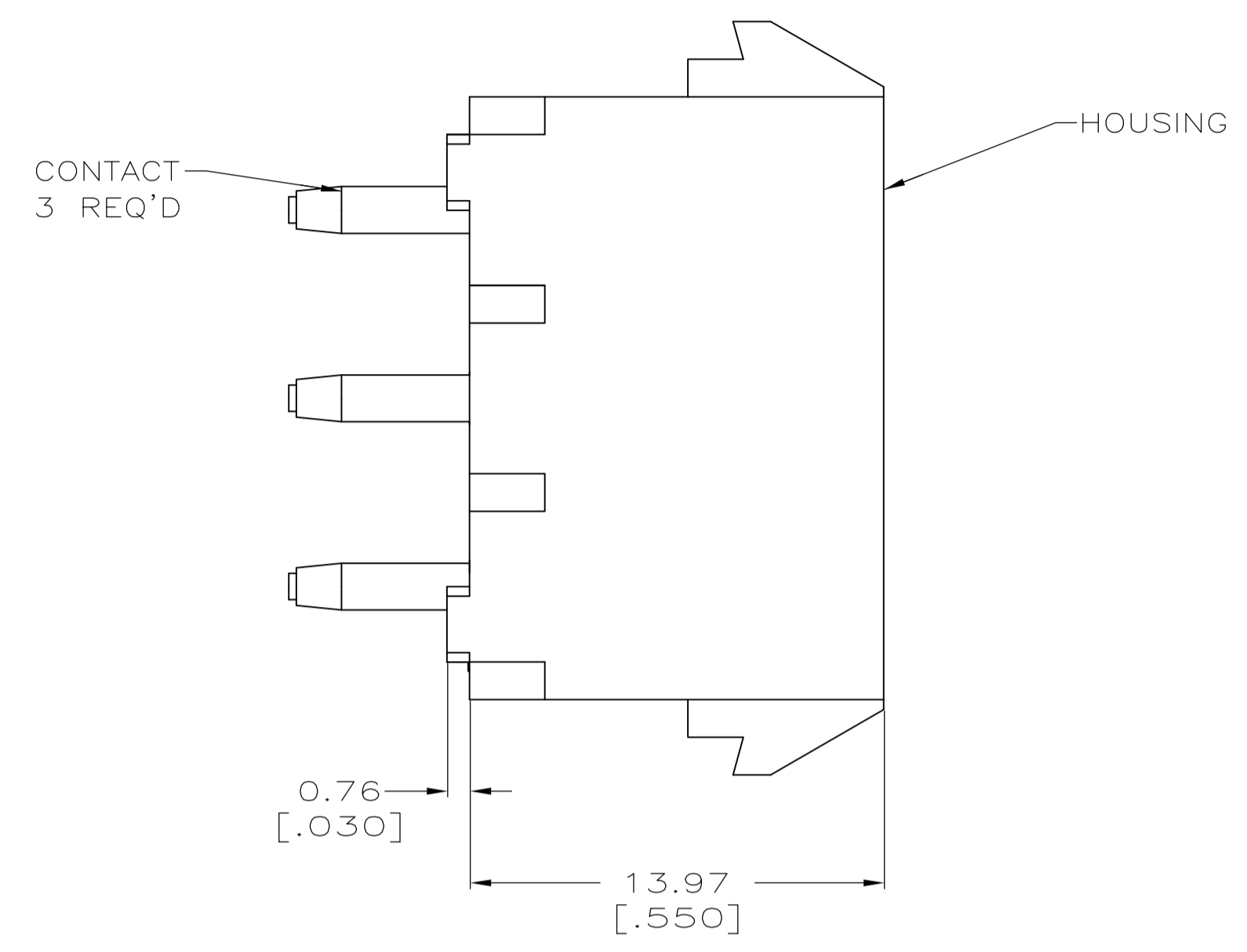
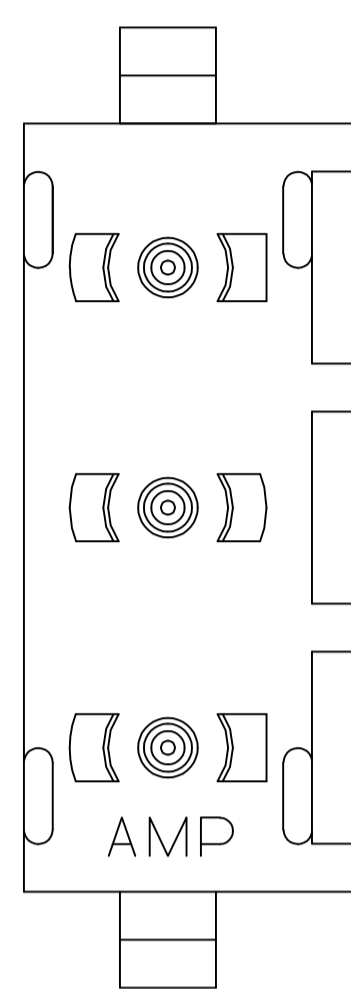
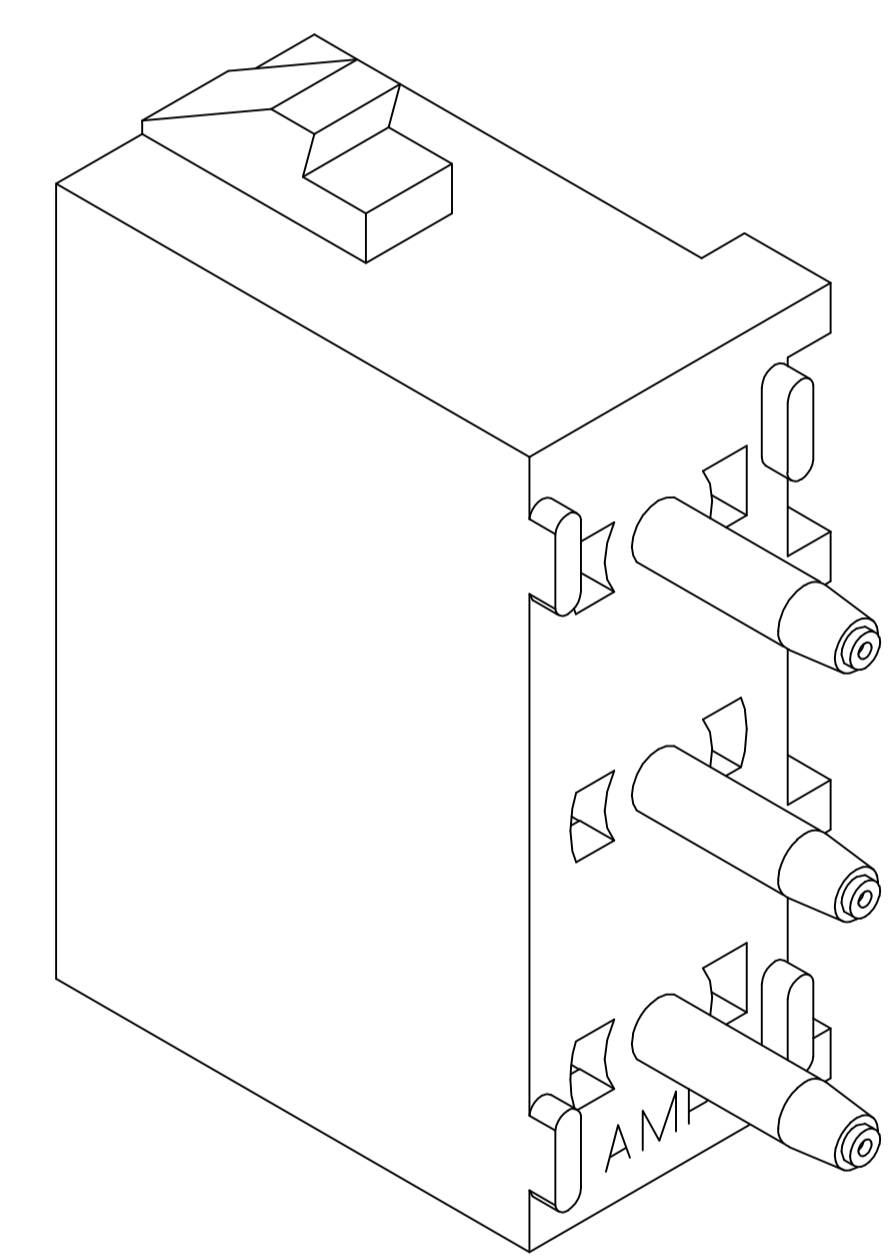


LOC		DIST		REVISIONS			
CM	00	REV	DATE	BY	APP'D	DATE	REV
M1		REVISED PER ECR-12-011660	28JAN13	KH	TM		

- 1 PARTS COMPLY TO AMP SOLDERABILITY SPECIFICATION 109-11-3.
- 2 CONTACT IS PLATED OVERALL WITH 0.00127 [.000050] NICKEL, THEN 0.00076 [.000030] GOLD OVER CONTACT LENGTH INDICATED AND MATTE TIN LEAD ON SOLDER TAIL END.
- 3 CIRCUIT IDENTIFICATION CHARACTERS ARE ADJACENT TO THE INDICATED CAVITIES, BUT LOCATION AND ORIENTATION MAY DIFFER FROM PRINT.
- 4 DIMENSIONS IN BRACKETS ARE IN INCHES.
- 5 CONTACT IS PLATED OVERALL WITH 0.00127 [.000050] NICKEL, THEN 0.00076 [.000030] GOLD OVER CONTACT LENGTH INDICATED AND MATTE TIN LEAD ON SOLDER TAIL END.
- 6 SUPERSEDED BY 350832-4



RECOMMENDED MOUNTING HOLE PATTERN FOR 3.18 [.125] THICK P.C. BOARD



3-DIMENSIONAL MODEL NTS

PHOSPHOR BRONZE, GOLD	NYLON, UL94V-0, WHITE	350832-4
PHOSPHOR BRONZE, GOLD	NYLON, UL94V-0, WHITE	350832-2
PHOSPHOR BRONZE, PRE-TIN	NYLON, UL94V-0, WHITE	350832-1
CONTACT MATERIAL AND FINISH	HOUSING MATERIAL	PART NUMBER

THIS DRAWING IS A CONTROLLED DOCUMENT.		DIN R LEWIS 8-19-98	TE Connectivity
DIMENSIONS: mm [INCHES]		CHK R SWING 8-19-98	
TOLERANCES UNLESS OTHERWISE SPECIFIED:		APP'D M TRULL 8-19-98	NAME
0 PLC ± -			SOCKET HEADER ASSEMBLY, 3 CIRCUIT
1 PLC ± -			UNIVERSAL MATE-N-LOK(TM)
2 PLC ± 0.13 [.005]			APPLICATION SPEC
3 PLC ± -			SIZE
4 PLC ± -			WEIGHT
ANGLES ± # 0°30'			SCALE
MATERIAL SEE TABLE	FINISH SEE TABLE	WEIGHT	CUSTOMER DRAWING
		SIZE A1	SCALE 5:1
		CAGE CODE 00779	SHEET 1 OF 1
		DRAWING NO. 350832	REV M1