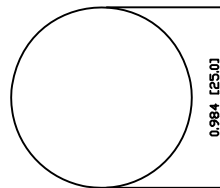
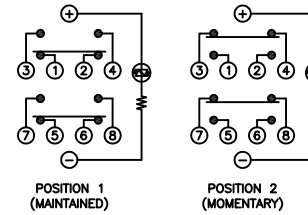


SUGGESTED PANEL CUTOUT



MAXIMUM PANEL THICKNESS: 0.394 [10.0mm]

SCHMATIC



POSITION 1 (MAINTAINED)

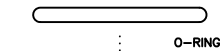
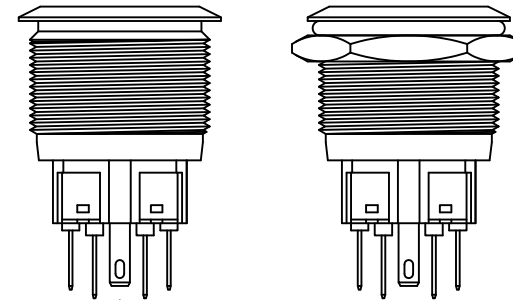
POSITION 2 (MOMENTARY)

SPECIFICATIONS

- FUNCTION:
2PNO OFF-(ON) + 2PNC ON-(OFF)
- RATING:
2A 48VDC
- ILLUMINATION VOLTAGE:
24V 20mA
- CONTACT RESISTANCE:
Initial: 50mΩ Max. at 1A 12VDC
- INSULATION RESISTANCE:
1,000MΩ Min. at 500VDC
- DIELECTRIC STRENGTH:
2,000VAC Min. for 1 Minute
- ELECTRICAL LIFE:
50,000 Cycles
- MECHANICAL LIFE:
1,000,000 Cycles
- TEMPERATURE:
Operating: -20°C to 70°C
- INGRESS PROTECTION:
IP65
- APPROVALS:
RoHS
COMPLIANT

MATERIALS

- BUSHING:
Stainless Steel (304)
- BASE:
Polyamide 6/6 (PA66)
- ACTUATOR:
Stainless Steel (304)
Polycarbonate (PC)
- HARDWARE:
Nickel Plated Brass (H59)
- SEALING:
Silicone Rubber
- INNER ASSEMBLY:
Polyamide 6/6 (PA66)
Polycarbonate (PC)
Polycyromethylene (POM)
Brass (H59)
Stainless Steel
Beryllium Copper
- SPRING:
Stainless Steel
- CONTACTS:
Silver/Cadmium Oxide (AgCdO)
- TERMINALS:
Brass
- O-RING:
Silicone Rubber
- COLORS AND FINISH
- BEZEL:
Stainless Steel
Machine Finish
- ACTUATOR:
Stainless Steel
Machine Finish
- ILLUMINATION:
Red (Forward)
Red (Reverse)
- MARKING:
None

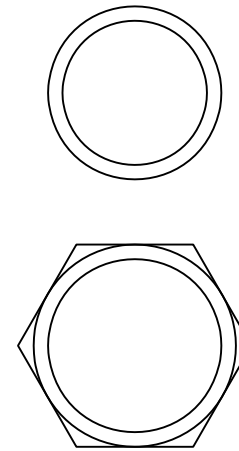


O-RING



HEX NUT

EXPLODED VIEW



ASSEMBLED VIEW

BODY	A	09/07/06	CAB
COLORS	A	09/07/06	CAB
MATERIALS	A	09/07/06	CAB
SPECIFICATIONS	A	09/07/06	CAB
REFERENCE	REV.	DATE	BY

THE INFORMATION CONTAINED IN THIS DOCUMENT IS PROPRIETARY TO E-SWITCH AND IS NOT TO BE COPIED OR TRANSFERRED

A	INITIAL RELEASE	19957	11/04/18	CAB
REV.	DESCRIPTION	PCR	DATE	DRAWN BY

DIMENSIONS	INCHES [MILLIMETERS]
GENERAL TOLERANCES	±0.008 [±0.2] / ±1'
SCALE	DRAWING NOT TO SCALE
PROJECTION	1st Angle

TITLE		
PV8F2V0SS-315		
ITEM NUMBER	DATE	REVISION
52-PV8F2V0SS315	APRIL 18, 2011	A