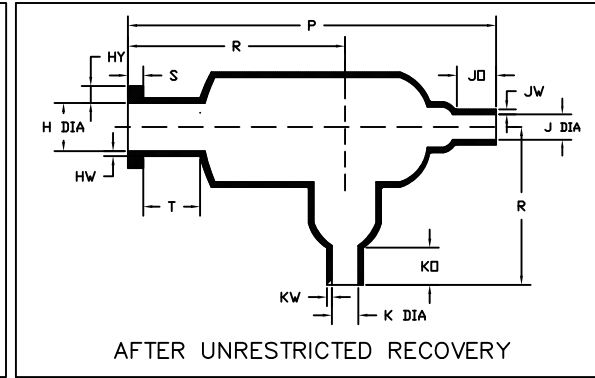
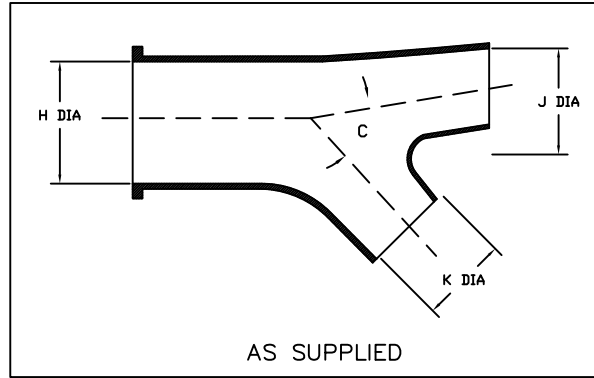


**NOTES**

- All dimensions are in  $\frac{\text{inches}}{\text{[millimeters]}}$
- Dimensions appearing in table are as follows:
  - a - As Supplied
  - b - After Unrestricted Recovery

REVISIONS		
LTR	DESCRIPTION	DATE
D	REVISED PER ECO-15-011773	08/13/2015



**ORDERING INFORMATION**

Base part number 322W214 -XX -0

Material dash number (See Compatibility Chart)

Color Designator

PART NUMBER	H		J		K		P	R	S	T	U	HY	HW	JO	JW	KO	KW	C' REF
	Min	Max	Min	Max	Min	Max												
	a	b	a	b	a	b												
322W214	1.30 [33,0]	.54 [13,7]	.79 [20,0]	.29 [7,4]	.79 [20,0]	.29 [7,4]	4.33 [110,0]	1.89 [43,0]	.20 [5,0]	.98 [25,0]	2.68 [68,0]	.22 [5,5]	.10 [2,5]	.43 [11,0]	.08 [2,0]	.43 [11,0]	.08 [2,0]	30

Raychem Molded Parts  
**CUSTOMER DRAWING**

If this document is printed it becomes uncontrolled. Check for the latest revision

COMPATIBILITY	CHART				
MATERIAL DASH NO.	MATERIAL DESCRIPTION	RT SPEC	COATING SLASH NO.	COATING S NO.	COATING DESCRIPTION
-12	FLUOROELASTOMER, FLEXIBLE	RT-1312; RK-6712			

THIS DRAWING AND THE INFORMATION SET FORTH HEREON ARE THE PROPERTY OF TYCO ELECTRONICS CORPORATION, AND ARE TO BE HELD IN TRUST AND CONFIDENCE. PUBLICATION, DUPLICATION, DISCLOSURE OR USE FOR ANY PURPOSE NOT EXPRESSLY AUTHORIZED IN WRITING BY TYCO ELECTRONICS CORPORATION IS PROHIBITED.

UNLESS OTHERWISE SPECIFIED DIMENSIONS ARE METRIC AND INCHES ARE IN BRACKETS. DECIMAL TOLERANCES xxx ± 0.13 (.005) xx ± 0.25 (.01) x ± 0.50 (.10) ANGLE TOLERANCE .x ± 5 DEG.	DRAWN <b>M. Mazariegos</b> 5/07/15	APPROVED <b>S. GRAVANO</b> 5/07/15	<b>TE Connectivity</b>
	RPN	TITLE <b>TRANSITION, 90°, SIDE BREAKOUT</b>	
CAD FILE: <b>322W214-12_CD</b>		THIRD ANGLE PROJECTION	SIZE <b>B</b> CODE IDENT. NO. <b>06090</b> DWG. NO. <b>322W214-12</b>
TYCO ELECTRONICS RESERVES THE RIGHT TO AMEND THIS DRAWING AT ANY TIME. USERS SHOULD EVALUATE THE SUITABILITY OF THE PRODUCT FOR THEIR APPLICATION.		© 2011-2015 Tyco Electronics Corporation. All rights reserved.	DO NOT SCALE THIS DRAWING SHEET 1 OF 1