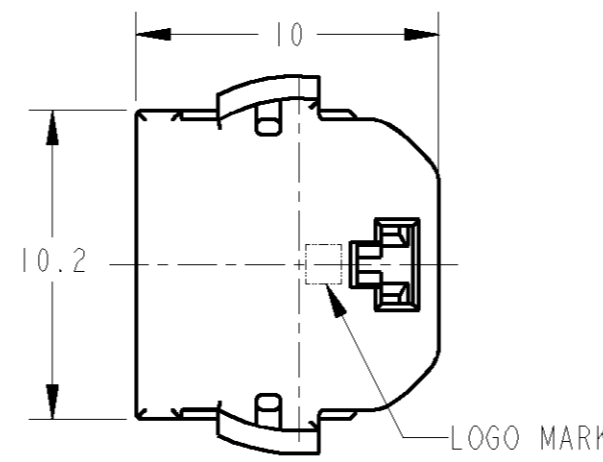
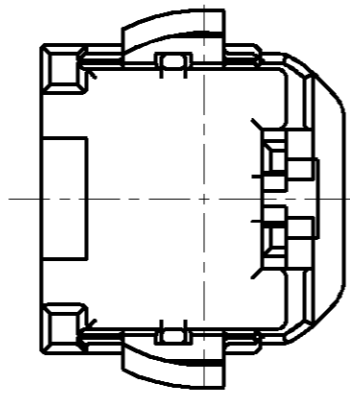
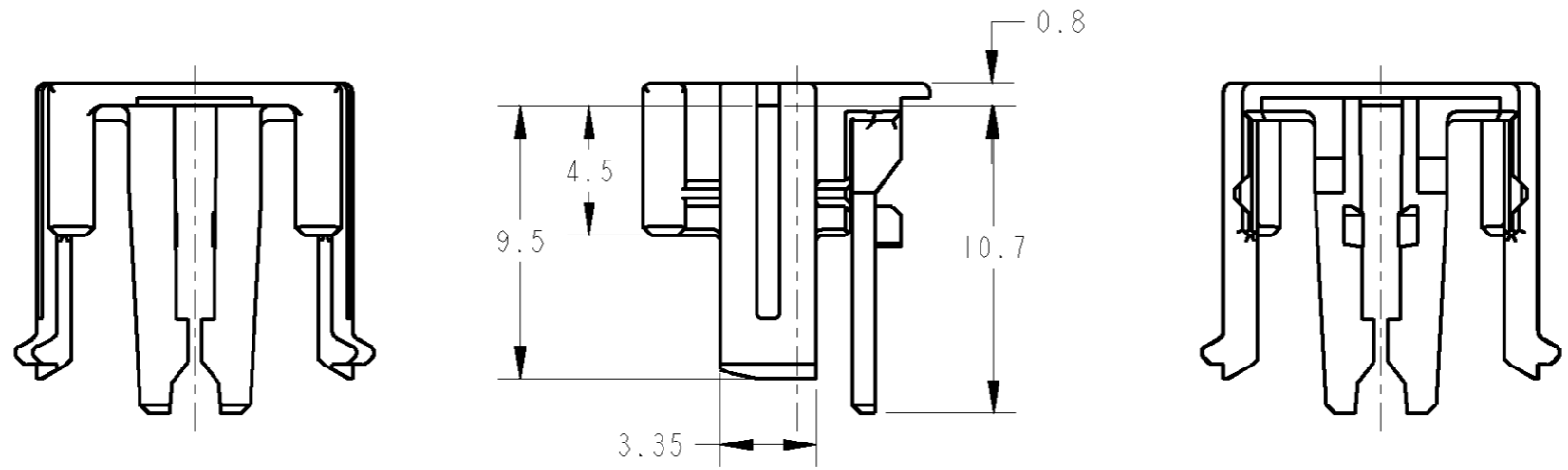


THIS DRAWING IS UNPUBLISHED. RELEASED FOR PUBLICATION 20
 © COPYRIGHT 20 BY TYCO ELECTRONICS CORPORATION. ALL RIGHTS RESERVED.

LOC	DIST	REVISIONS						
		P	LTR	DESCRIPTION	ECN	DATE	DWN	APVD
J	-		0	RELEASED	FJ00-0784-02	15APR02	ES	NS
			A	REVISED	ECR-10-007856	14APR10	TS	KB



-1:AS SHOWN
 -1:本図



1. THIS PRODUCT SHOULD BE USED WITH THE IIDIA SQUIB CONNECTOR SLIM TYPE PLUG HOUSING (P/N: 1612120).
 2. INSTRUCTION SHEET: 411-78040.
1. 本製品は、IIDIA SQUIB CONNECTOR SLIM TYPE PLUG HOUSING (P/N: 1612120)を装着して使用する。
 2. 取扱説明書: 411-78040

<small>THIS DRAWING IS A CONTROLLED DOCUMENT FOR TYCO ELECTRONICS CORPORATION IF IS SUBJECT TO CHANGE AND THE CONTROLLING ENGINEERING ORGANIZATION SHOULD BE CONTACTED FOR THE LATEST REVISION.</small>		DWN E. SASAKI 15APR02 CHK T. KOHNO 15APR02 APVD N. SAI 15APR02		Tyco Electronics Corporation Kawasaki, Japan	
DIMENSIONS: 単位: 概 mm		TOLERANCES UNLESS OTHERWISE SPECIFIED: ±0.2 0-PLC ± 1-PLC ±0.1 2-PLC ±0.01 3-PLC ±0.001 4-PLC ±0.0001 ANGLES ±1.00'		NAME 名称 IIDIA SQUIB CONNECTOR SLIM TYPE MK-11 LOCKING BUTTON	
		PRODUCT SPEC 製品規格 108-5818		SIZE CAGE CODE DRAWING NO 番号 A3 00779 C=C-1612119	
MATERIAL 材料 PBT G30		FINISH 仕上 BLACK		WEIGHT 0.2 g	
CUSTOMER DRAWING				SCALE 4:1 SHEET OF REV A	