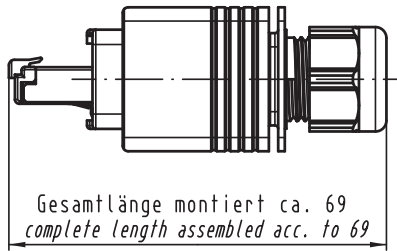
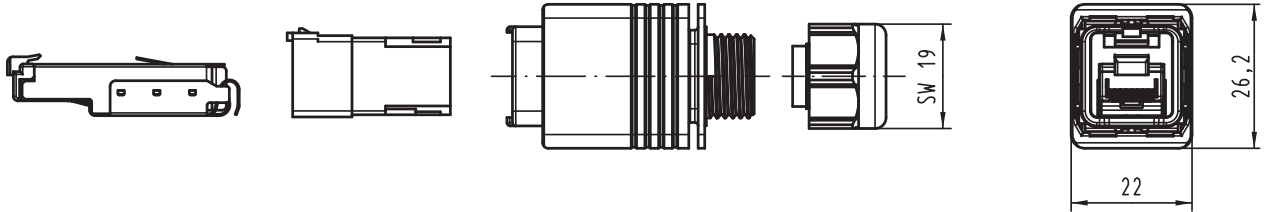
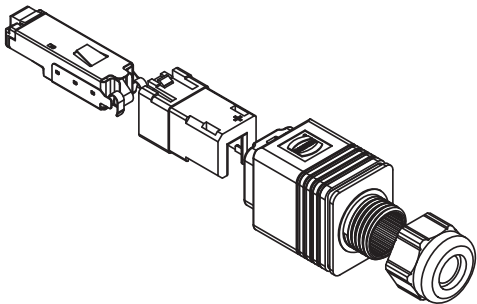




Alle Rechte vorbehalten/ All rights reserved



Gesamtlänge montiert ca. 69
complete length assembled acc. to 69



|  All Dimensions in mm Original Size DIN A 4 | | | Techn. Character. | | | Nicht tolerierte Maß/Free size tolerances | | | | | | |
|---|----------|-------|-----------------------------------|----------|---------------|---|--|-----|--------------------------|--|--|--|
| | | | Dat. | Name | Maßstab/Scale | Han PushPull RJ45 gigalink, white | | | | | | |
| | | | Detail. | 30.04.08 | | | | Ho | TB 09 35 223 0421 | | | |
| | | | Insp. | | | | | Sch | | | Blatt/ page  | |
| 36498 | 15.03.12 | Hage. | Stand. | | | | | | | | | |
| 35946 | 11.12.09 | hsv | | | | | | | | | | |
| 413830 | | | HARTING Electronics GmbH & Co. KG | | | | | | | | | |
| Mod. | Dat. | Name | D-32339 ESPELKAMP | | | | | | | | | |