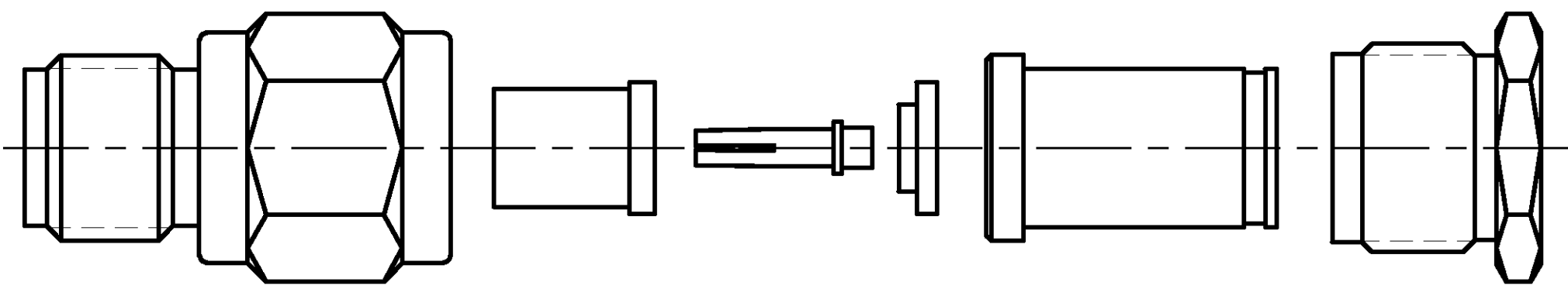


THIS DRAWING IS UNPUBLISHED. RELEASED FOR PUBLICATION N/A, N/A  
 © COPYRIGHT N/A BY TYCO ELECTRONICS CORPORATION. ALL RIGHTS RESERVED.

LOC	DIST	REVISIONS			
P	LTR	DESCRIPTION	DATE	DWN	APVD
DF	XO	O	RELEASED	11-02	JMK JL

COMPONENT	MATERIAL	FINISH
HOUSING CLAMP NUT	STAINLESS STEEL PER ASTM-A-484 OR ASTM-A-582 TYPE 303	PASSIVATED PER ASTM-A-380
DIELECTRIC	PTFE FLUORCARBON PER ASTM-D-1457	-
INNER SLEEVE	BRASS PER ASTM-B-16 HALF HARD	GOLD PLATED PER ASTM-B-488
CENTER CONTACT	BERYLLIUM COPPER PER ASTM-B-194 ALLOY C17200, CONDITION H	GOLD PLATED PER ASTM-B-488
-	-	-
-	-	-
-	-	-
-	-	-
-	-	-
-	-	-



AS SHIPPED TO CUSTOMER

ENVIRONMENTAL

TEMPERATURE RATING: -65°C TO +165°C

VIBRATION: MIL-STD-202, METHOD 204, CONDITION D

SHOCK: MIL-STD-202, METHOD 213, CONDITION 1

MOISTURE RESISTANCE: MIL-STD-202, METHOD 106

CORROSION: MIL-STD-202, METHOD 101, CONDITION B. 5% SALT SPRAY

THERMAL SHOCK: MIL-STD-202, METHOD 107, CONDITION B EXCEPT HIGH TEMP 115°C

MECHANICAL

INTERFACE DIMENSIONS: MIL-STD-348A FIG. 310.2

RECOMMENDED MATING TORQUE: 7-10 IN-LBS

FORCE TO ENGAGE & DISENGAGE (IN-LBS MAX): 2.0

WEIGHT (GRAMS): TBD

MATING CHARACTERISTICS:

INSERTION (MAX LBS)	2
WITHDRAWAL (MIN OZ)	1

CABLE RETENTION:

AXIAL FORCE (LBS)	60 MIN
TORQUE (IN-OZ)	55.0

CENTER CONTACT CAPTIVATION:

AXIAL (LBS)	6.0
RADIAL (IN-OZ)	N/A

ELECTRICAL

NORMAL IMPEDANCE (OHMS): 50

FREQUENCY RANGE (GHz): DC TO 18

VOLT RATING @ SEA LEVEL (VRMS MAX): 500

VSWR: 1.05+0.01f(GHz)

INSERTION LOSS: (dB MAX): .03 √f(GHz)

RF LEAKAGE (dB MIN): -90 @ 2-3 GHz

CORONA 70,000 FT (VRMS MIN): 375

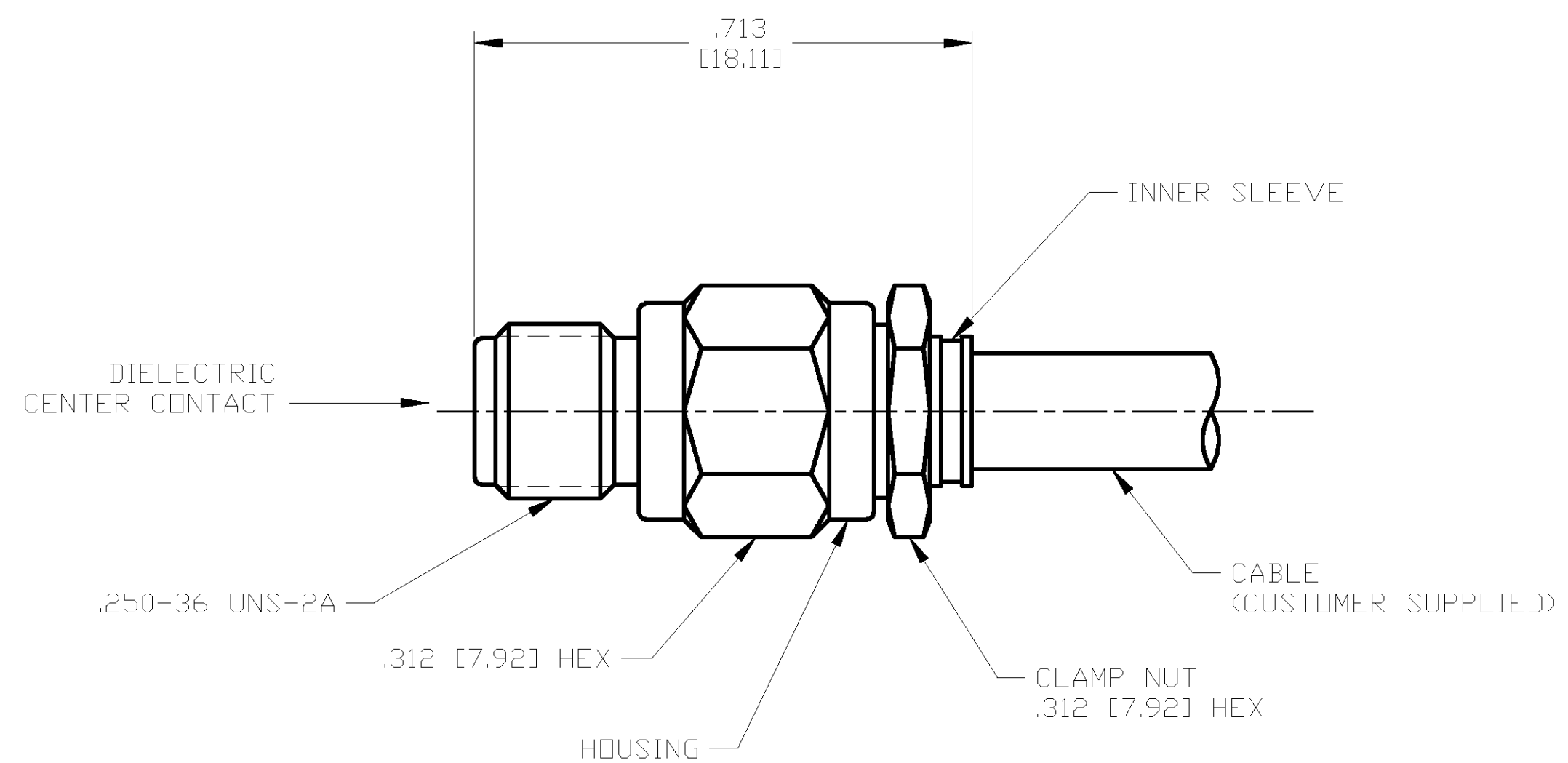
DIELECTRIC WITHSTANDING VOLTAGE (VRMS MIN) AT SEA LEVEL: 1500

I.R. (MEGOHMS MIN): 5,000

RF HIGH POTENTIAL AT SEA LEVEL (VRMS MIN @ 5 MHz): 1000

CONTACT RESISTANCE (MILLIOHMS MAX):

CENTER CONTACT:	3.0
OUTER CONTACT:	2.0
CABLE TO HOUSING:	0.5



ASSEMBLED VIEW

DESIGNED TO USE RG-402/U OR EQUIVALENT CABLE ENTRY DIAMETER MIN	HOUSING: N/A
CONTACT: .040 [1.02]	CLAMP NUT: N/A
SLEEVE: .145 [3.68]	-

THIS DRAWING IS A CONTROLLED DOCUMENT.	
DIMENSIONS: INCHES [mm]	TOLERANCES UNLESS OTHERWISE SPECIFIED:
0 PLC ± -	1 PLC ± -
2 PLC ± -	3 PLC ± .005 [0.13]
4 PLC ± -	ANGLES ± -
MATERIAL SEE TABLE	FINISH SEE TABLE

DWN J. KAISER 10/09/02	<p>Tyco Electronics Corporation Harrisburg, PA 17105</p>
CHK J. LIPPERT 11-20-02	
APVD J. LIPPERT 11-20-02	
PRODUCT SPEC	NAME SMA STRAIGHT CABLE JACK-SOLDER CLAMP ATTACHMENT (M39012/81-3008) CAT E
APPLICATION SPEC	SIZE A2
408-4837	CAGE CODE 00779
WEIGHT TBD	DRAWING NO 1050931
CUSTOMER DRAWING	RESTRICTED TO -
SCALE 5:1	SHEET 1 OF 1
REV 0	

1050931

1050931-1  
PART NO.