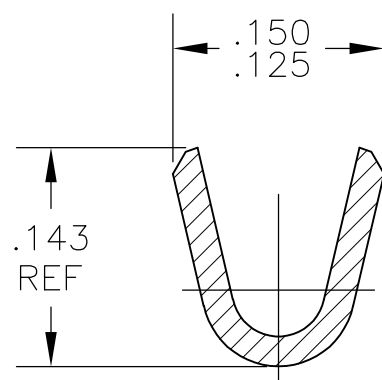
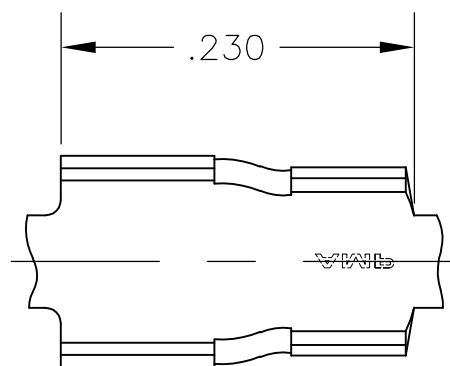


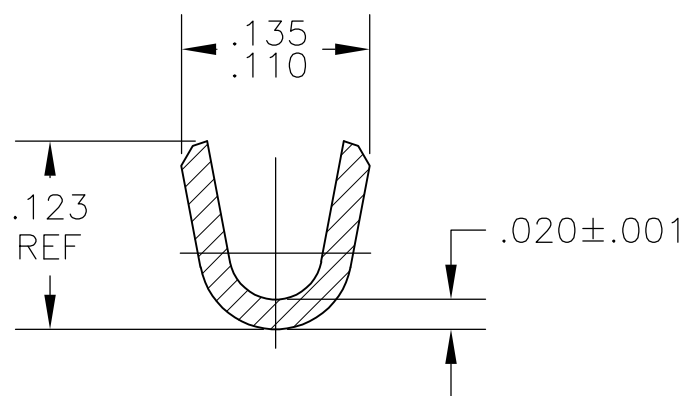
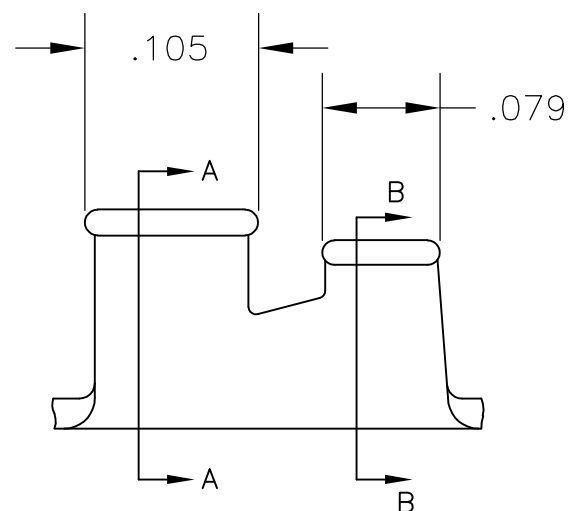
THIS DRAWING IS UNPUBLISHED. RELEASED FOR PUBLICATION
 © COPYRIGHT - BY TYCO ELECTRONICS CORPORATION. ALL RIGHTS RESERVED.

| LOC | DIST | REVISIONS | | | |
|-----|------|-------------|---------------------------|---------|--------|
| P | LTR | DESCRIPTION | DATE | DWN | APVD |
| AF | 50 | A2 | REVISED PER ECR-07-031119 | 28DEC07 | HMR GP |

- 1 WIRE RANGE 1200 - 2200 CMA
- 2 INSULATION RANGE: .070 - .100 DIA
- 3 PRODUCT PROVIDED IN STRIP FORM ON REELS; BREAKS MAY BE PRESENT.



SECTION A-A



SECTION B-B

| | | | |
|----------|--------------------|------------------|---------|
| | .000100 MIN NICKEL | TEMP 3 C.R.STEEL | 62503-2 |
| OBSOLETE | NONE | TEMP 1 BRASS | 62503-1 |
| | FINISH | MATERIAL | PART NO |

| | | | | |
|--|---|-------------------------------|---|--------------------|
| THIS DRAWING IS A CONTROLLED DOCUMENT. | | DWN RAGHAVENDRA 15DEC06 | Tyco Electronics Corporation Harrisburg, PA 17105-3608 | |
| DIMENSIONS: INCHES | TOLERANCES UNLESS OTHERWISE SPECIFIED: | CHK G.D.PORTA 04JAN07 | NAME | |
| | 0 PLC ± - | APVD G.D.PORTA 04JAN07 | SPLICE | |
| | 1 PLC ± - | PRODUCT SPEC | - | |
| | 2 PLC ± - | APPLICATION SPEC | - | |
| | 3 PLC ± .010 | WEIGHT | SIZE A3 | CAGE CODE 00779 |
| | 4 PLC ± - | | DRAWING NO G-62503 | RESTRICTED TO |
| | ANGLES ± - | | | |
| MATERIAL SEE TABLE | FINISH SEE TABLE | CUSTOMER DRAWING | | SCALE 8:1 |
| | | | | SHEET 1 OF 1 |
| | | | | REV A2 |